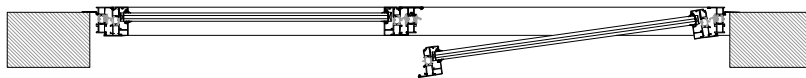
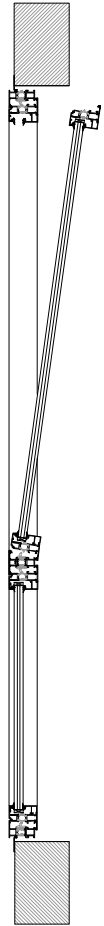
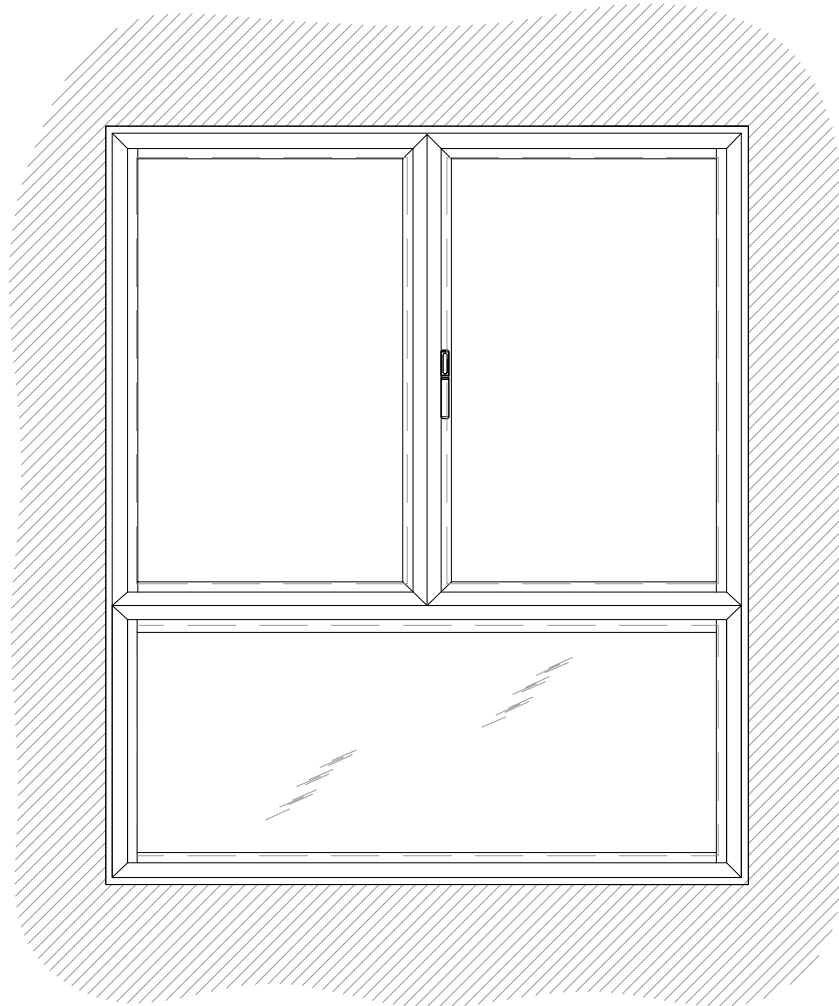


ALL ALUMINUM WINDOWS THERMALLY BROKEN



3415 BELLINGTON RD N. LAS VEGAS, NV 89030
PANDA@PANDA-WINDOWS.COM

WWW.PANDA-WINDOWS.COM

PHONE: (702) 643-5700
FAX: (702) 643-5715

ALL ALUMINUM WINDOWS THERMALLY BROKEN

CONTENTS

1. TECHNICAL DESCRIPTION
2. TYPOLOGY
3. FIXED
4. INSWING
5. TILT & TURN
6. OUTSWING
7. HORIZONTAL COMBINATION
8. VERTICAL COMBINATION



3415 BELLINGTON RD N. LAS VEGAS, NV 89030
PANDA@PANDA-WINDOWS.COM WWW.PANDA-WINDOWS.COM

PHONE: (702) 643-5700
FAX: (702) 643-5715

DRAWINGS AND LAYOUT BY
SHAWN M. HORNER
MMVIII

Panda thermally broken all aluminum windows are designed to meet the needs of a wide variety of projects. From luxury custom homes and condominiums to world class resorts and hotels their sleek European design offers a contemporary look for the modern age.

SYSTEM:

The system contains $\frac{15}{16}$ " polyamide thermal break bars which form a closed frame between the top track, bottom track and side profiles. This system provides a superior thermal insulation and U-factor over the standard all aluminum window system.

PROFILES:

Panda thermally broken all aluminum windows are made of 6063-T5 extruded aluminum and can be finished in either powder coat (standard), Kynar or anodize.

OPERATION:

These European style windows are available with Tilt & Turn (inswing), Casement (inswing or outswing), Awning, Hopper and Fixed operations. For Sliding operation refer to the 9000 Series Slider. Also available in angled (e.g. 90 degree and 45 degree) and radius configurations (3 foot minimum radius). These operations can be combined to create multi-operational window sets.

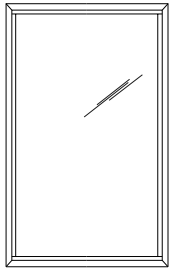
GLAZING:

Almost any type of glass is available upon request, from the standard Clear Low-E Tempered 1" IG to single pane Butt Glazed to laminated impact glass. These windows have the flexibility to meet the needs of each unique project.

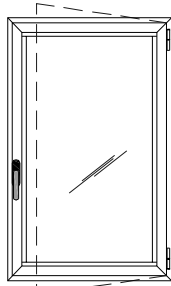
SECURITY:

All operating windows have a stainless steel multi-point locking system standard for increased security over a single point locking mechanism. The Tilt & Turn window offers ventilation when in the Tilt position while sill providing intruder resistance.

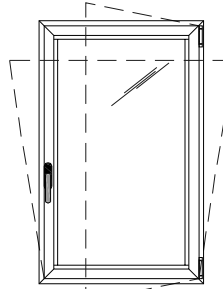
COMMON CONFIGURATIONS



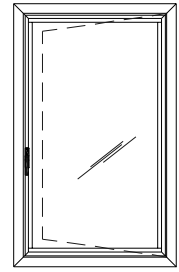
- FIXED



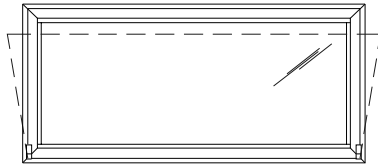
- INSWING



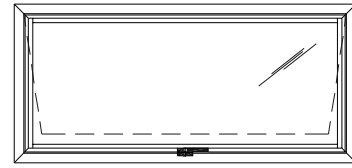
- TILT & TURN



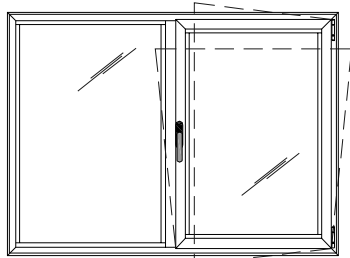
- OUTSWING



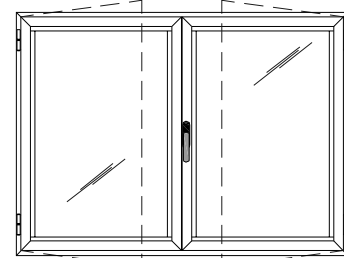
- HOPPER
(IN or OUTSWING)



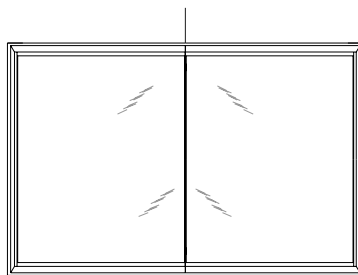
- AWNING
(IN or OUTSWING)



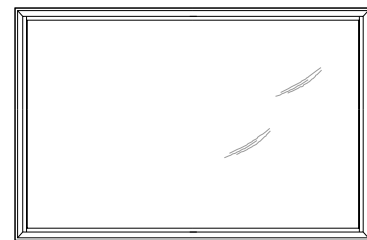
- FIX WITH OPERABLE



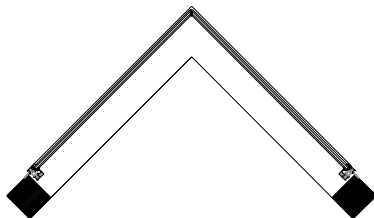
- DOUBLE OPERABLE

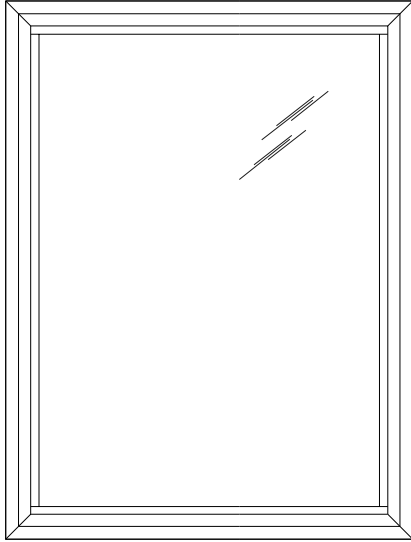


- FIXED BUTT GLASS UNITS
MOST ANGLES AVAILABLE

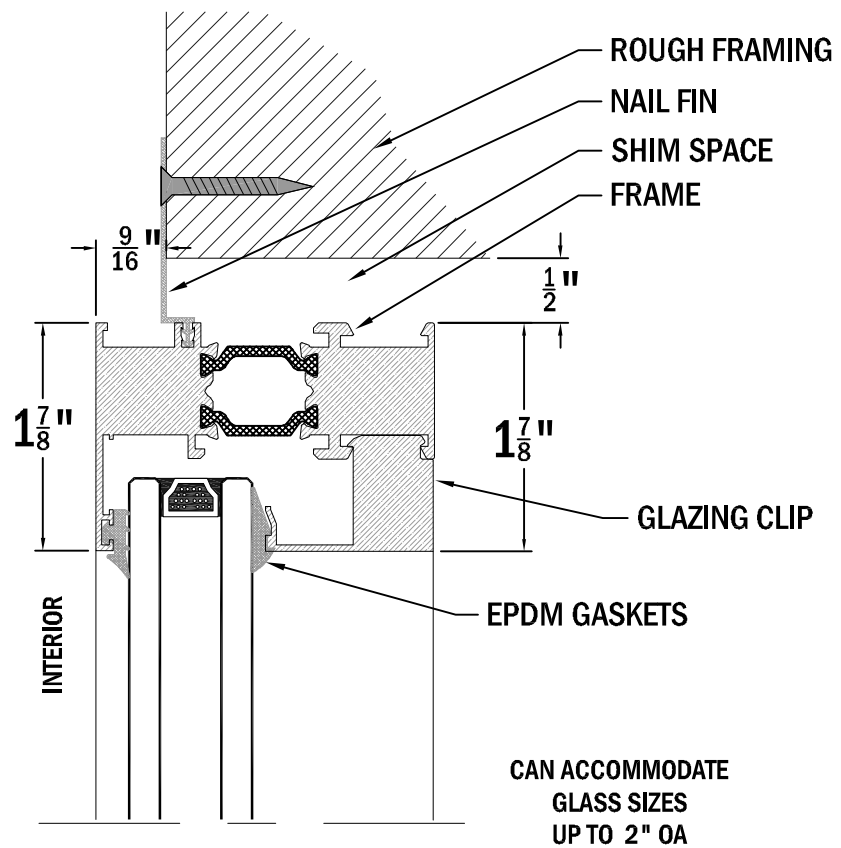


- RADIUS FIXED UNITS
MIN. RADIUS OF 36"

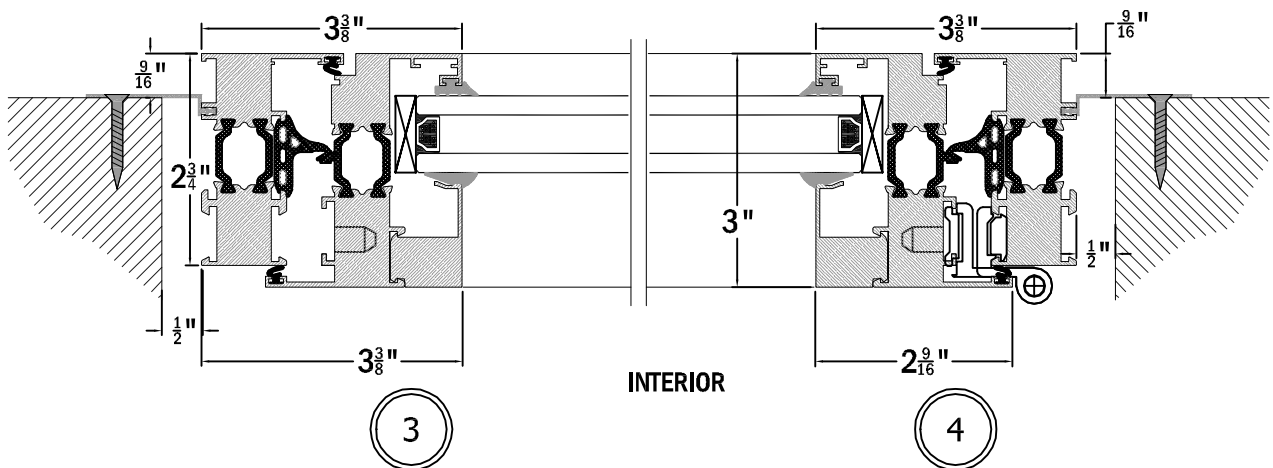
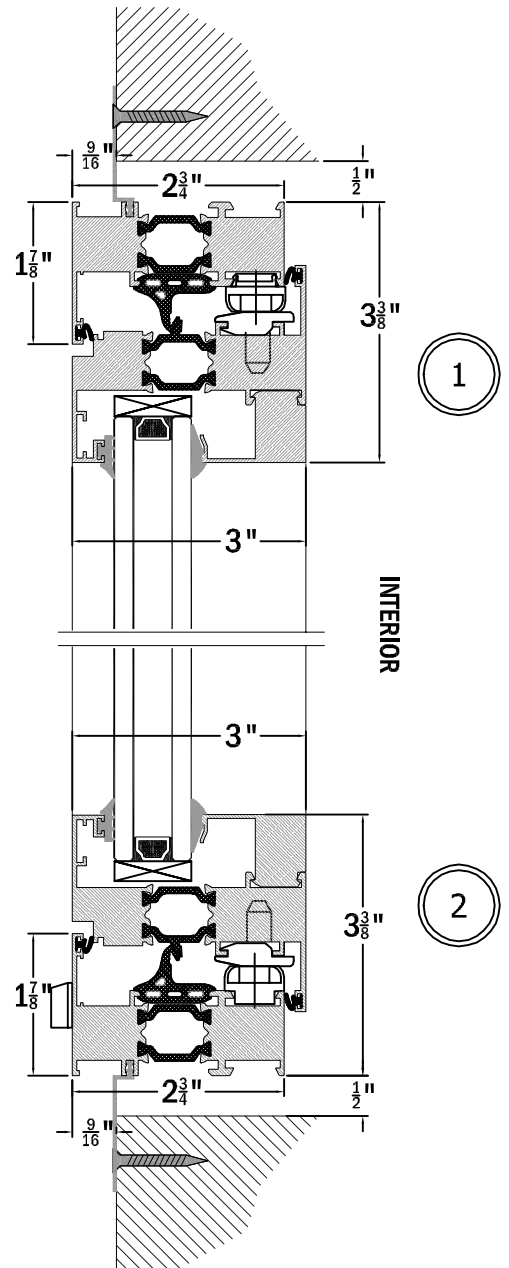
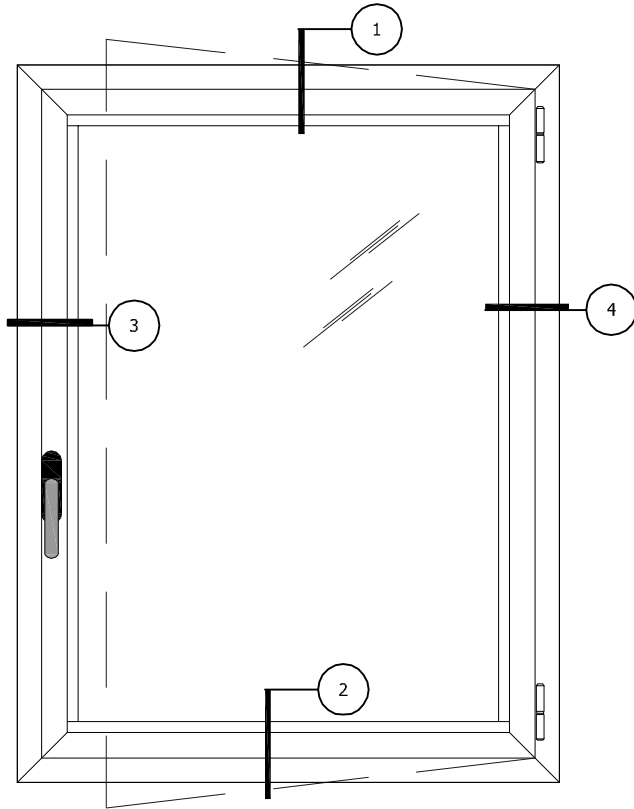




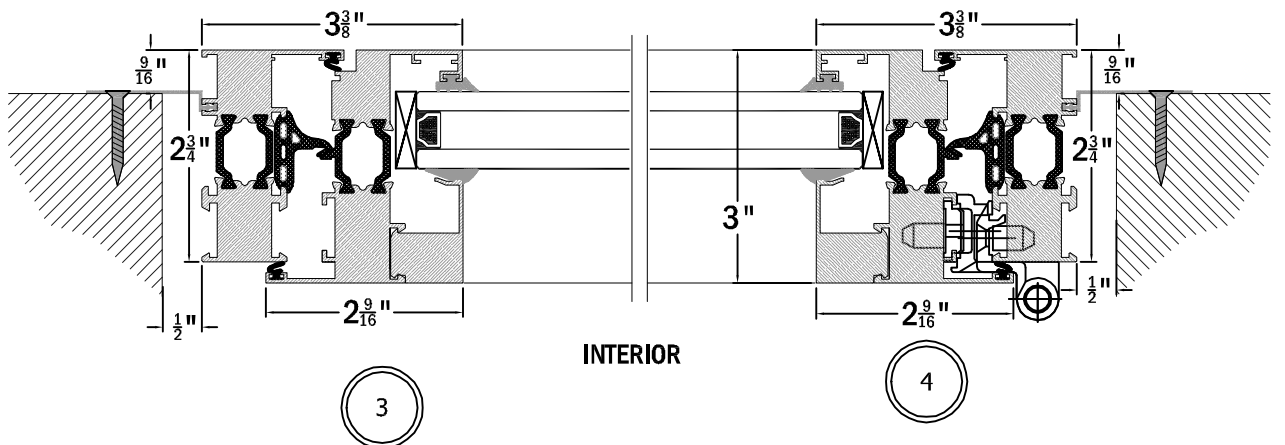
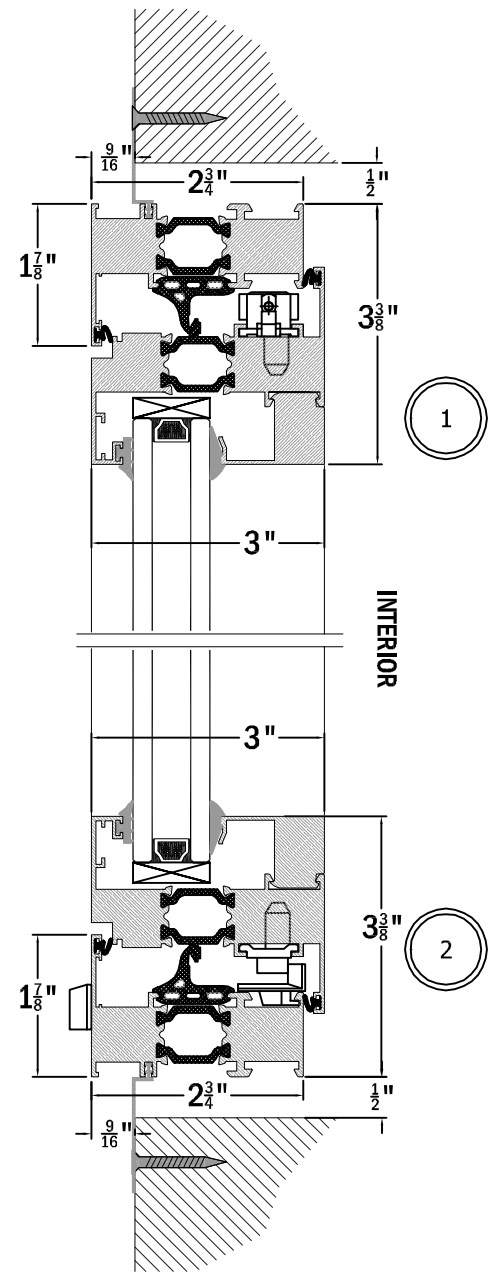
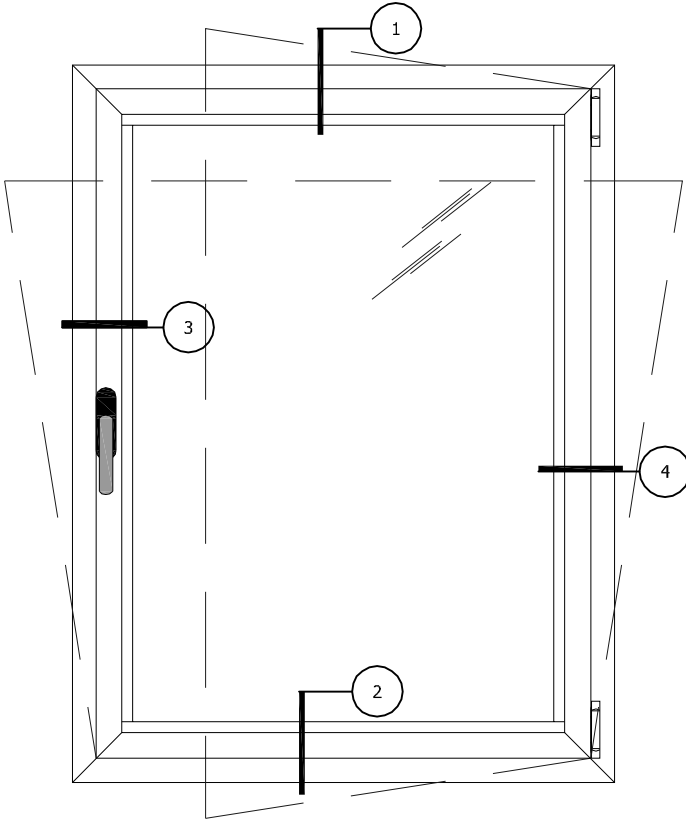
**PANDA OFFERS THERMALLY
BROKEN OPTIONS TO
ACCOMMODATE MOST ANY
BUILDING APPLICATION**



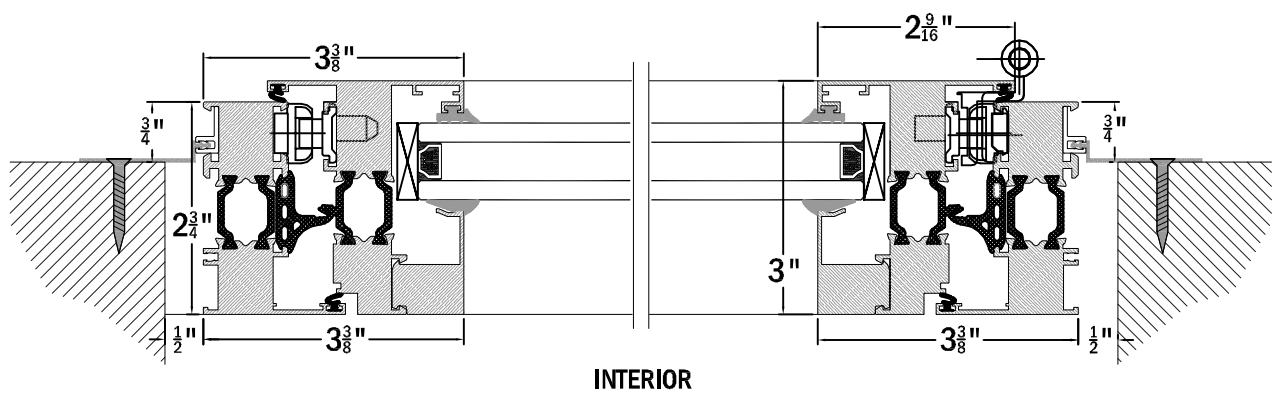
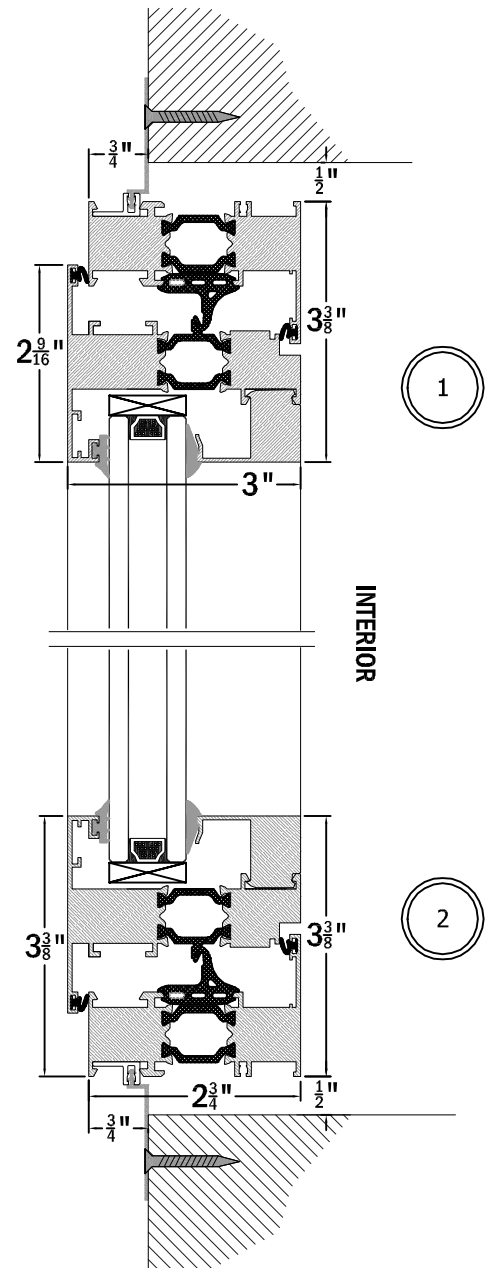
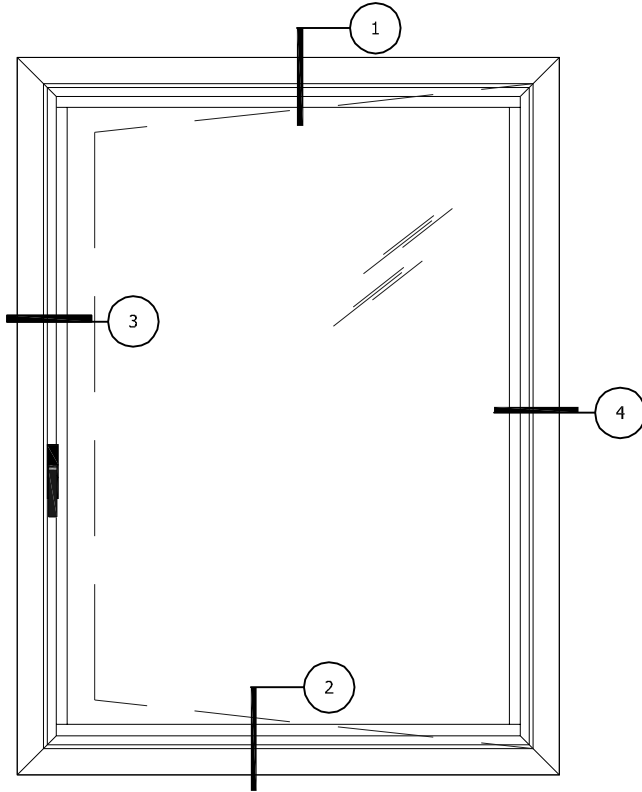
THERMALLY BROKEN FRAME



| | | |
|---|----------------|---|
|  | INSWING | |
| | WINDOWS TB | 4 |



TILT & TURN
 WINDOWS TB | 5

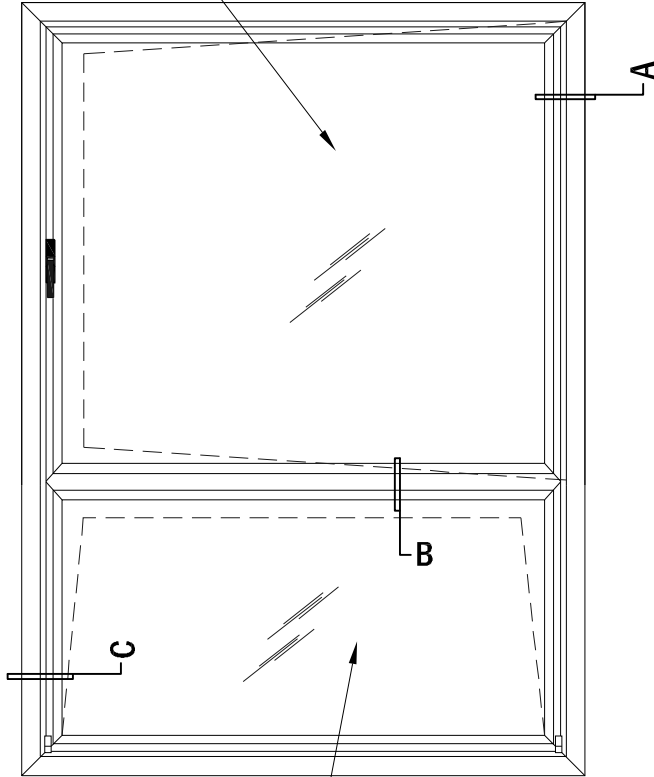


3

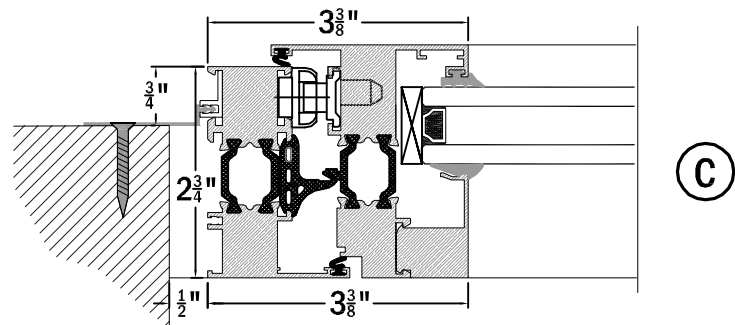
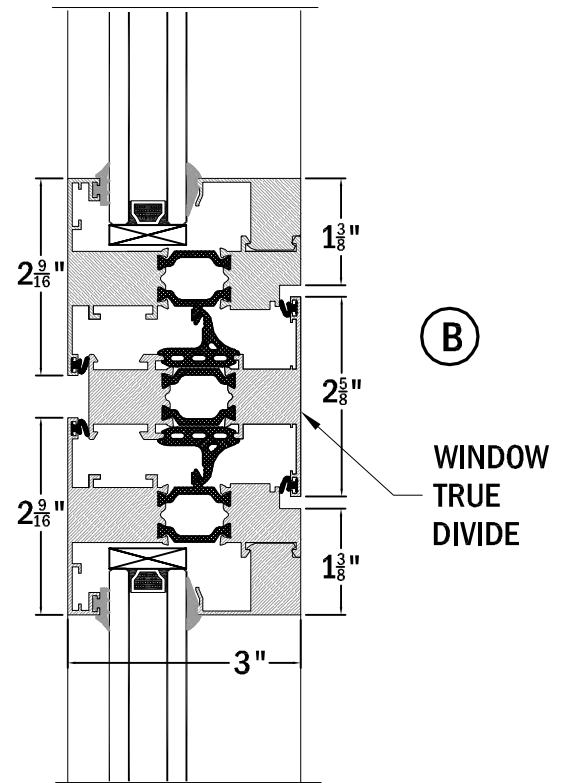
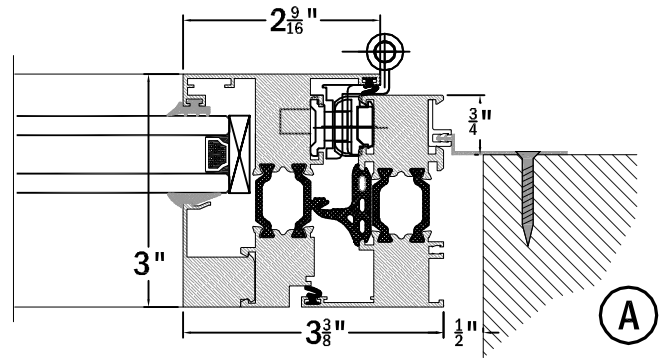
4

| | | |
|---|-----------------|---|
|  | OUTSWING | |
| | WINDOWS TB | 6 |

OUTSWING WINDOW



OUTSWING HOPPER

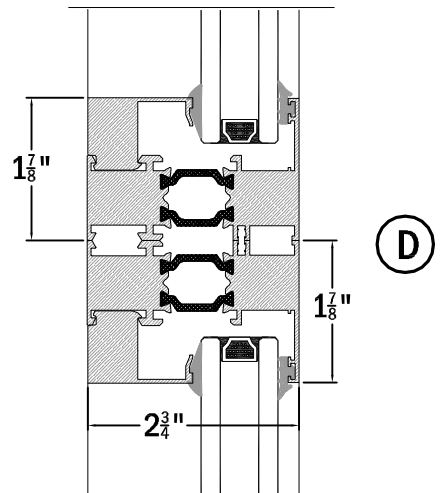
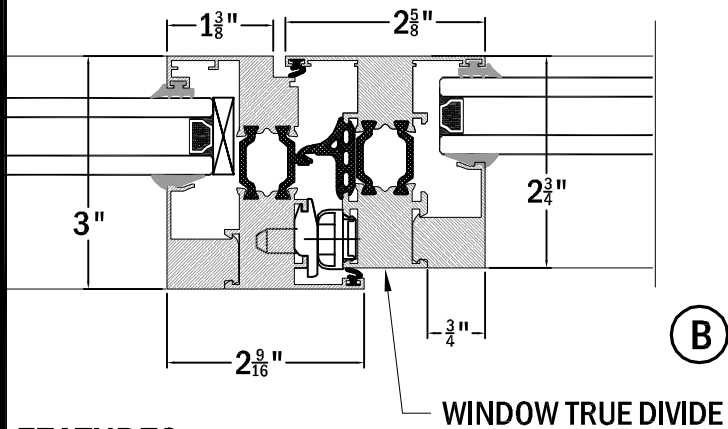
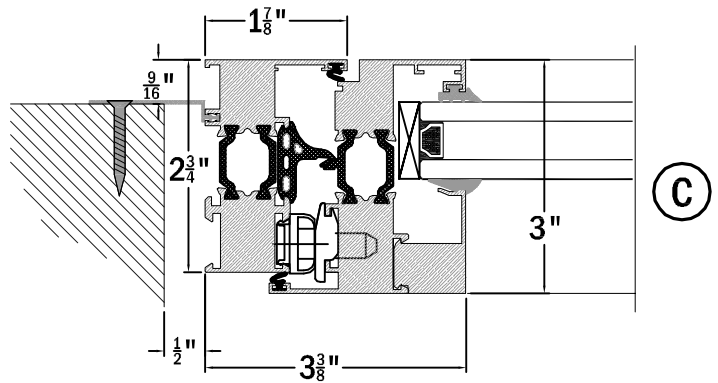
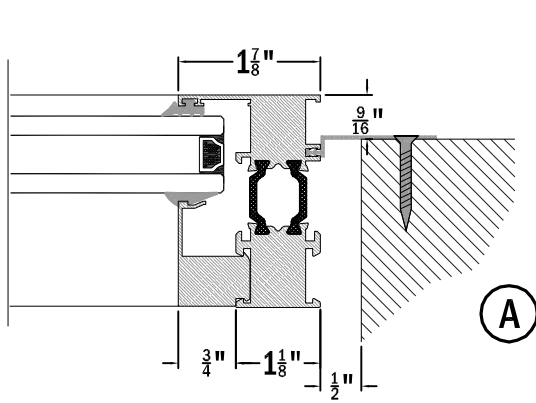
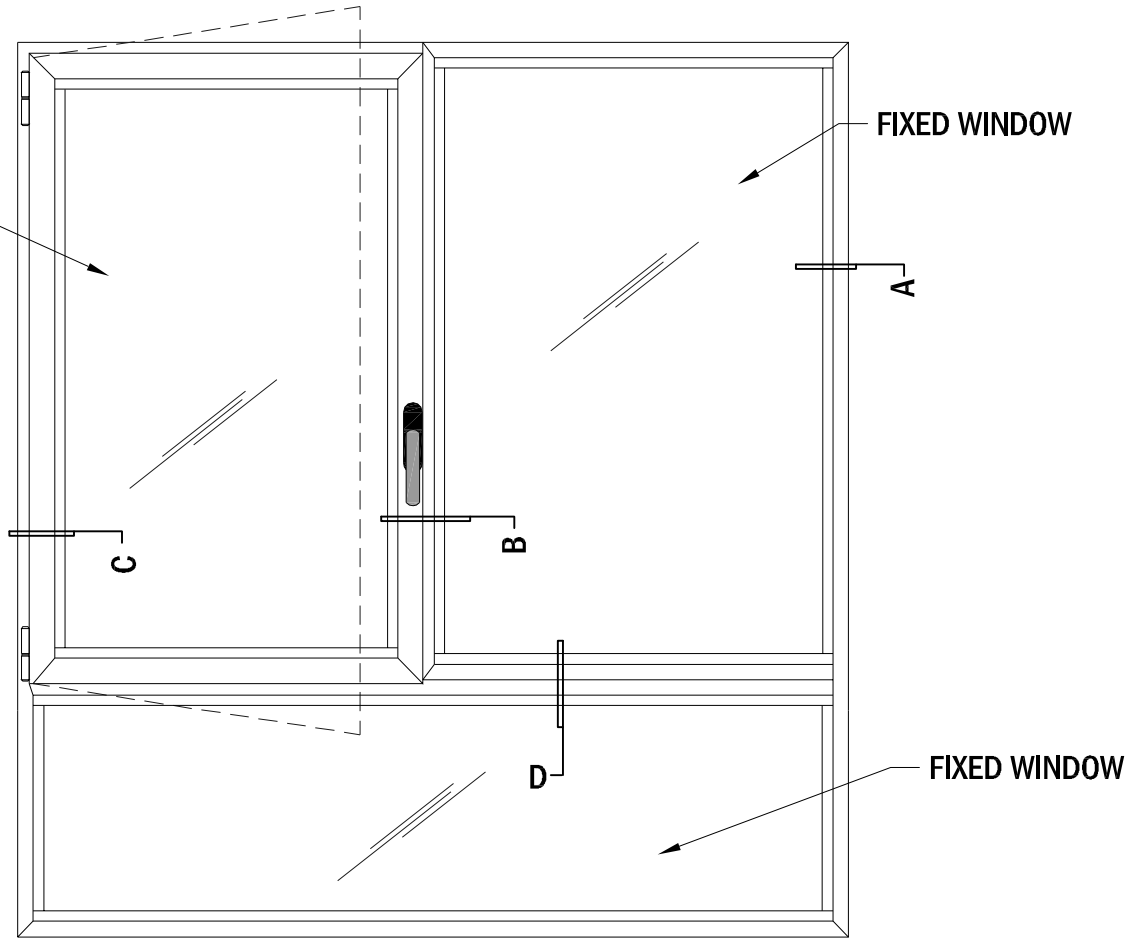


FEATURES:

PANDA WINDOWS TYPOLOGY CAN BE COMBINED WITH A HORIZONTAL TRUE DIVIDE FOR OUTSWING/HOPPER COMBINATION.

IN SWING WINDOW

FIXED WINDOW



FEATURES:

PANDA WINDOWS TYPOLOGY CAN BE COMBINED WITH A VERTICAL TRUE DIVIDE FOR IN SWING/AWNING COMBINATION.

| | | |
|--|--------------------------|---|
| | VERT. COMBINATION | |
| | WINDOWS TB | 8 |