



**Profiles:**

Profiles are manufactured from 6063-T5 extruded aluminum with a wall thickness of up to 1/8" allowing for oversized panels. The door systems are available with either powder coat, Kynar or anodized finishes in virtually any color the customer chooses.

**Tracking:**

There are five types of tracks available to accommodate any flooring conditions, allowing for an almost seamless look with only 3/16" protrusion above the finished floor. All weight is carried on the bottom track, the top track serves as a guide.

**Configurations:**

These systems can accommodate up to 5 panel per unit.

**Hardware:**

The wheel carriages are comprised of stainless steel wheels and have a corrosion resistant treatment applied for high performance in coastal regions. Each wheel carriage can support up to 550 lbs . The operating mechanism includes a multi-point lock with a flush handle. The entire door system has specially designed EPDM gaskets to create a totally closed, weather tight system.

**Weight:**

Each panel weighs approximately 7 to 8 lbs per sq ft depending on overall panel size and glass configuration.

**TS30 AW PROFILE:**

**WIDTH:** 2  $\frac{3}{8}$ "

**HEIGHT:** 3  $\frac{3}{16}$ "

**GLASS THICKNESS:**

1" AND 1  $\frac{3}{8}$ "

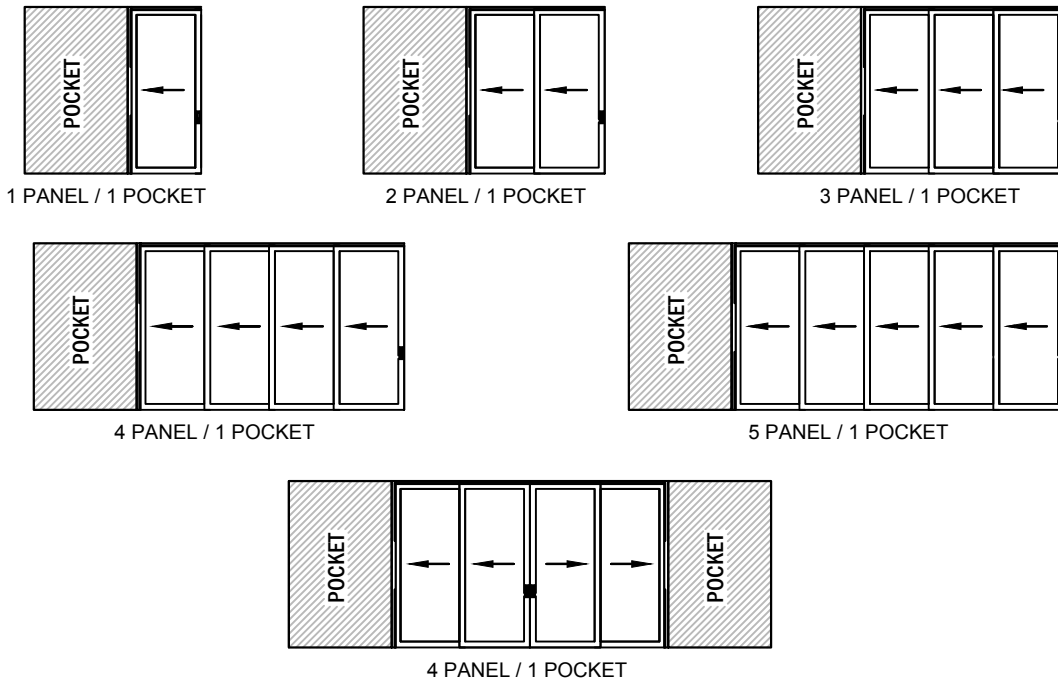
**TS30 AW MAX PANEL SIZE:**

**WIDTH:** 5'-0"

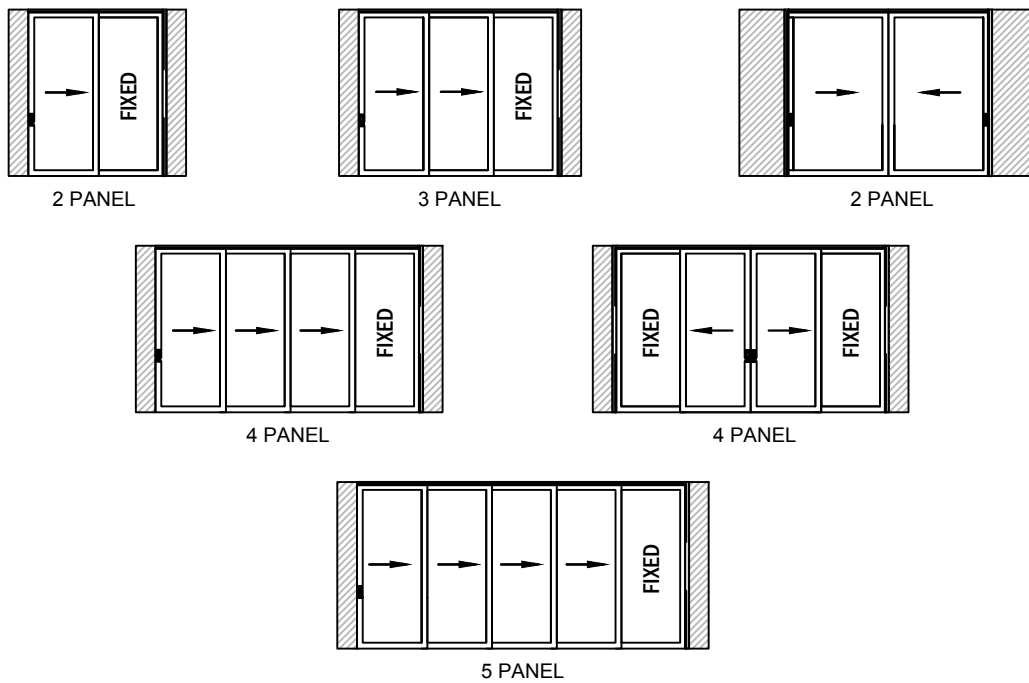
**HEIGHT:** 10'-0"



## PANEL CONFIGURATION WITH POCKETS

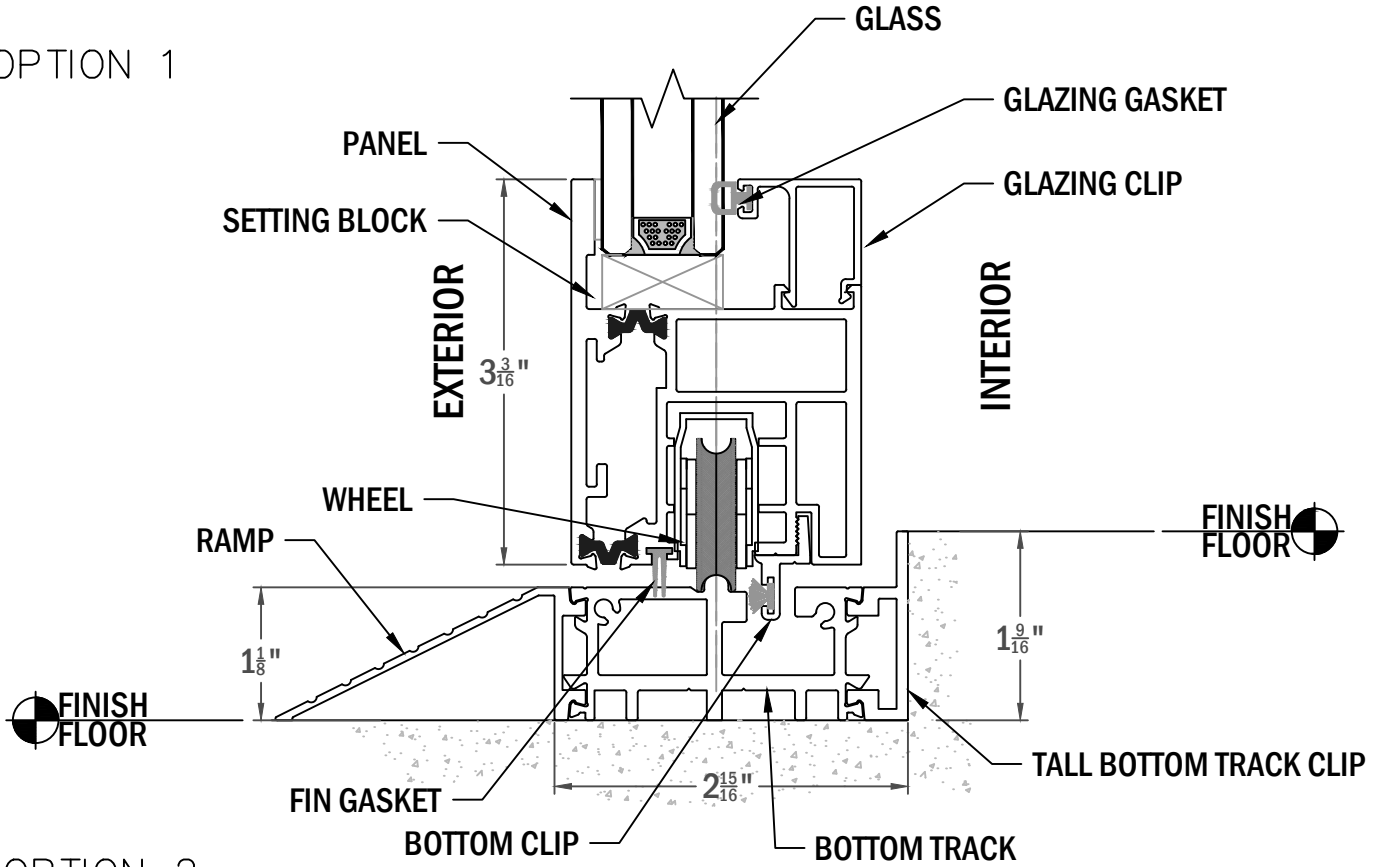


## PANEL CONFIGURATION WITH FIXED PANEL

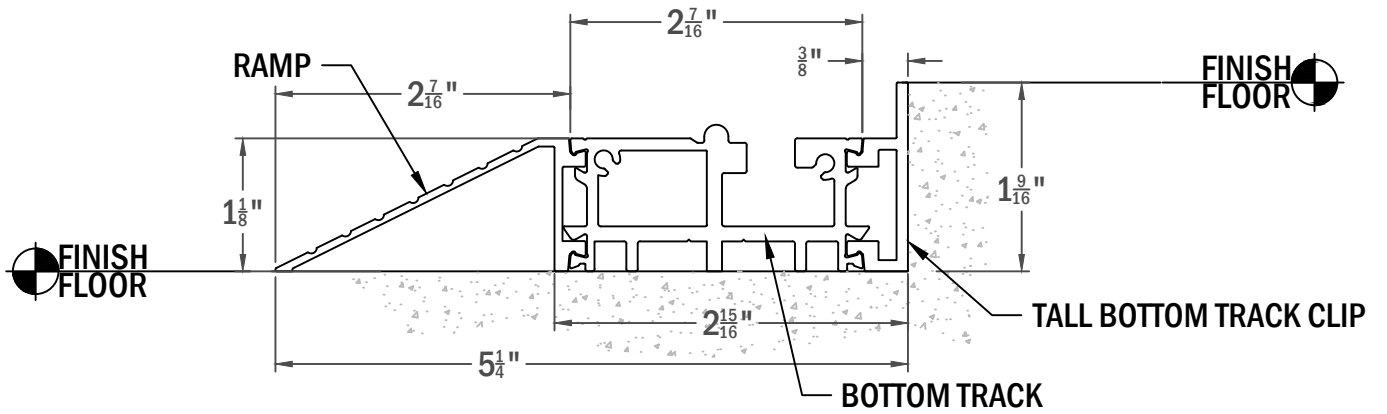




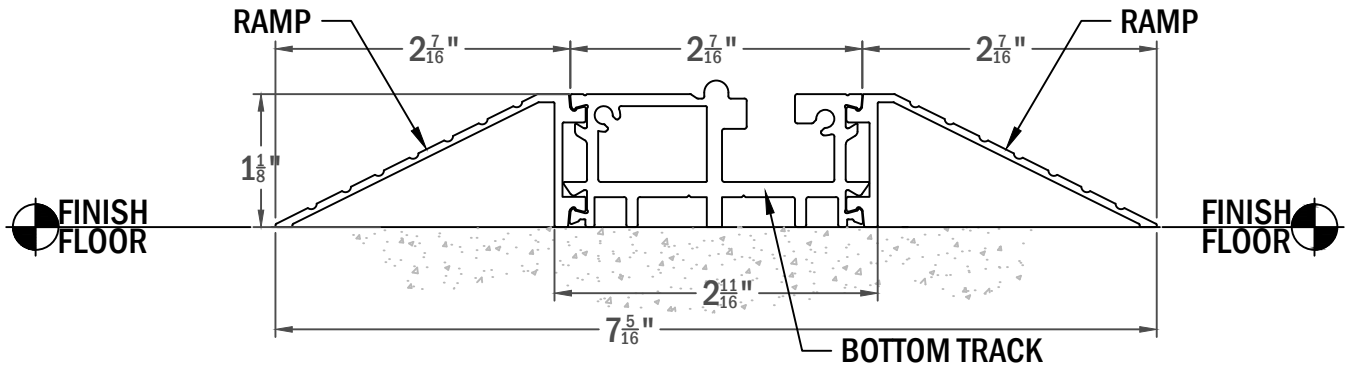
OPTION 1



OPTION 2

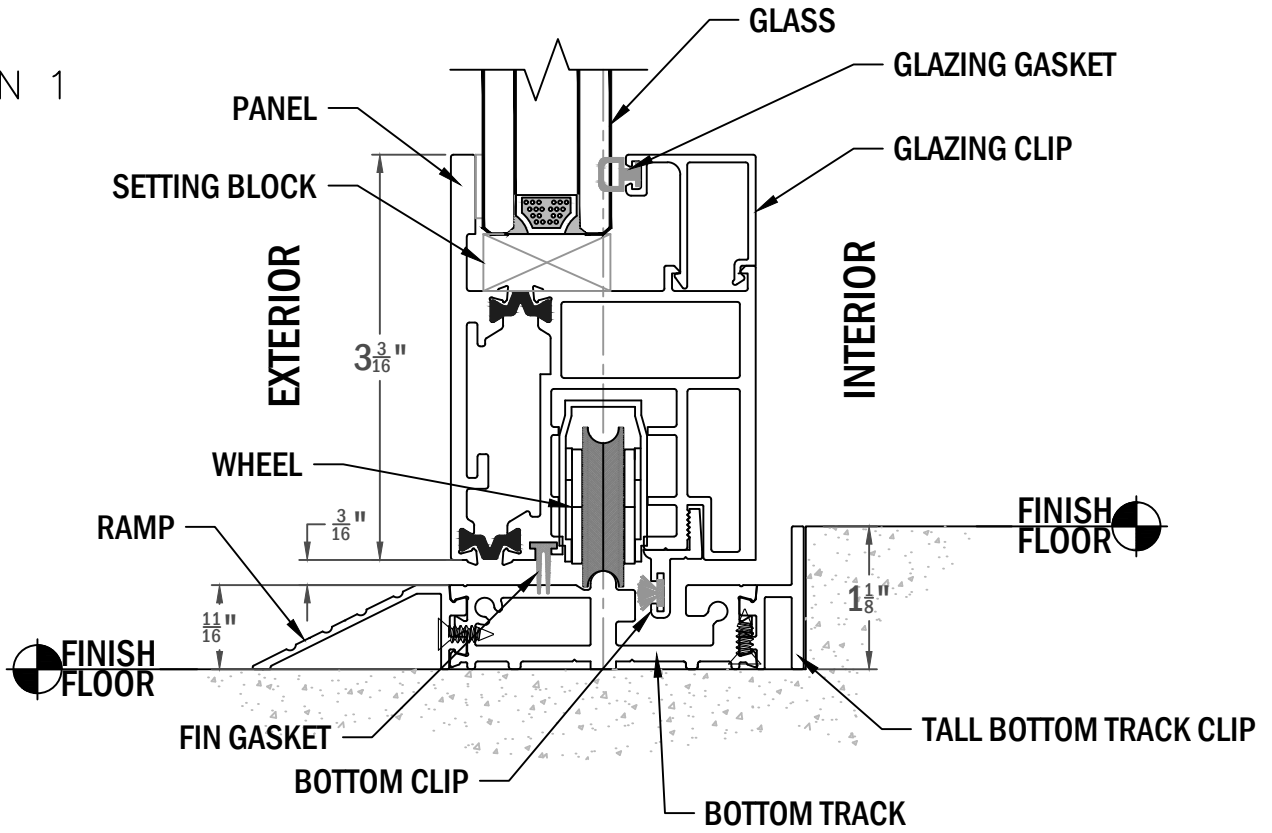


OPTION 3

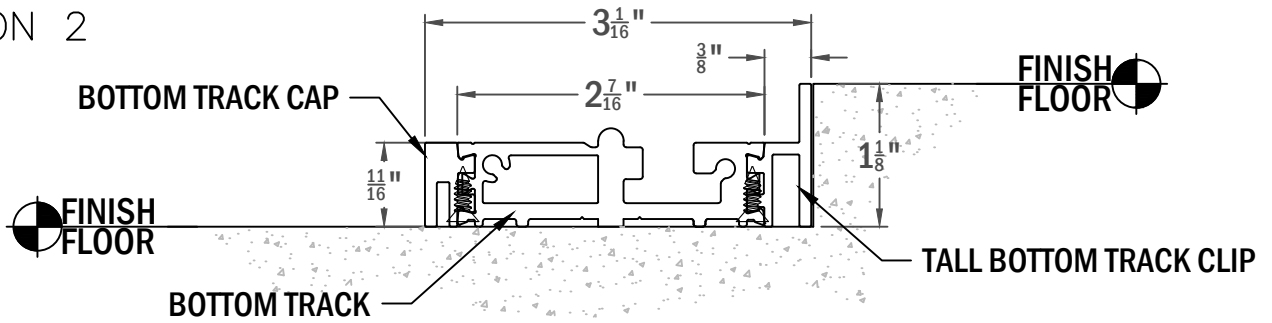




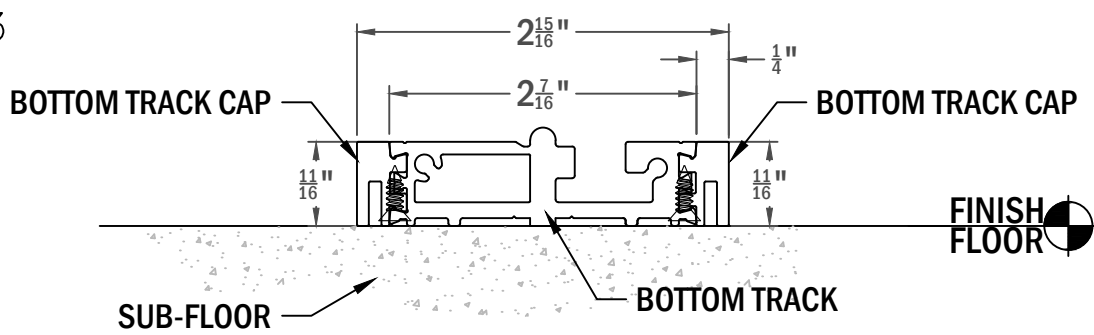
OPTION 1



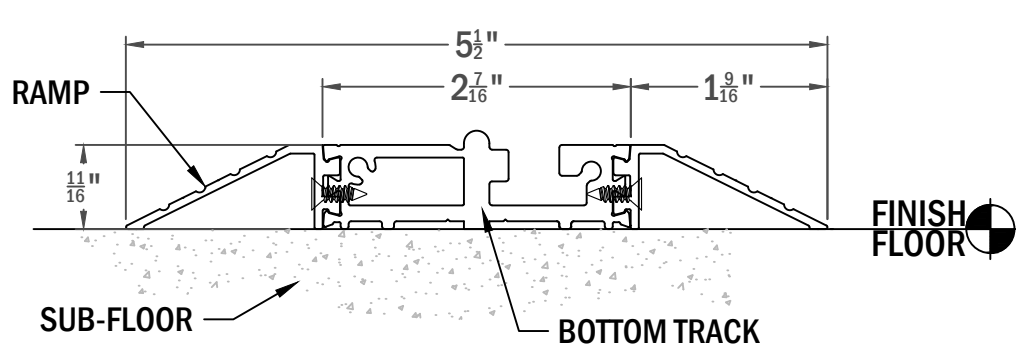
OPTION 2



OPTION 3



OPTION 4





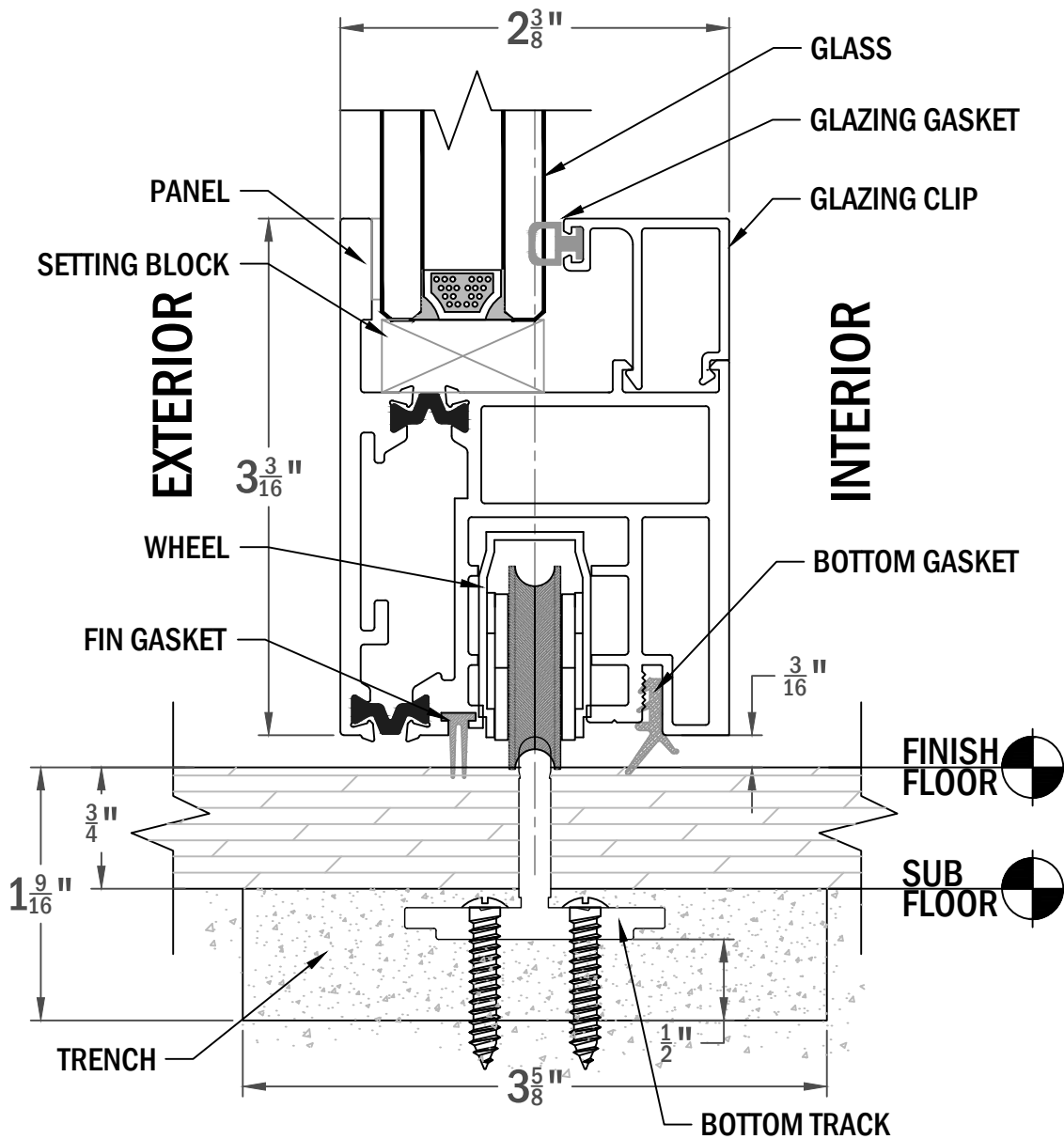
**RECOMMENDED TRENCH WIDTH:**

1 TRACK:  $3\frac{5}{8}$ " WIDE

2 TRACK:  $6\frac{9}{16}$ " WIDE

3 TRACK:  $9\frac{1}{2}$ " WIDE

4 TRACK:  $12\frac{3}{8}$ " WIDE





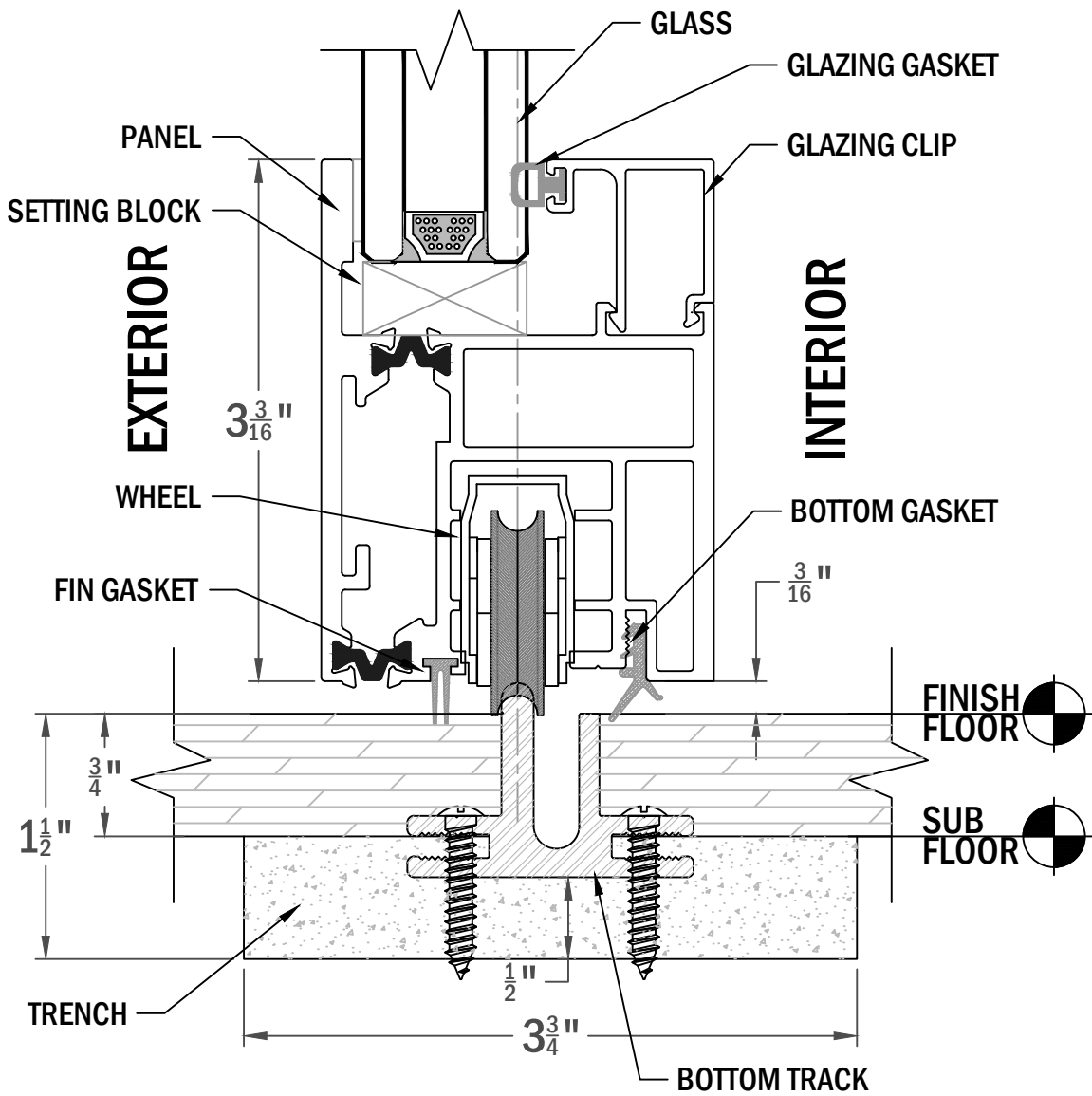
**RECOMMENDED TRENCH WIDTH:**

1 TRACK: 3 3/4" WIDE

2 TRACK: 6 11/16" WIDE

3 TRACK: 9 5/8" WIDE

4 TRACK: 12 9/16" WIDE





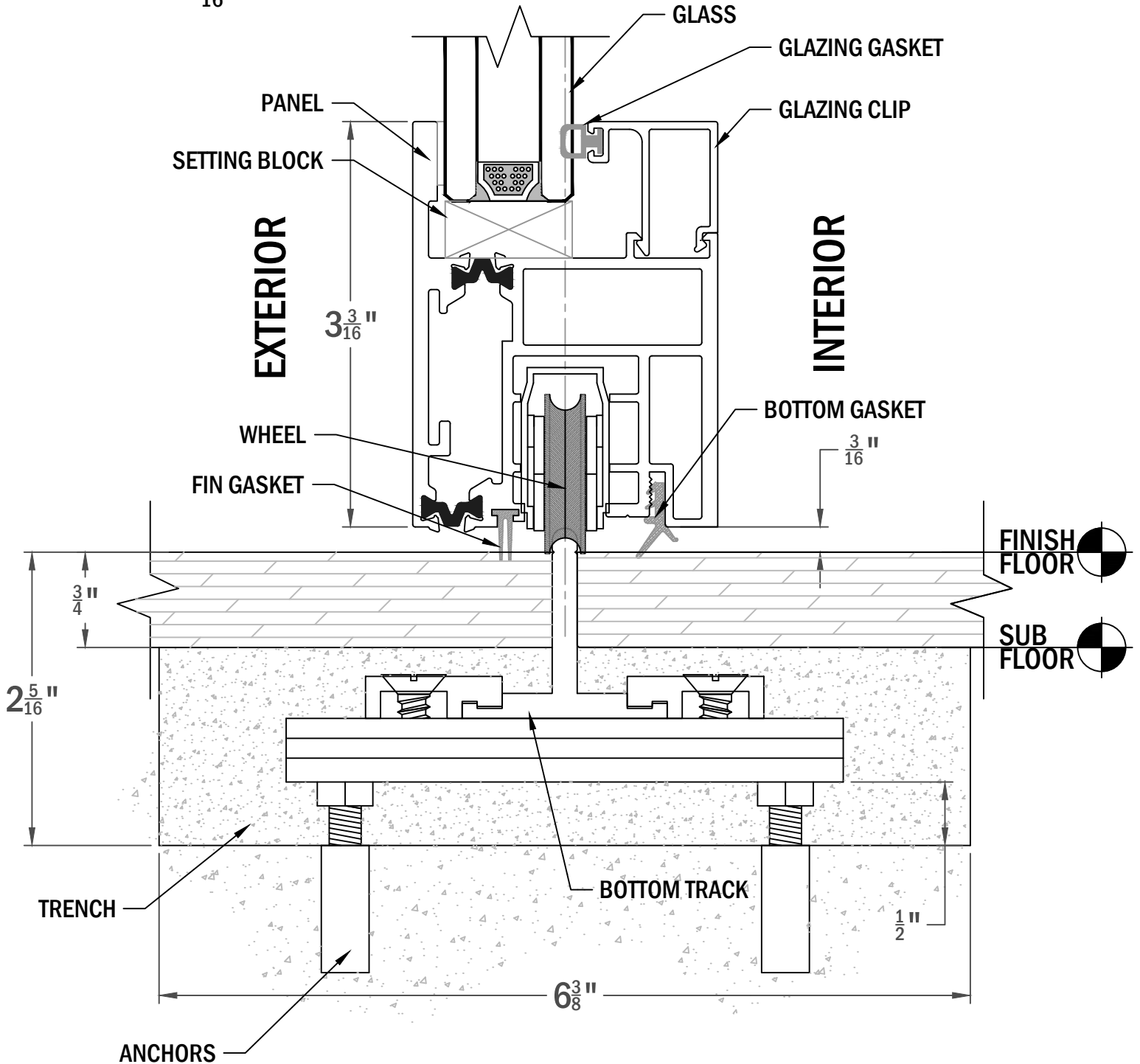
**RECOMMENDED TRENCH WIDTH:**

1 TRACK:  $6\frac{3}{8}$ " WIDE

2 TRACK:  $9\frac{5}{16}$ " WIDE

3 TRACK:  $12\frac{1}{4}$ " WIDE

4 TRACK:  $15\frac{3}{16}$ " WIDE





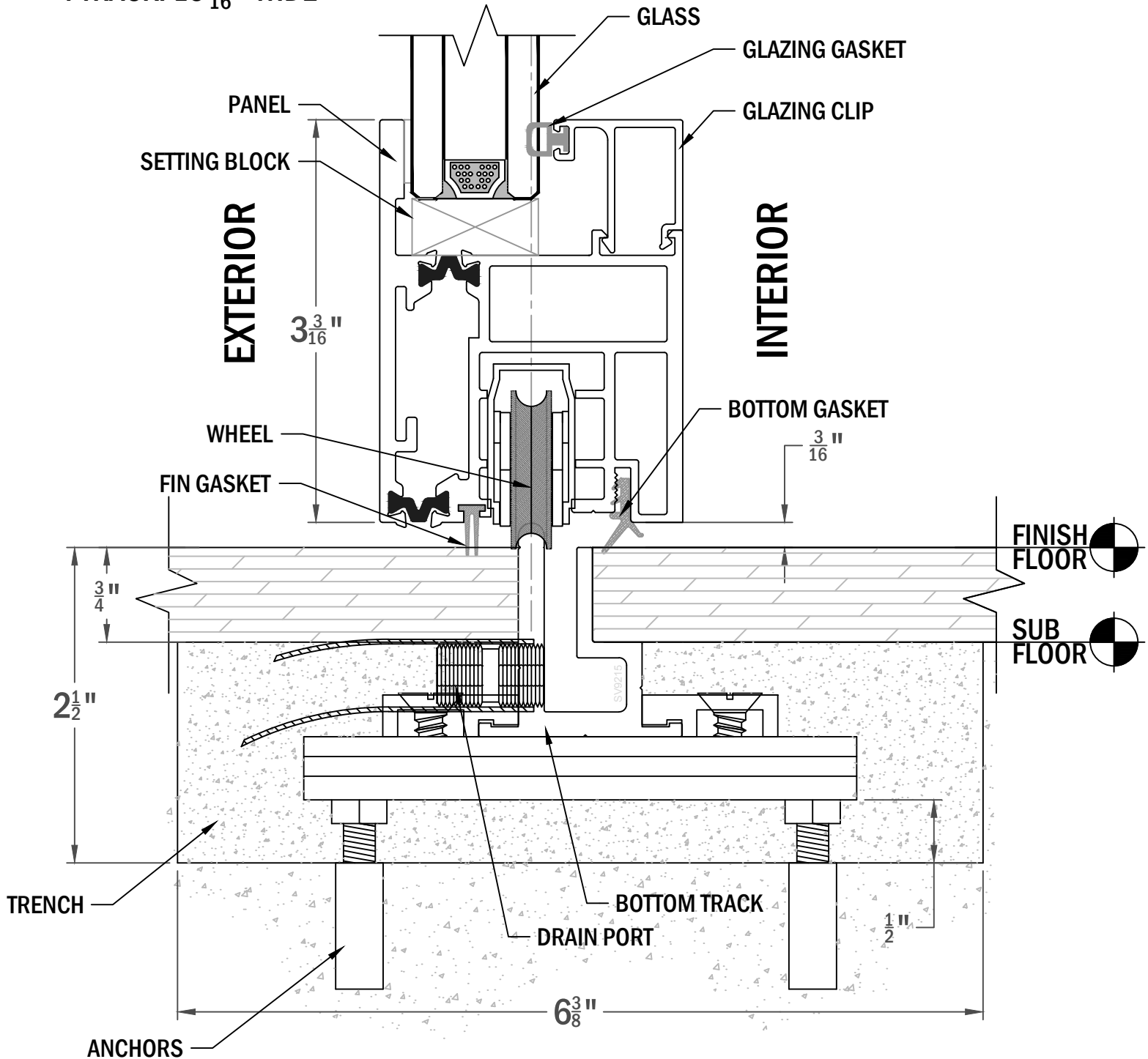
**RECOMMENDED TRENCH WIDTH:**

1 TRACK: 6 <sup>3</sup>/<sub>8</sub>" WIDE

2 TRACK: 9 <sup>5</sup>/<sub>16</sub>" WIDE

3 TRACK: 12 <sup>1</sup>/<sub>4</sub>" WIDE

4 TRACK: 15 <sup>3</sup>/<sub>16</sub>" WIDE

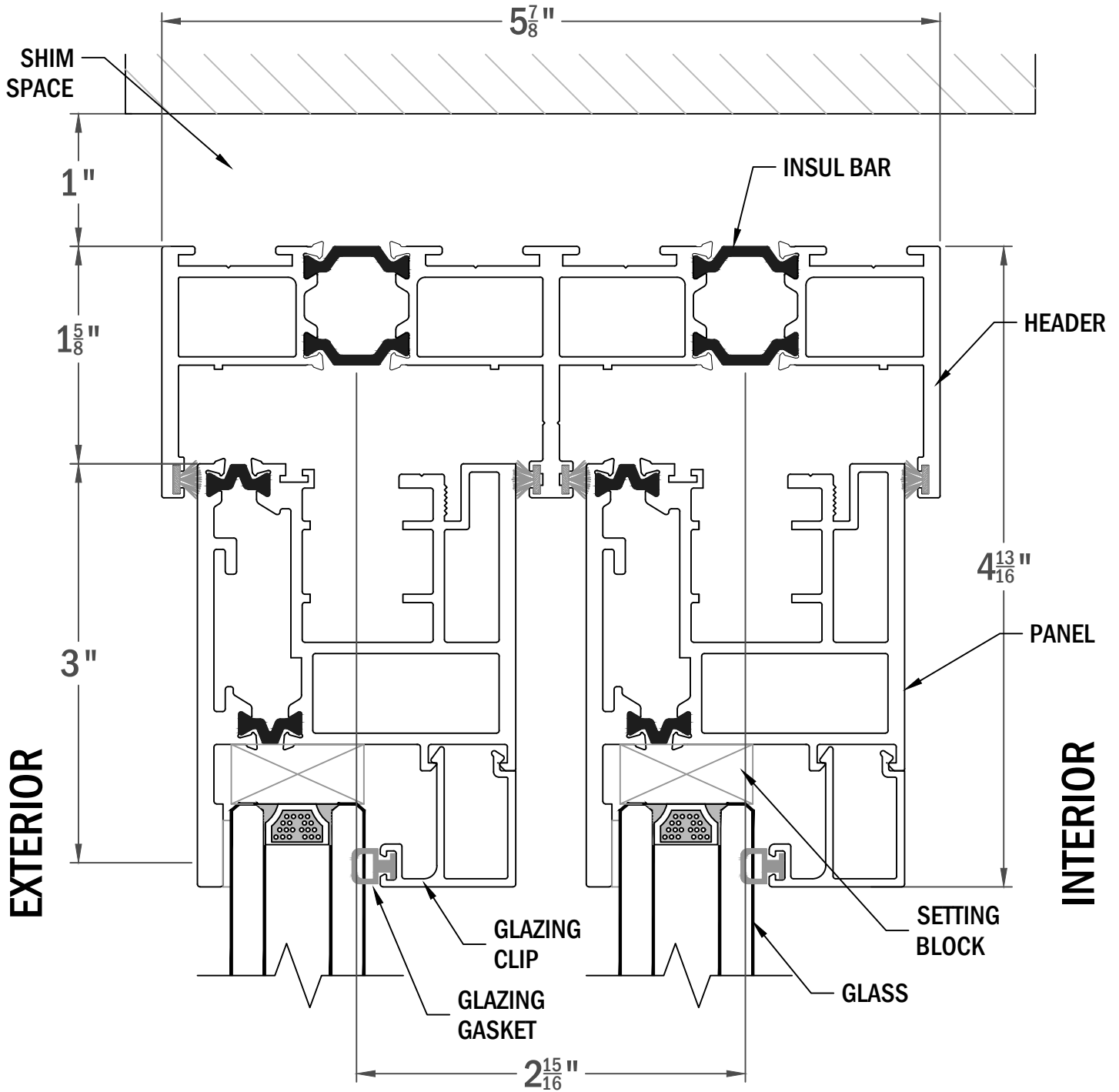






**HEADER WIDTH:**

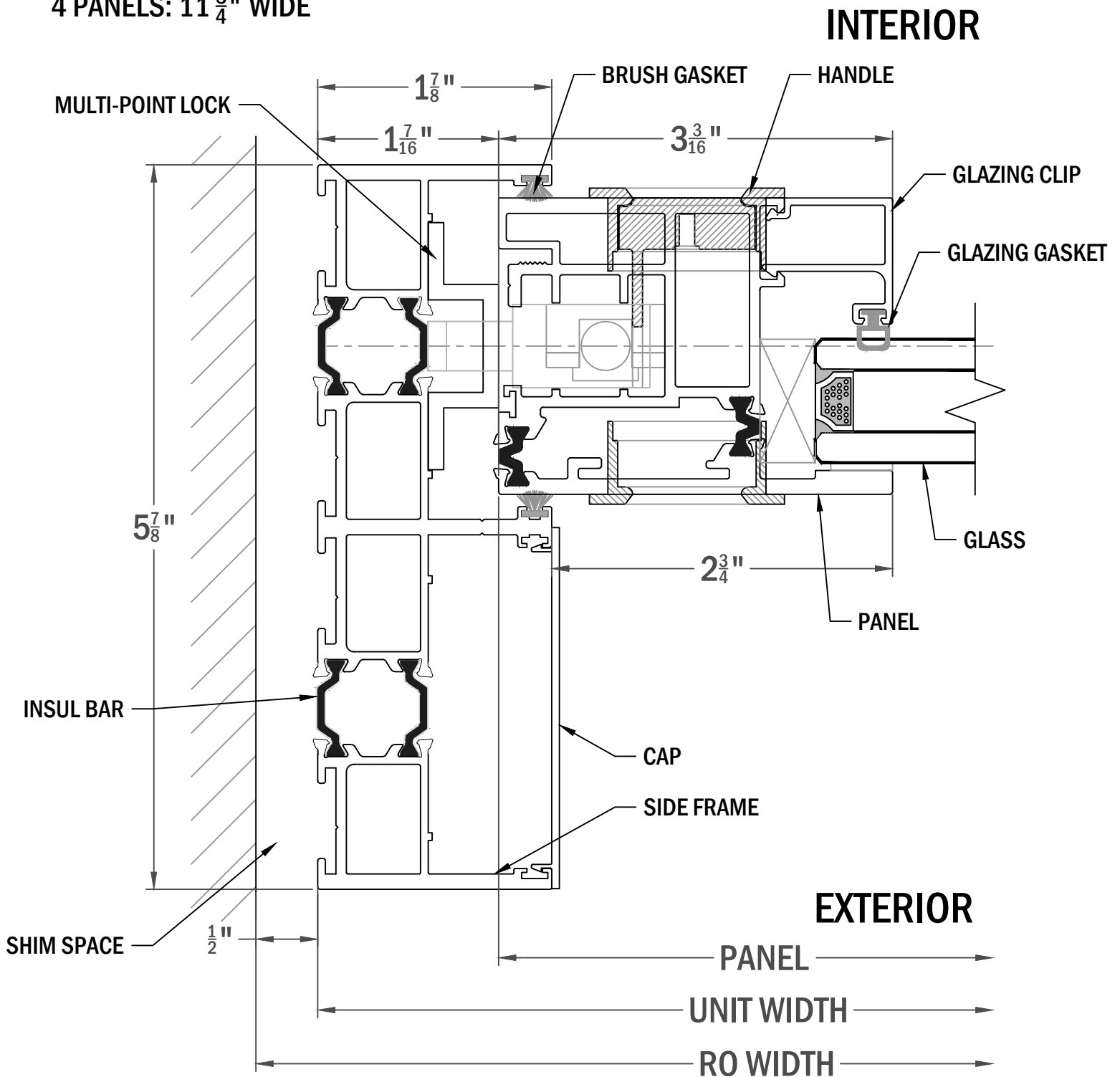
- 1 PANEL:  $2 \frac{15}{16}$ " WIDE
- 2 PANELS:  $5 \frac{7}{8}$ " WIDE
- 3 PANELS:  $8 \frac{13}{16}$ " WIDE
- 4 PANELS:  $11 \frac{3}{4}$ " WIDE

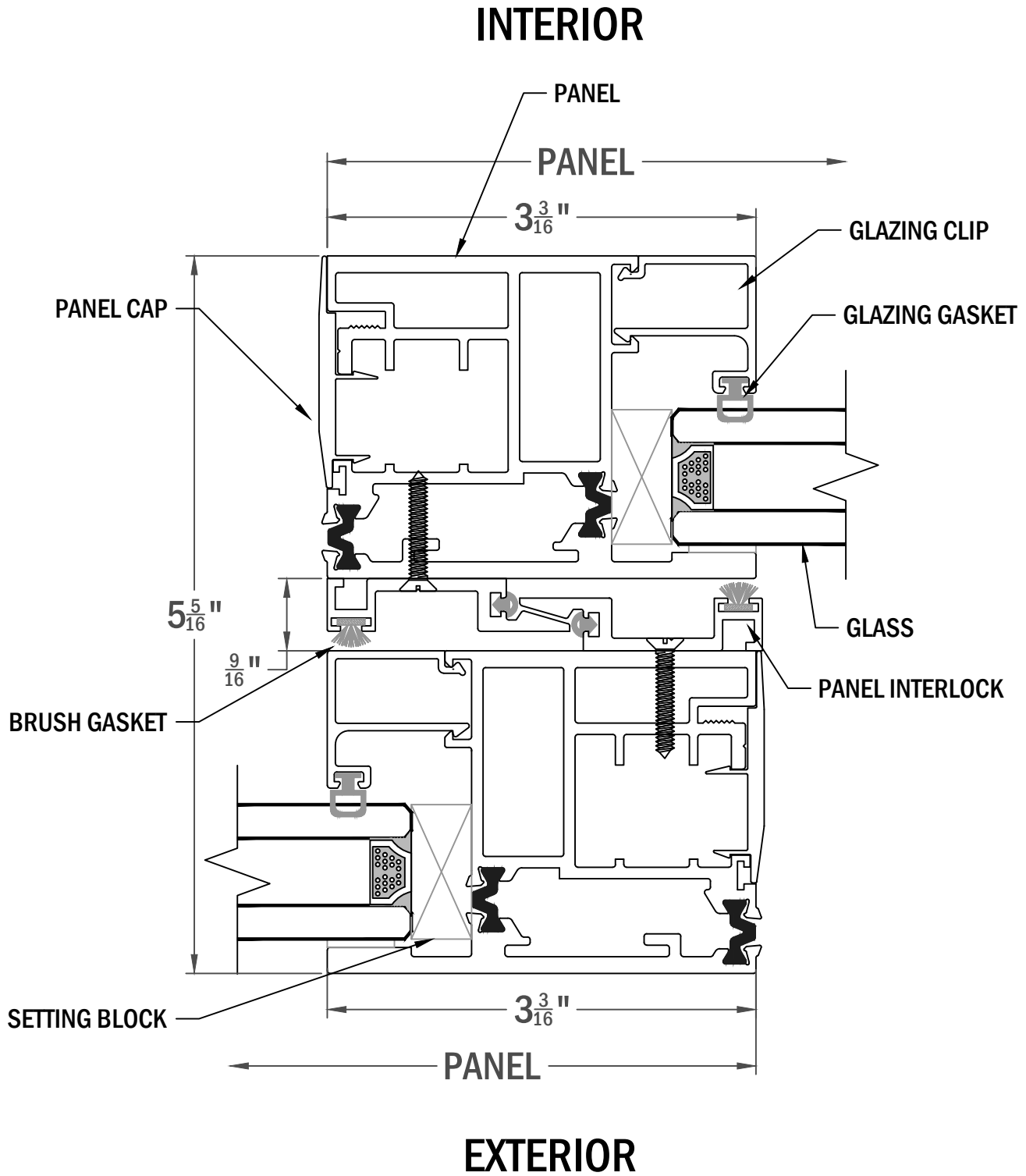


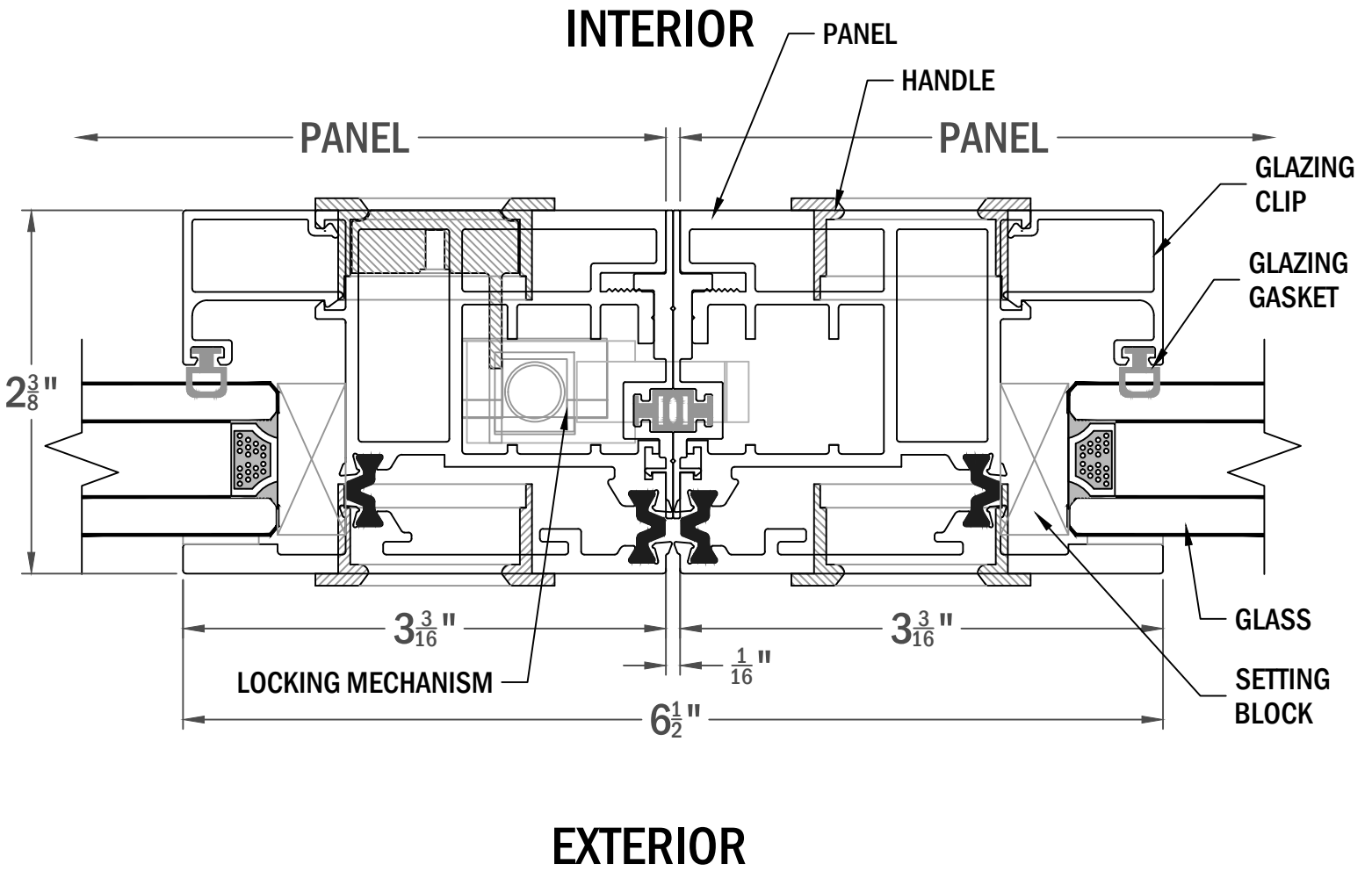


**SIDE FRAME WIDTH:**

- 1 PANEL:  $2 \frac{15}{16}$ " WIDE
- 2 PANELS:  $5 \frac{7}{8}$ " WIDE
- 3 PANELS:  $8 \frac{13}{16}$ " WIDE
- 4 PANELS:  $11 \frac{3}{4}$ " WIDE









**RECOMMENDED POCKET WIDTH:**

- 1 PANEL: 2 <sup>3</sup>/<sub>4</sub>" WIDE
- 2 PANELS: 5 <sup>5</sup>/<sub>8</sub>" WIDE
- 3 PANELS: 8 <sup>1</sup>/<sub>4</sub>" WIDE
- 4 PANELS: 11 <sup>1</sup>/<sub>4</sub>" WIDE

