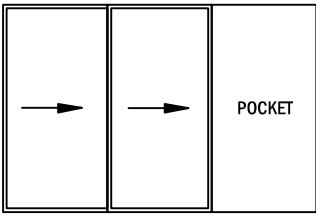
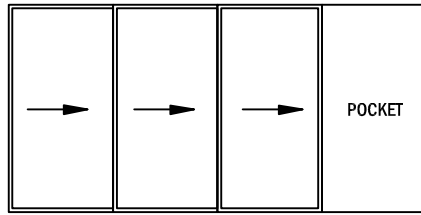




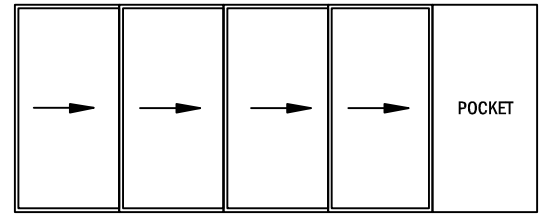
PANEL CONFIGURATION WITH POCKETS



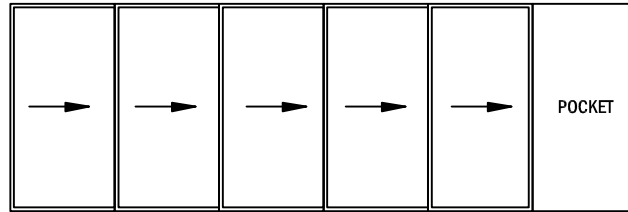
2 PANEL / 1 POCKET



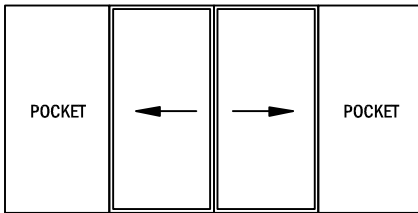
3 PANEL / 1 POCKET



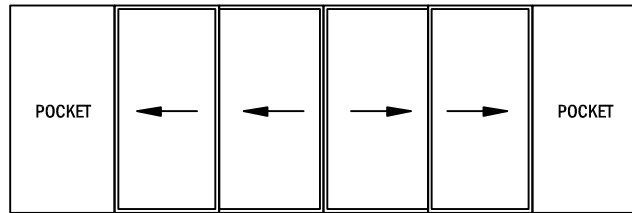
4 PANEL / 1 POCKET



5 PANEL / 1 POCKET

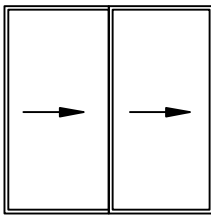


2 PANEL BIPART / 2 POCKET

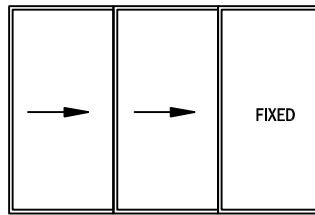


4 PANEL BIPART / 2 POCKET

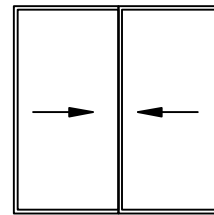
PANEL CONFIGURATION WITH FIXED PANEL



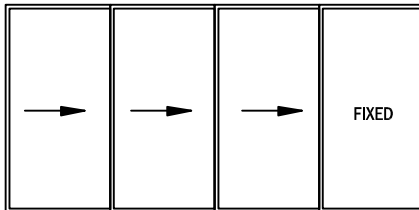
2 PANEL



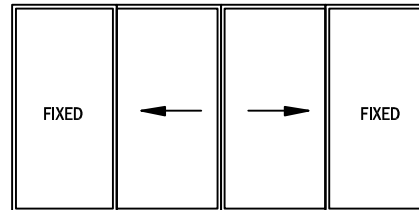
3 PANEL



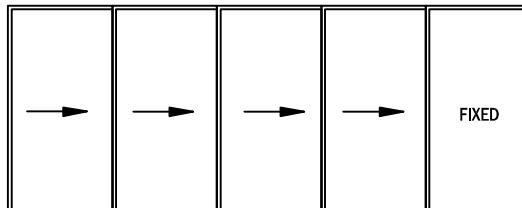
2 PANEL



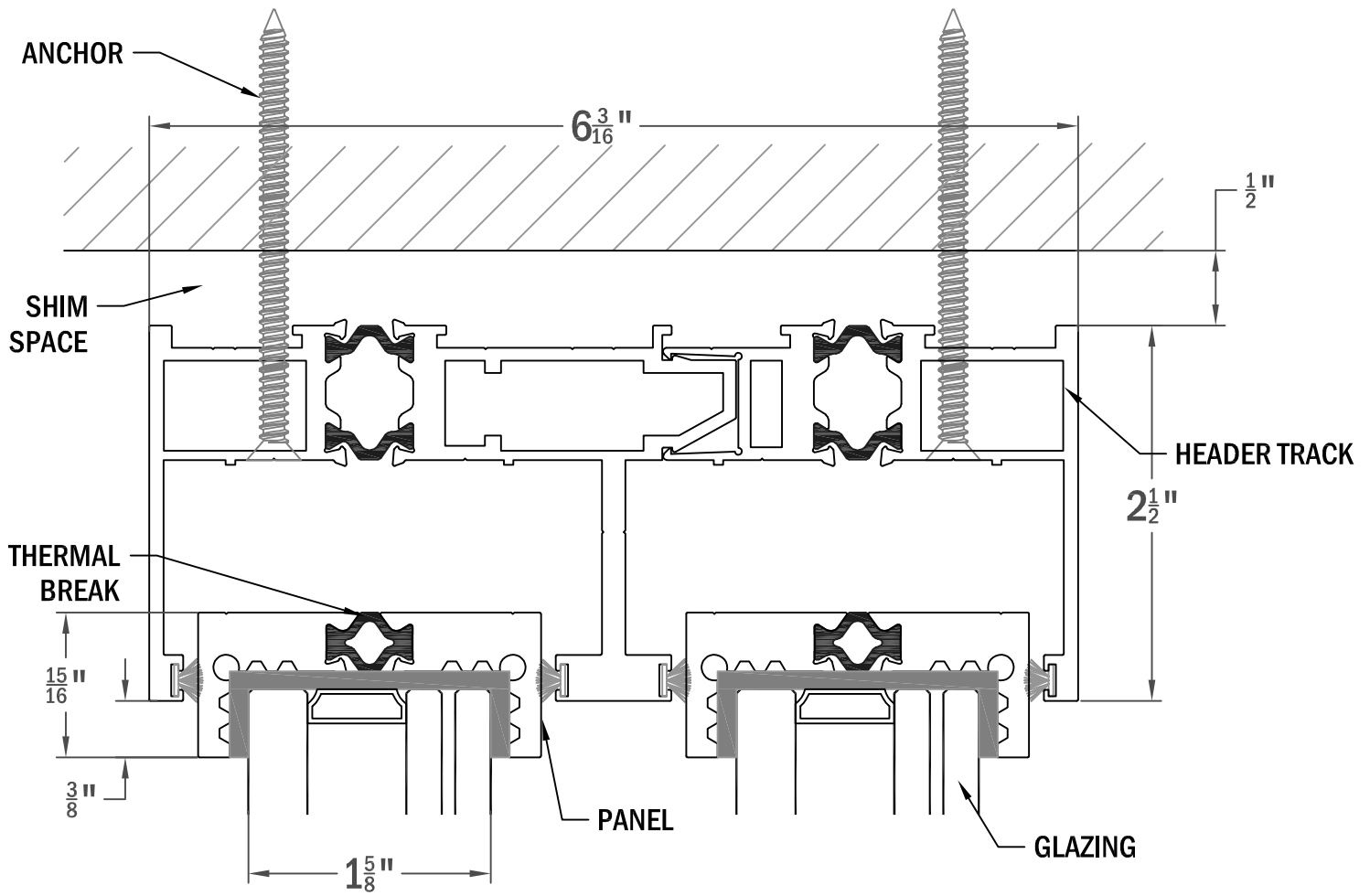
4 PANEL

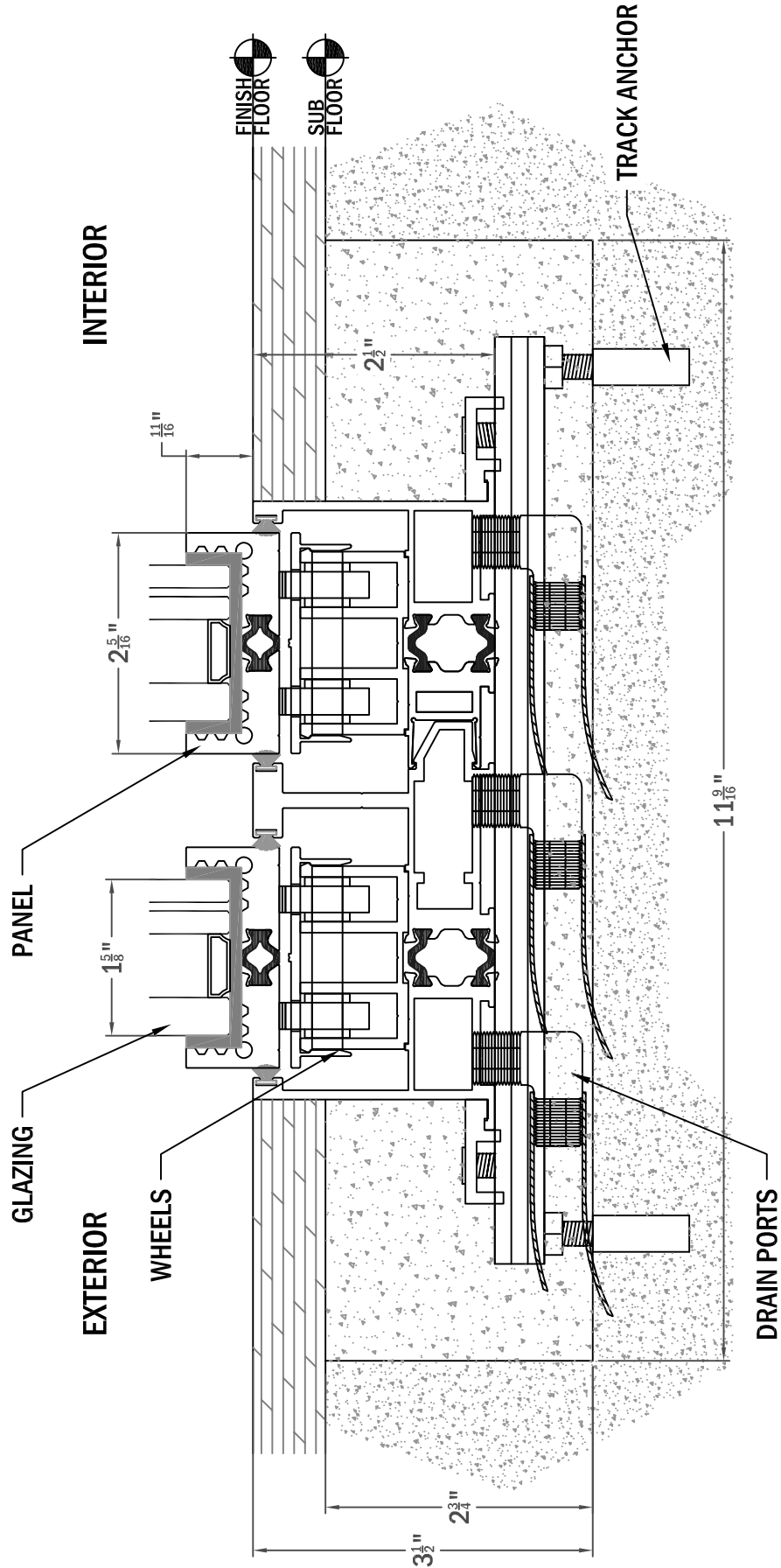


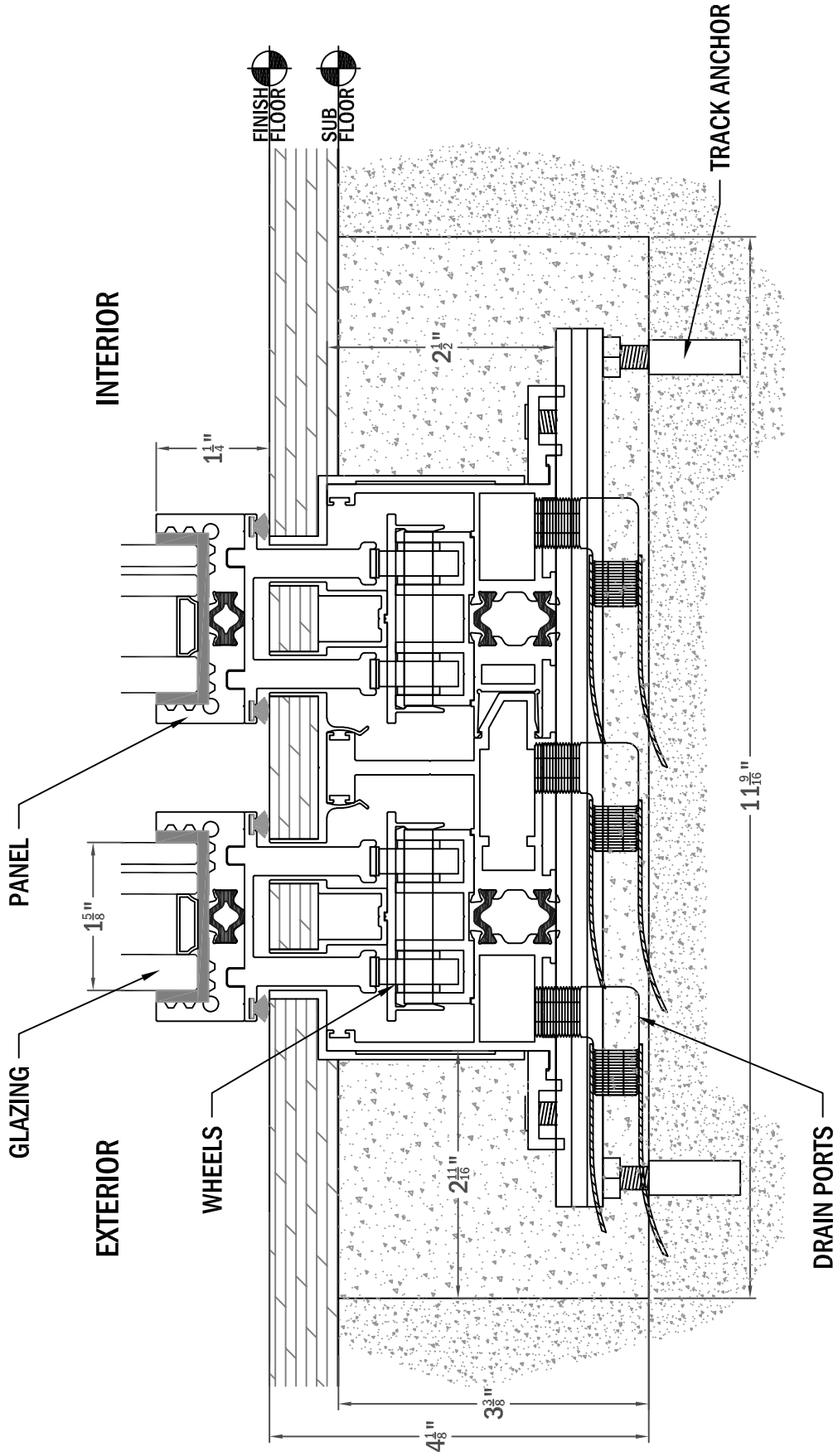
4 PANEL BIPART



5 PANEL

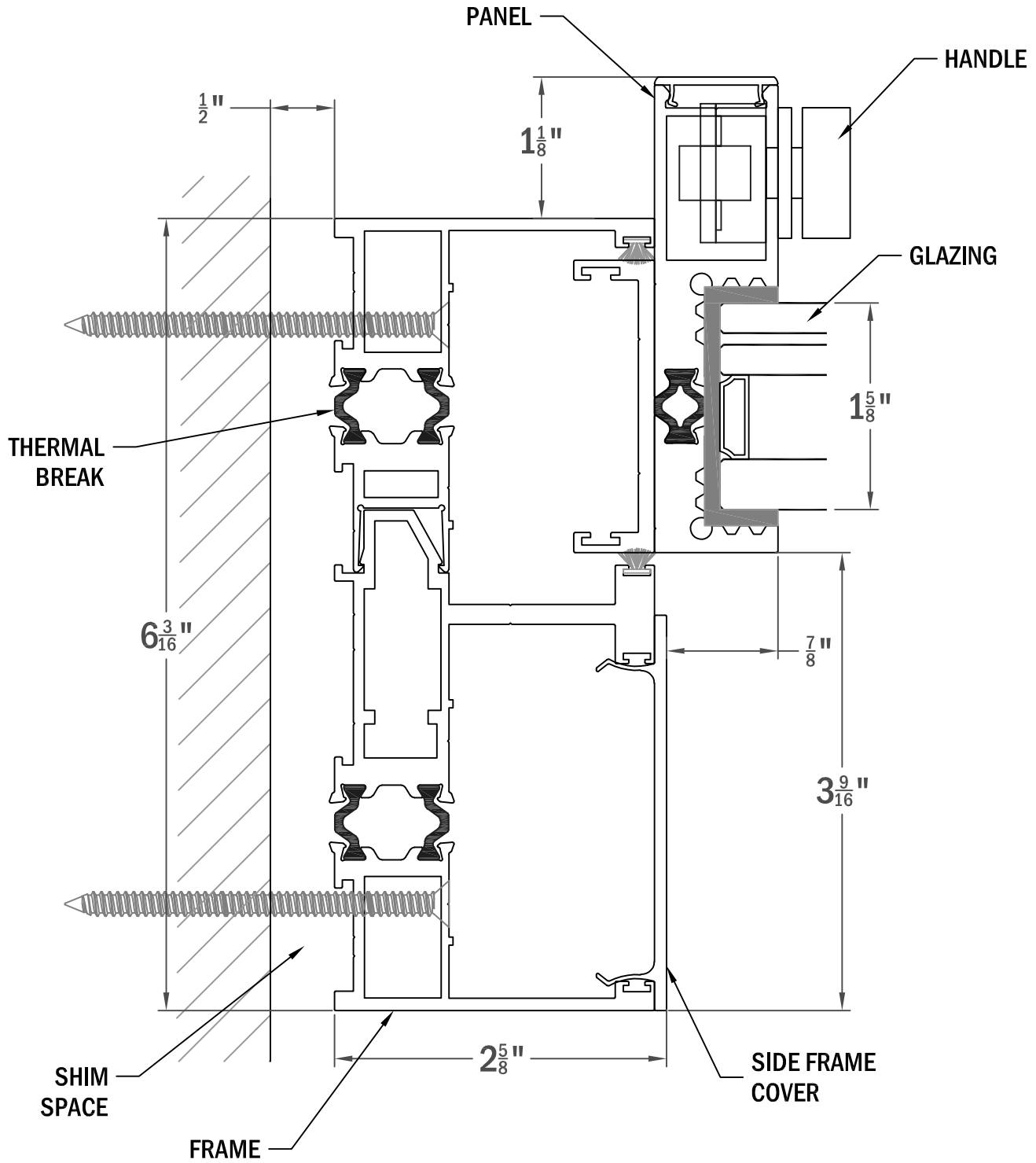


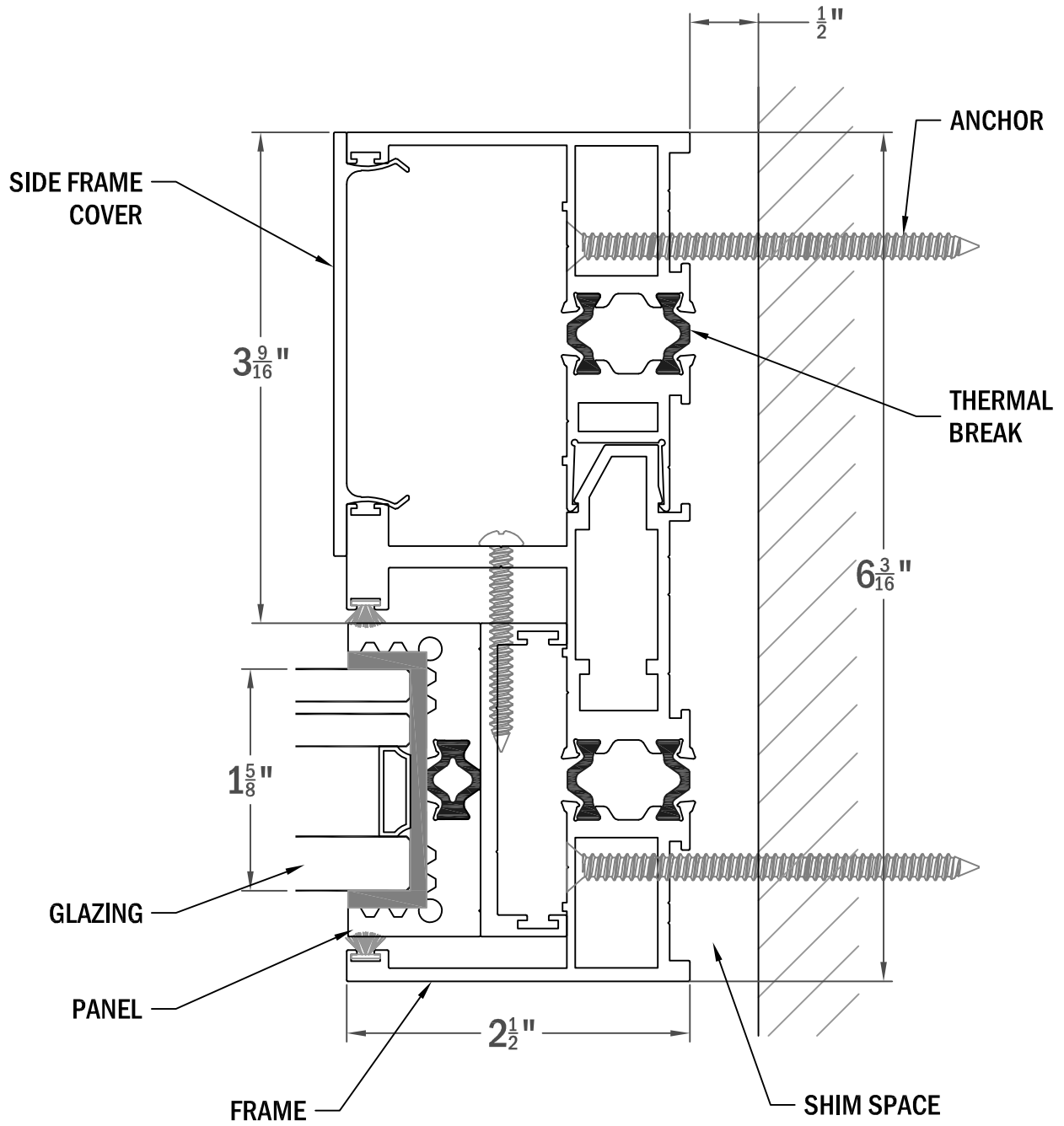




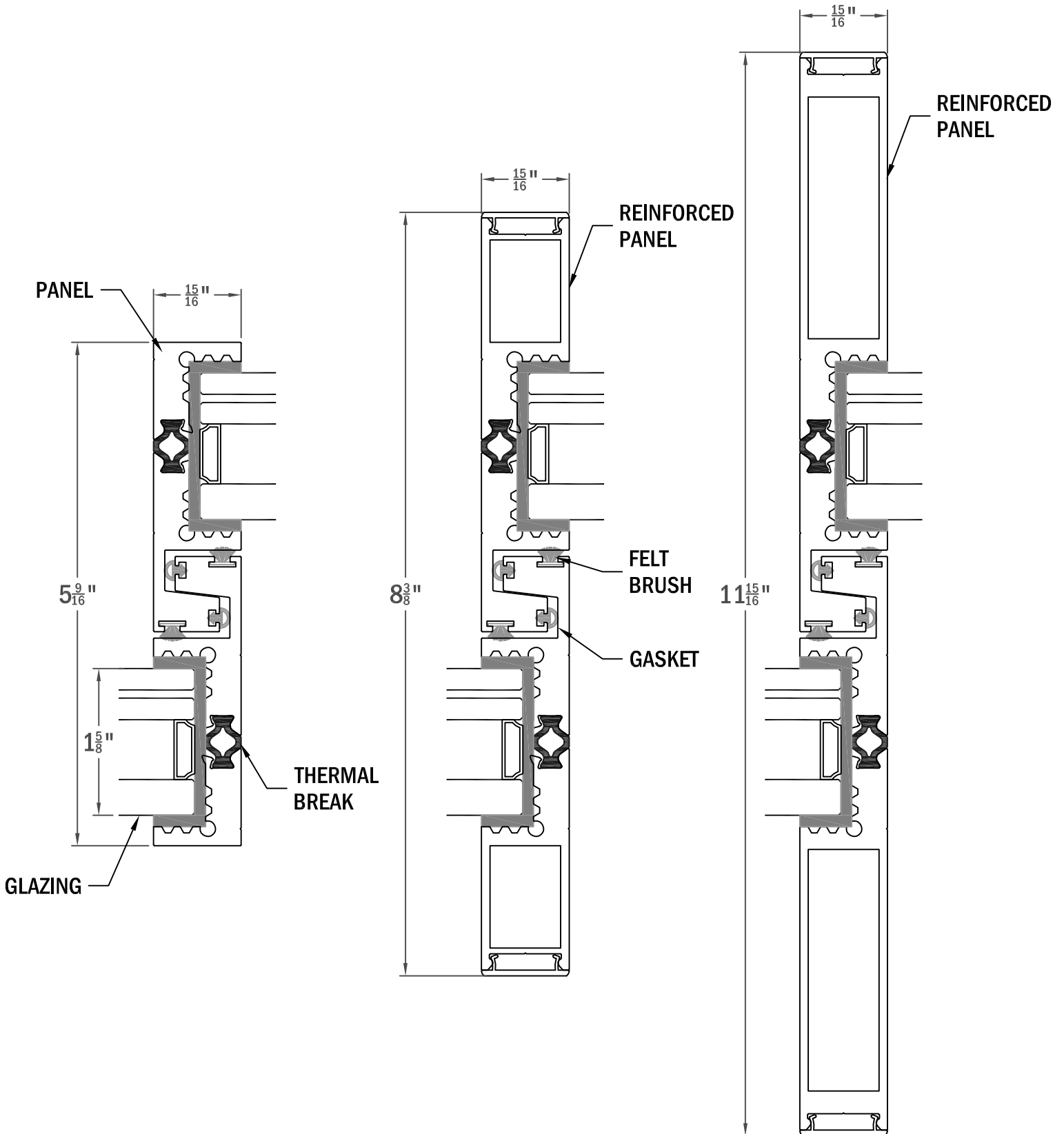
TS-X0 AA
LEAD PANEL SIDE FRAME

TRACK CONFIGURATION



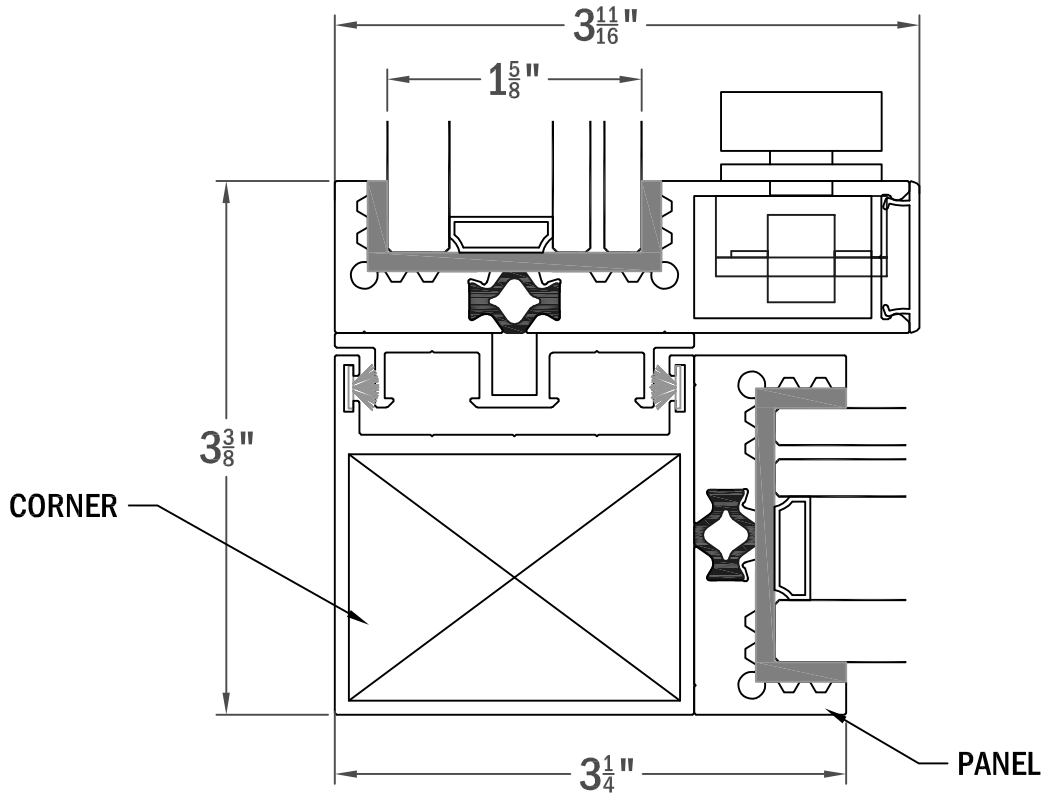


TS-X0 AA PANEL OVERLAPS





90 DEGREE CORNER:



BIPART DETAIL:

