



**Profiles:**

Profiles are manufactured from 6063-T5 extruded aluminum with a wall thickness of up to 1/8" allowing for oversized panels. The door systems are available with either powder coat, Kynar or anodized finishes in virtually any color the customer chooses.

**Tracking:**

There are five types of tracks available to accommodate any flooring conditions, allowing for an almost seamless look with only 3/16" protrusion above the finished floor. All weight is carried on the bottom track, the top track serves as a guide.

**Configurations:**

These systems can accommodate up to 5 panel per unit.

**Hardware:**

The wheel carriages are comprised of stainless steel wheels and have a corrosion resistant treatment applied for high performance in coastal regions. Each wheel carriage can support up to 550 lbs . The operating mechanism includes a multi-point lock with a flush handle. The entire door system has specially designed EPDM gaskets to create a totally closed, weather tight system.

**Weight:**

Each panel weighs approximately 7 to 8 lbs per sq ft depending on overall panel size and glass configuration.

**LS31 AW PROFILE:**

**WIDTH:** 2 <sup>3</sup>/<sub>8</sub>"

**HEIGHT:** 3 <sup>3</sup>/<sub>16</sub>"

**GLASS THICKNESS:**

1" AND 1 <sup>3</sup>/<sub>8</sub>"

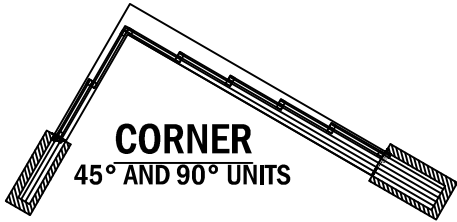
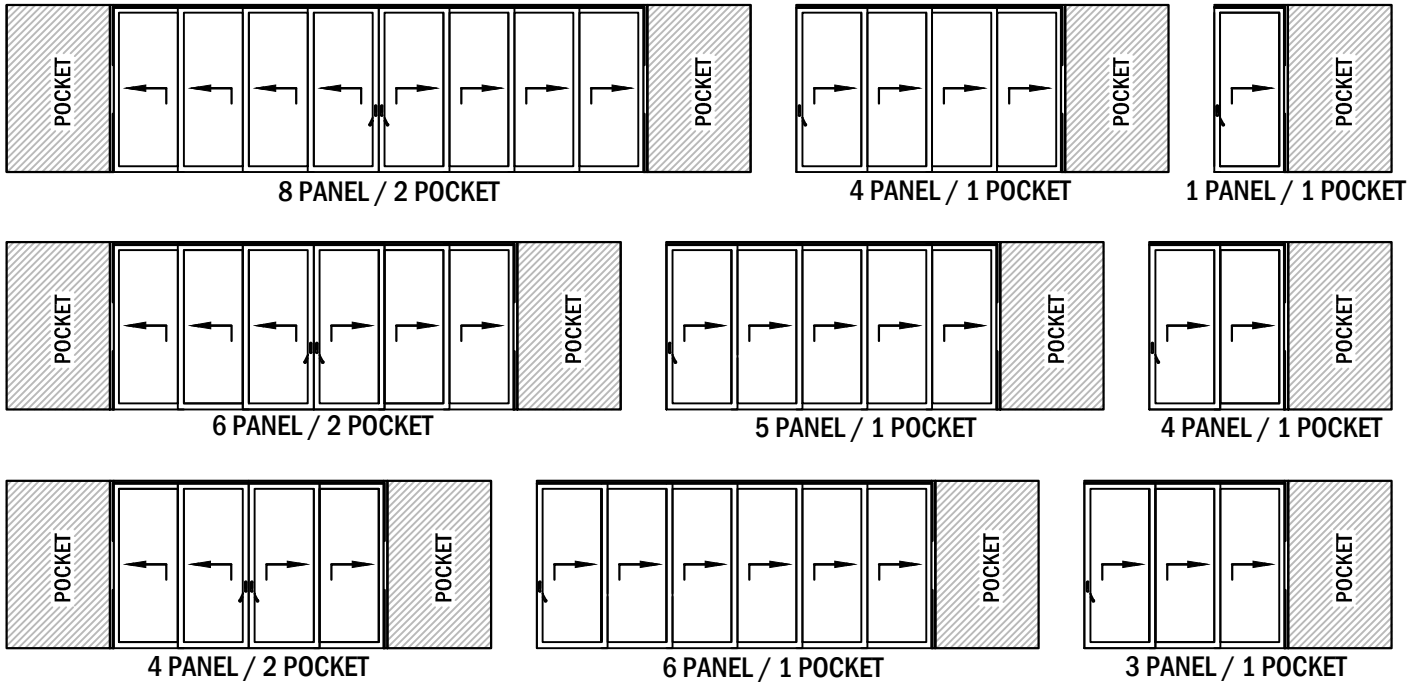
**LS31 AW MAX PANEL SIZE:**

**WIDTH:** 5'-0"

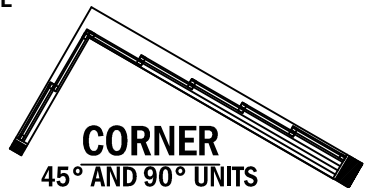
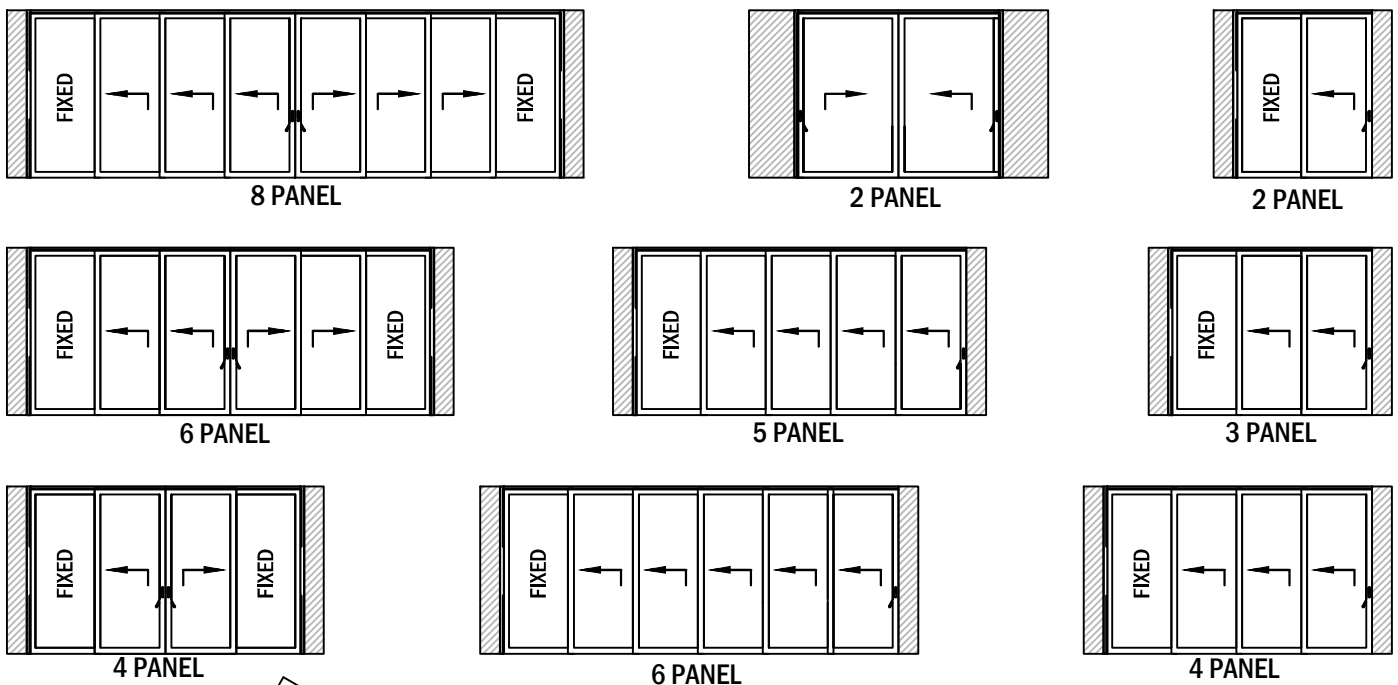
**HEIGHT:** 10'-0"



**PANEL CONFIGURATION WITH POCKETS (SYSTEM CAN STACK LEFT AND/OR RIGHT)**

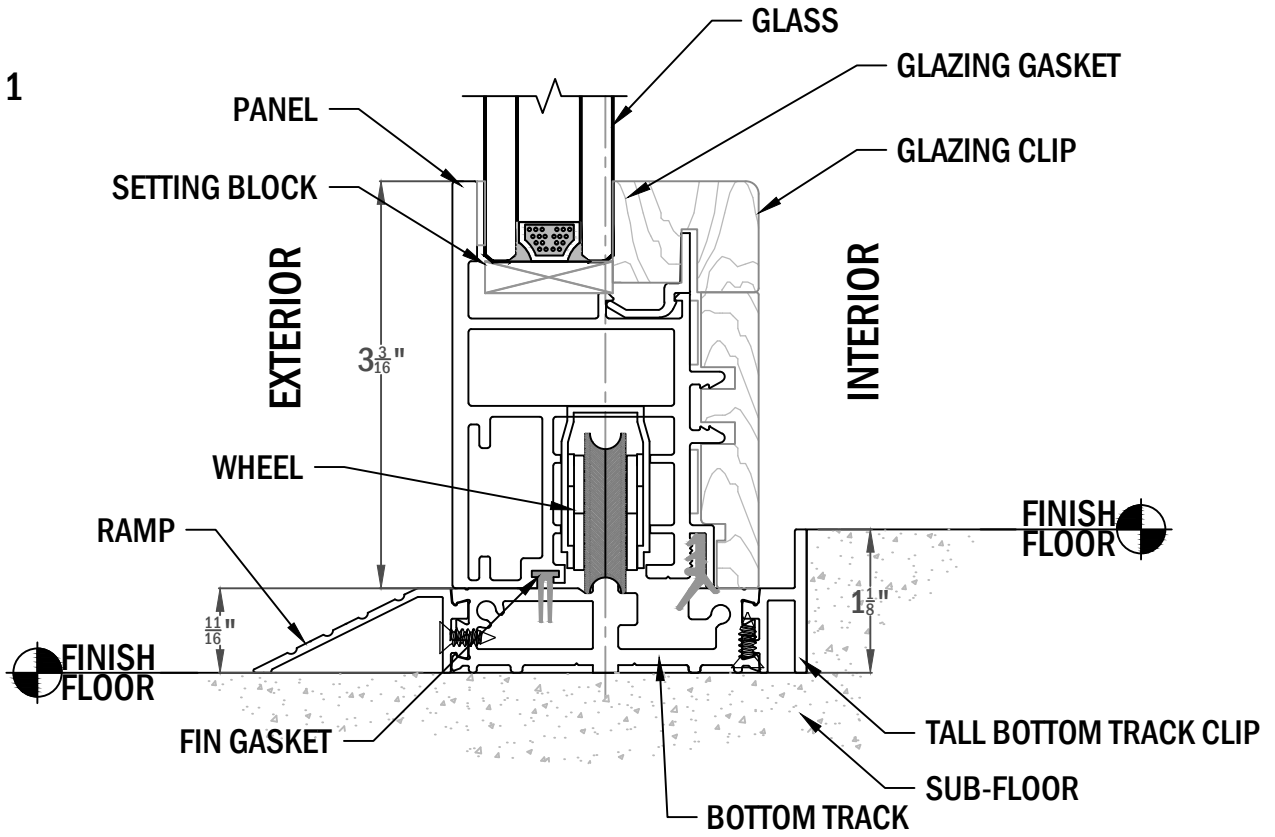


**PANEL CONFIGURATION WITH FIXED PANEL (SYSTEM CAN STACK LEFT AND/OR RIGHT)**

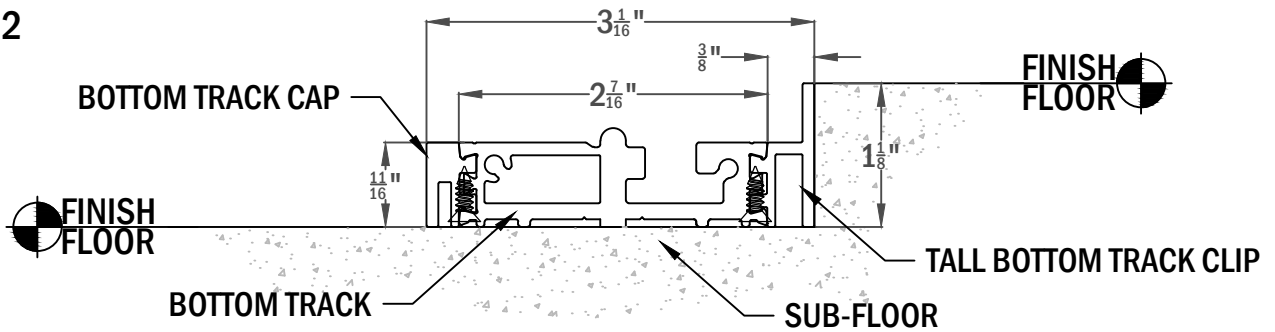




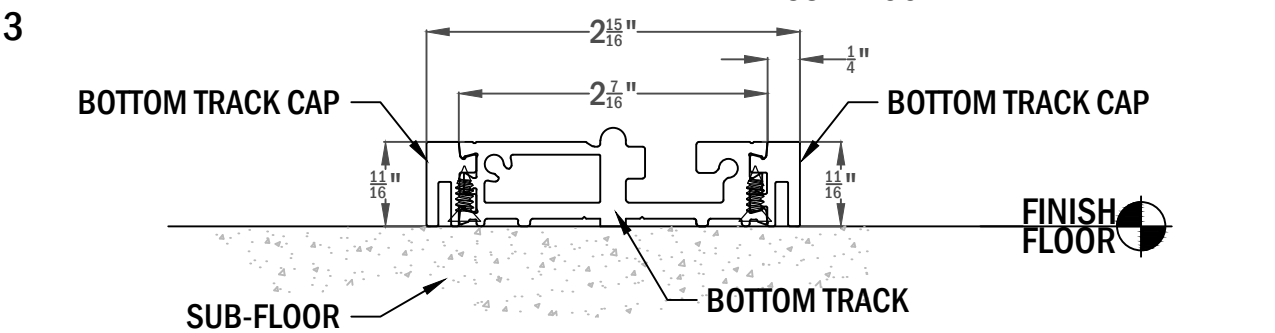
**OPTION 1**



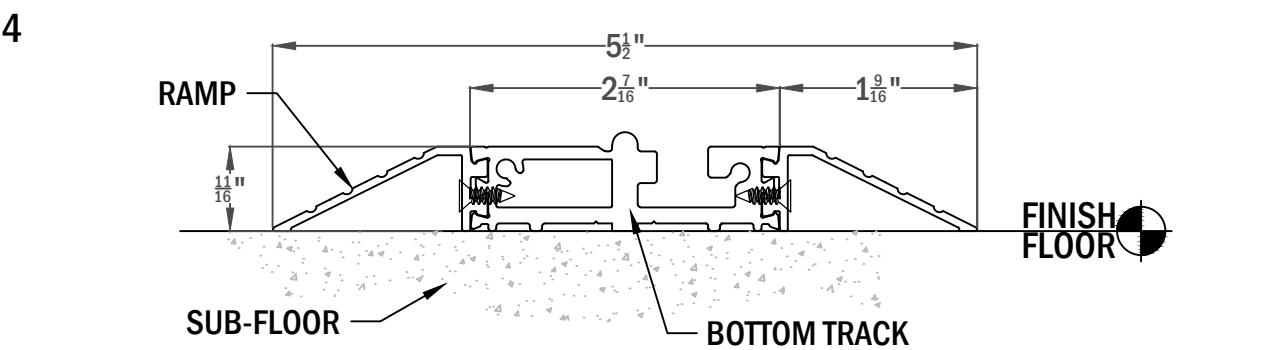
**OPTION 2**



**OPTION 3**

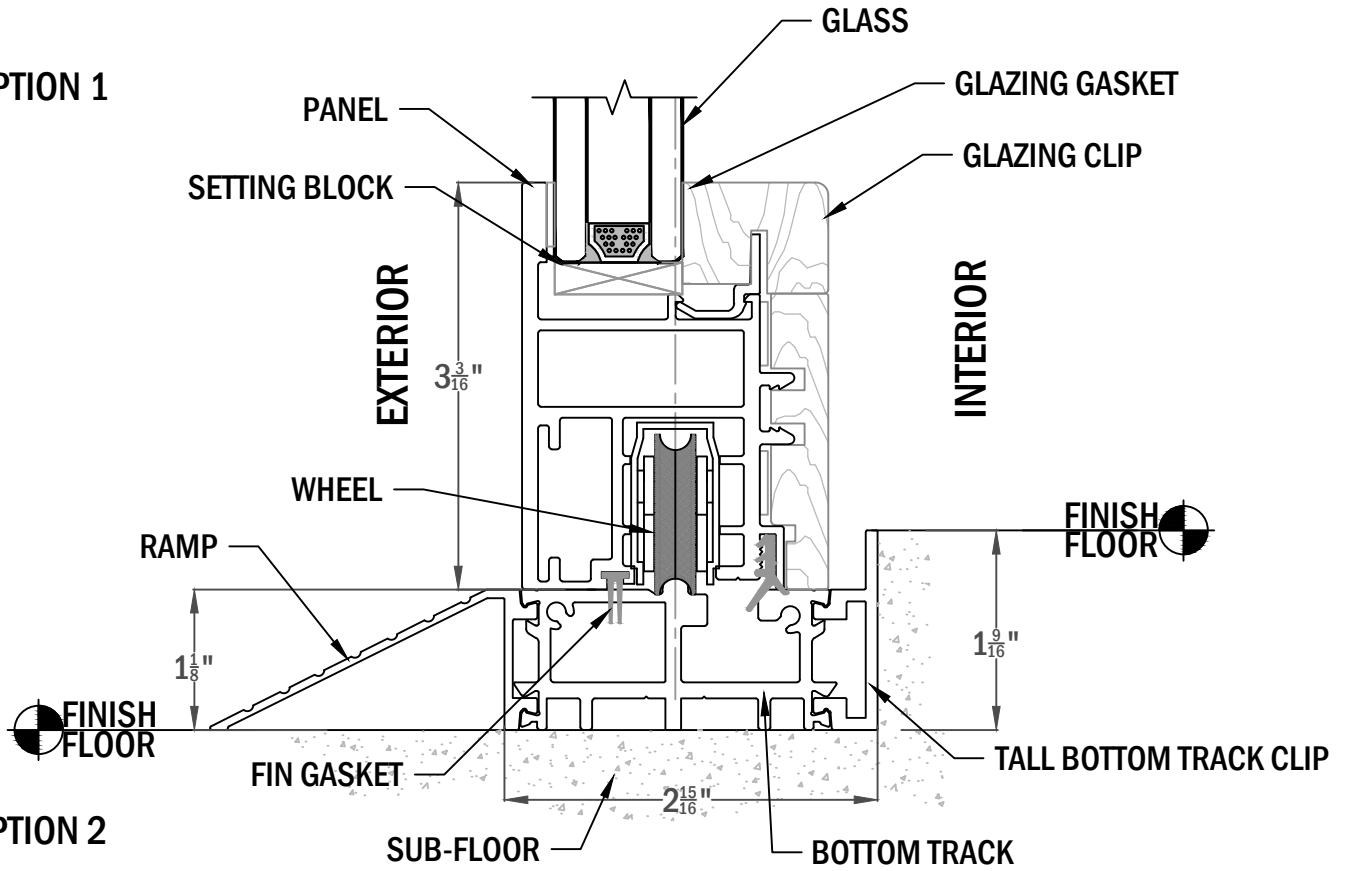


**OPTION 4**

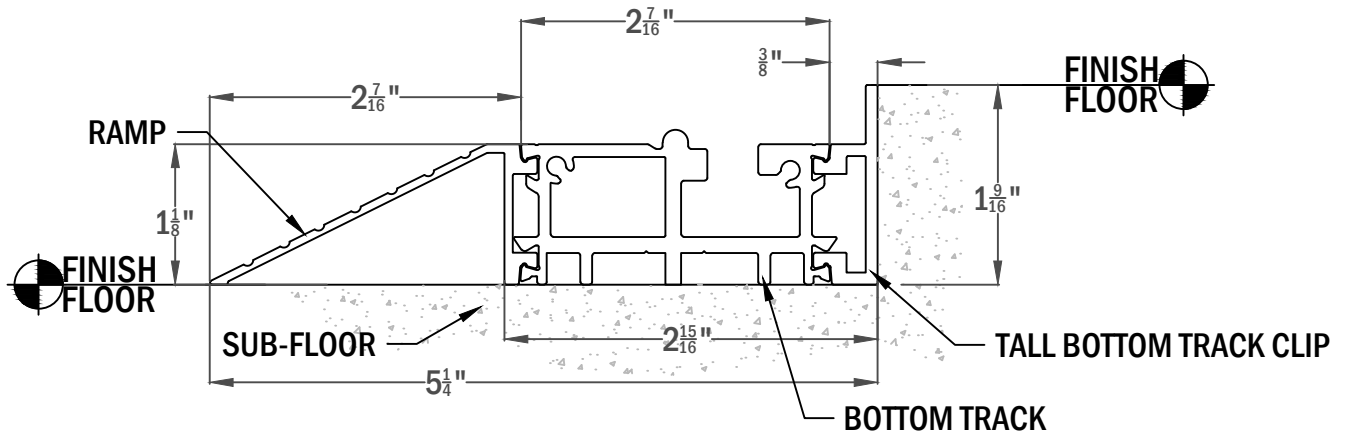




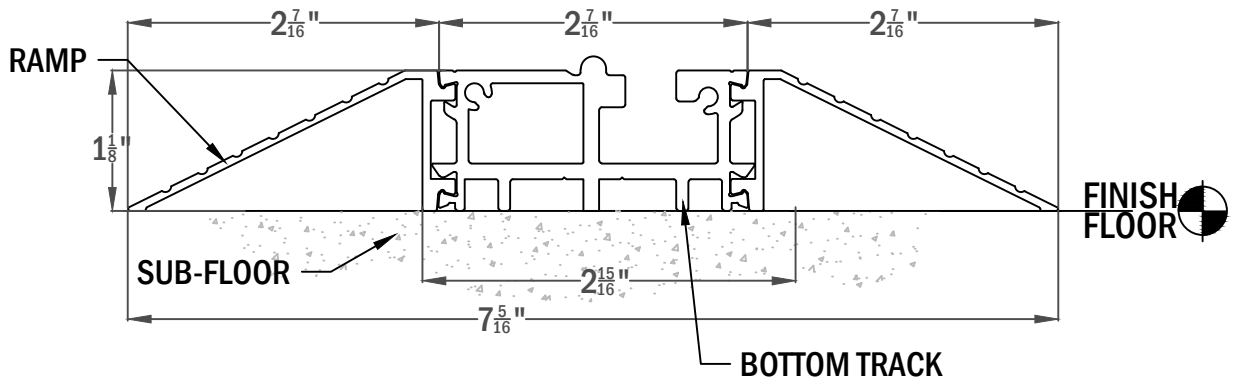
**OPTION 1**



**OPTION 2**



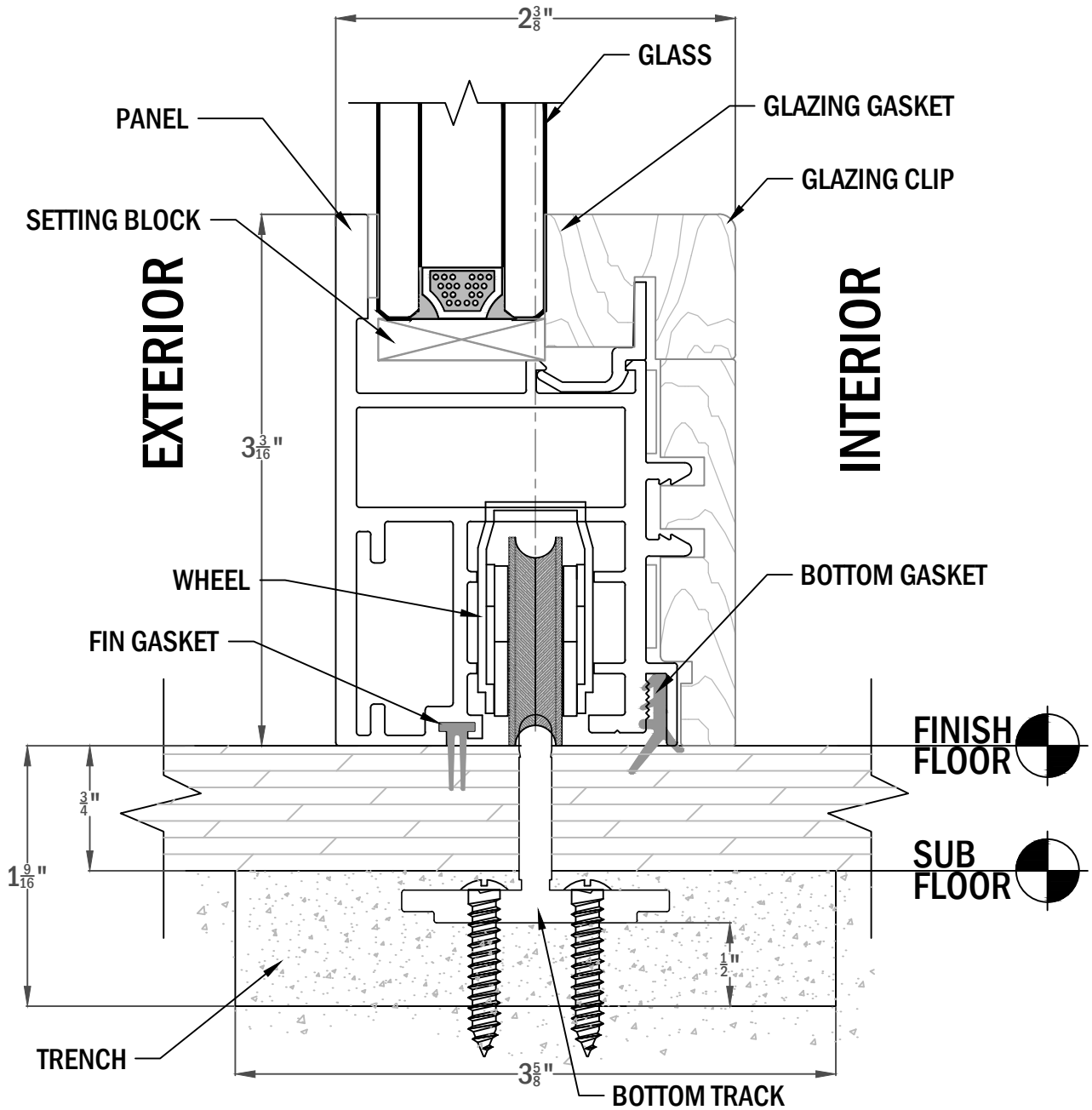
**OPTION 3**





**RECOMMENDED TRENCH WIDTH:**

- 1 TRACK : 3 5/8" WIDE
- 2 TRACK: 6 9/16" WIDE
- 3 TRACK: 9 1/2" WIDE
- 4 TRACK: 12 3/8" WIDE
- 5 TRACK: 15 5/16" WIDE





**RECOMMENDED TRENCH WIDTH:**

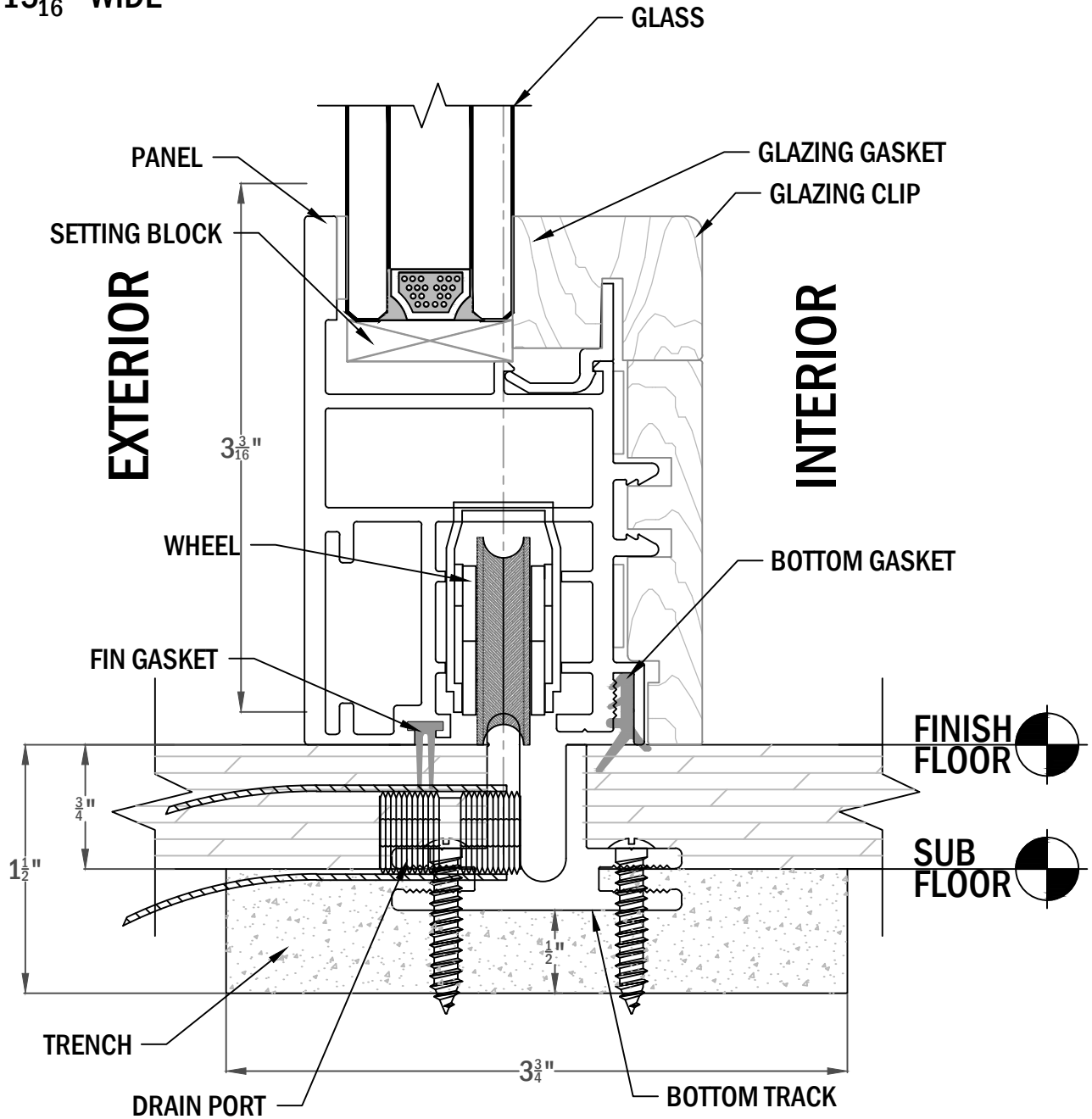
1 TRACK : 3 3/4" WIDE

2 TRACK : 6 11/16" WIDE

3 TRACK : 9 5/8" WIDE

4 TRACK : 12 9/16" WIDE

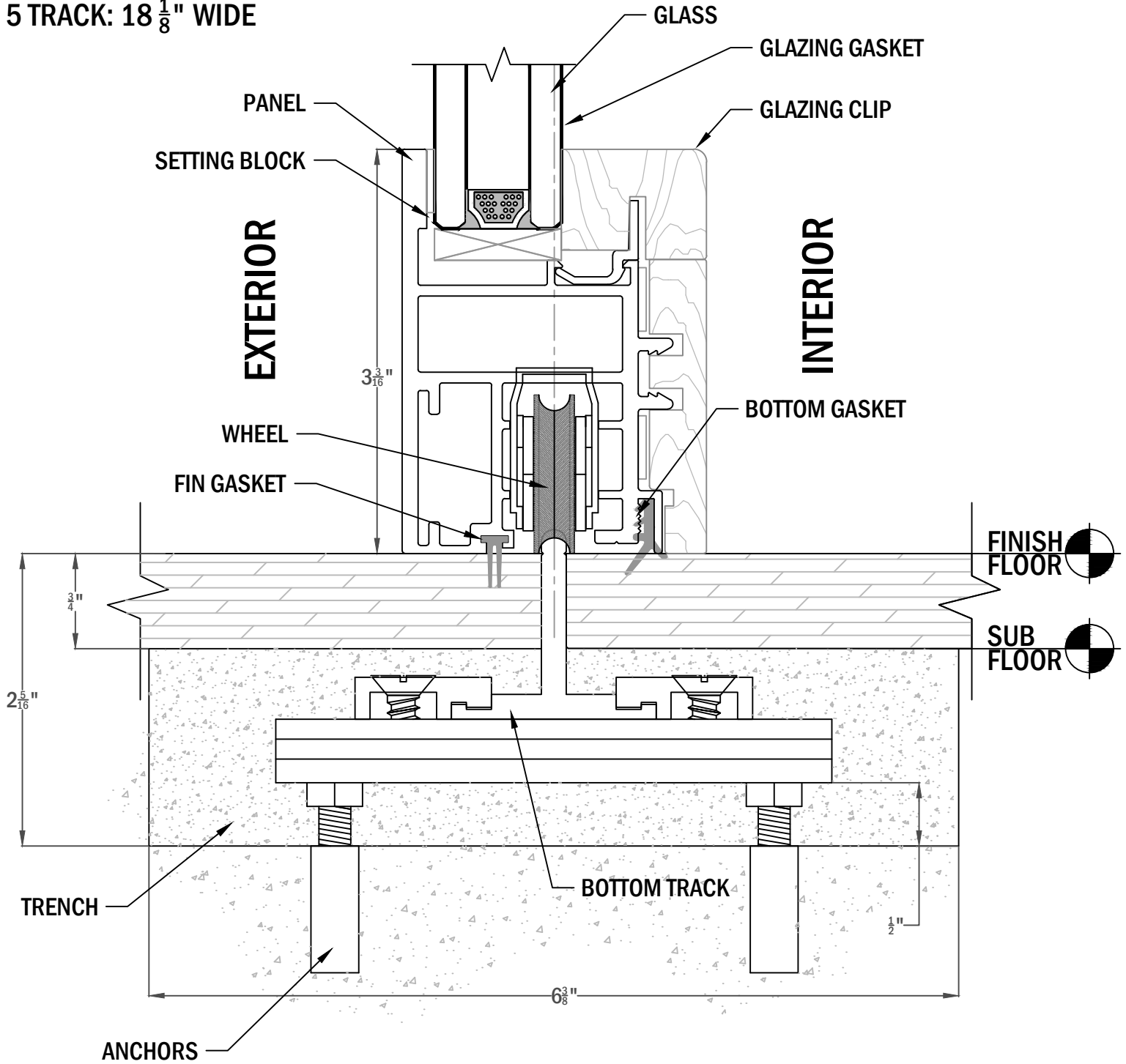
5 TRACK : 15 7/16" WIDE





**RECOMMENDED TRENCH WIDTH:**

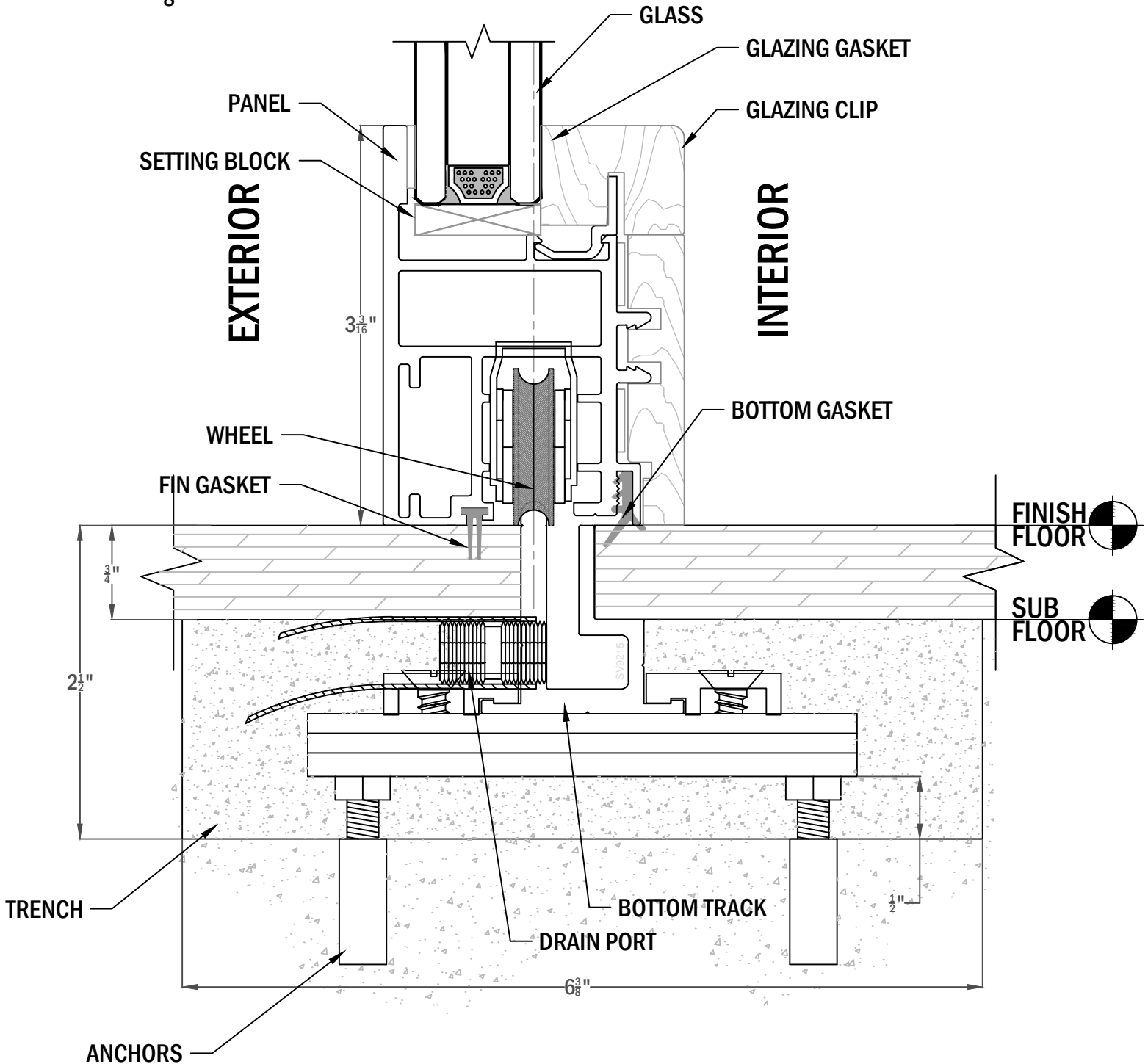
- 1 TRACK : 6 3/8" WIDE
- 2 TRACK: 9 5/16" WIDE
- 3 TRACK: 12 1/4" WIDE
- 4 TRACK: 15 3/16" WIDE
- 5 TRACK: 18 1/8" WIDE





**RECOMMENDED TRENCH WIDTH:**

- 1 TRACK: 6 3/8" WIDE
- 2 TRACK: 9 5/16" WIDE
- 3 TRACK: 12 1/4" WIDE
- 4 TRACK: 15 3/16" WIDE
- 5 TRACK: 18 1/8" WIDE

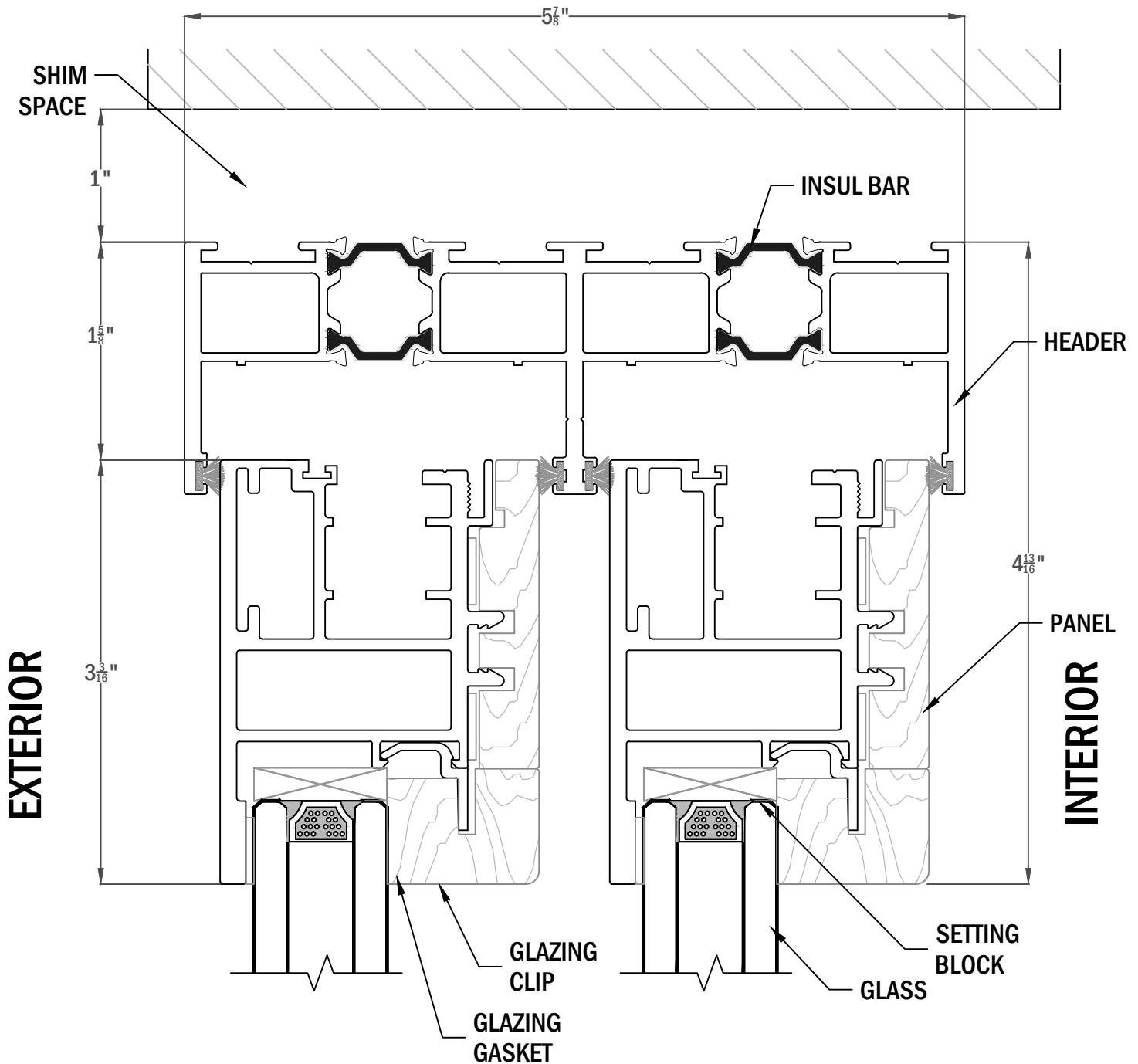






**HEADER WIDTH:**

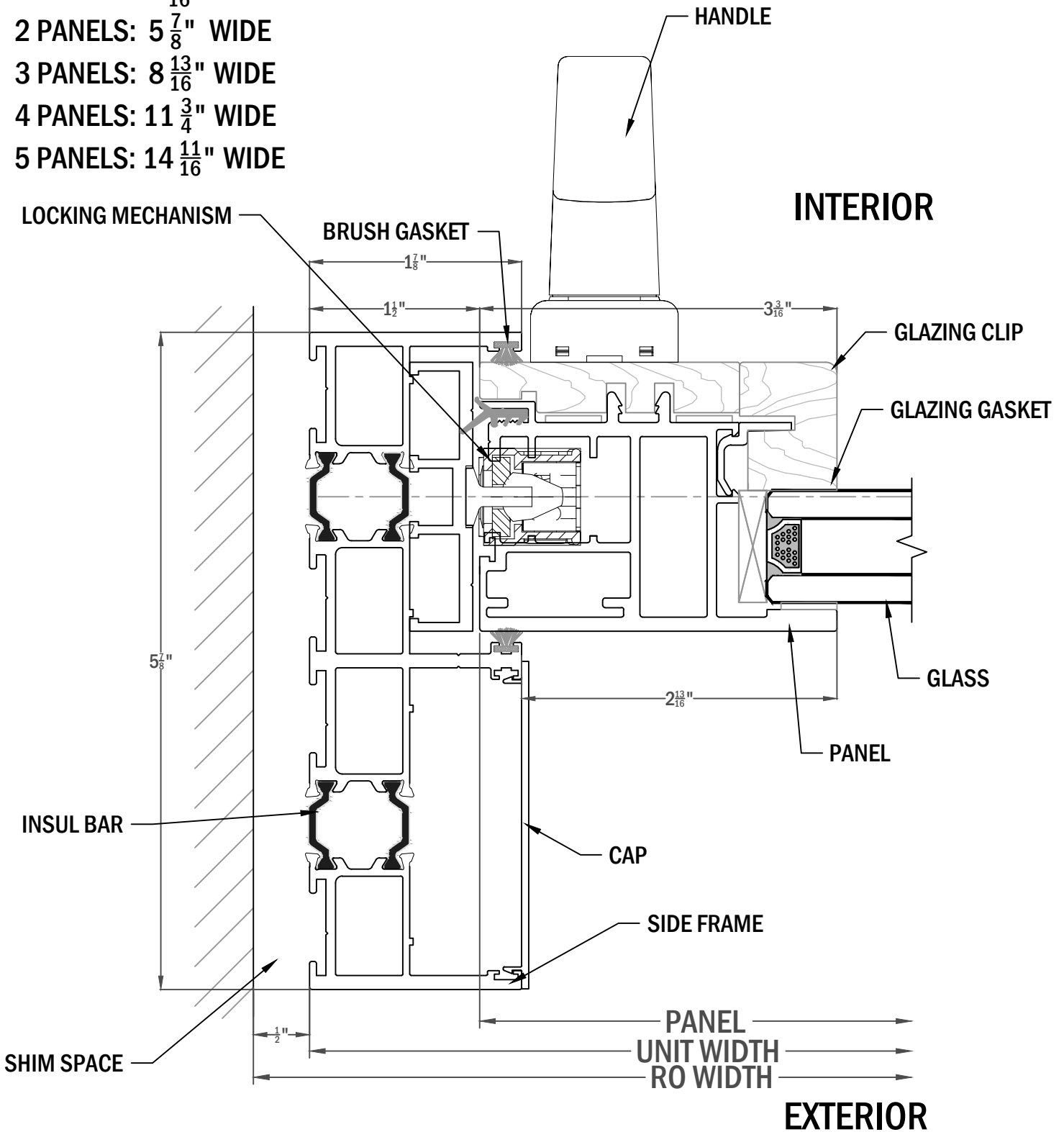
- 1 PANEL:  $2 \frac{15}{16}$ " WIDE
- 2 PANELS:  $5 \frac{7}{8}$ " WIDE
- 3 PANELS:  $8 \frac{13}{16}$ " WIDE
- 4 PANELS:  $11 \frac{3}{4}$ " WIDE
- 5 PANELS:  $14 \frac{11}{16}$ " WIDE

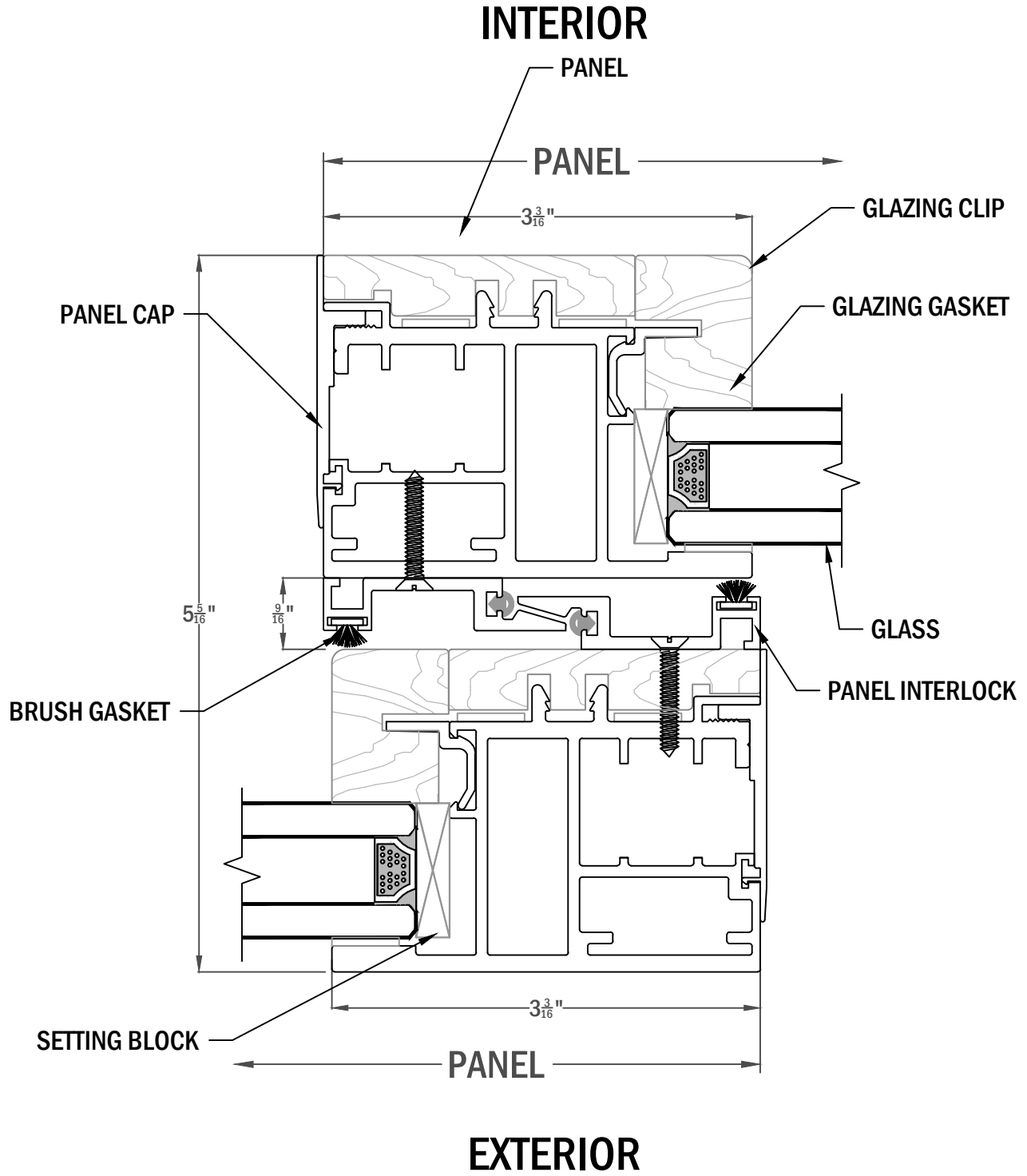


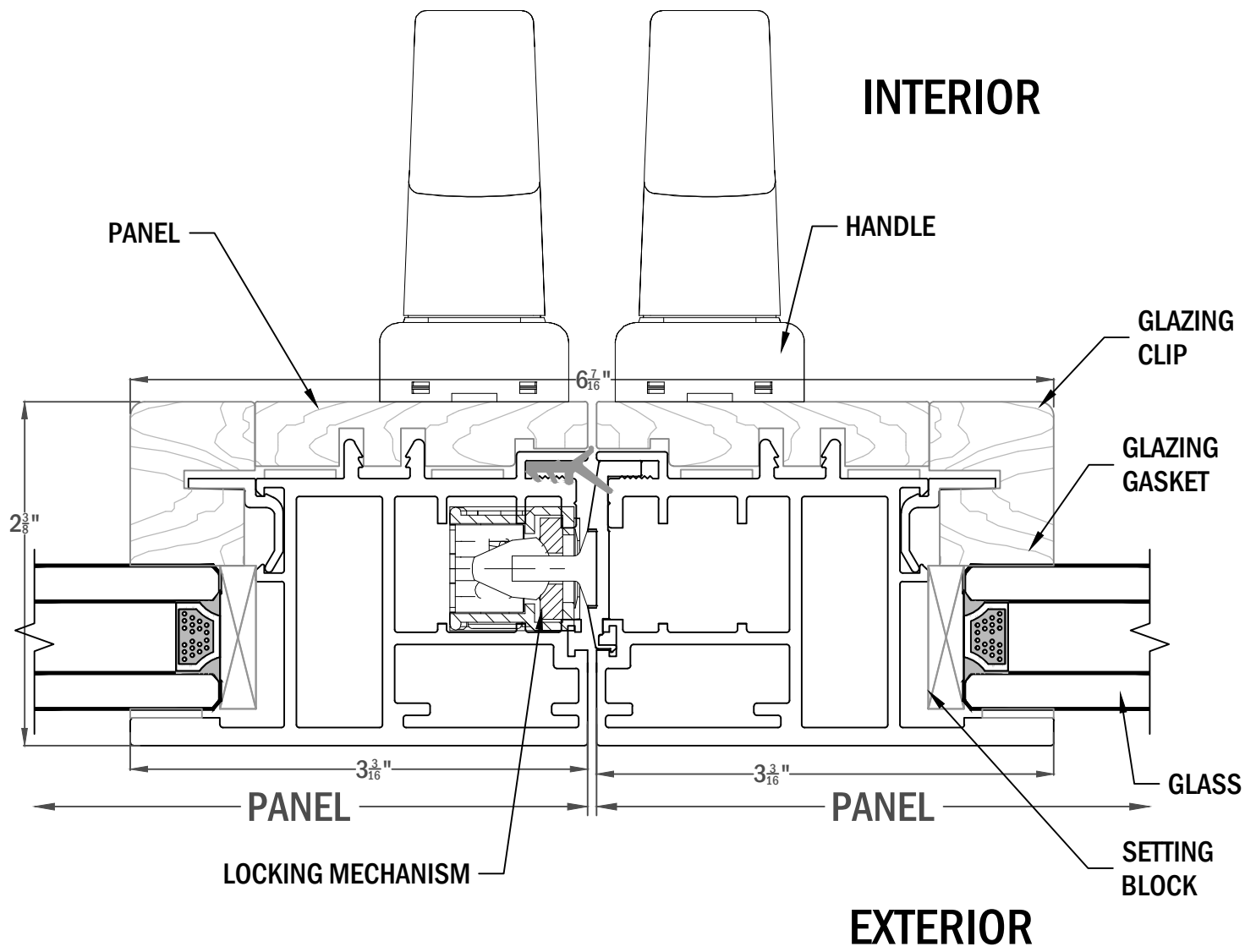


**SIDE FRAME WIDTH:**

- 1 PANEL:  $2 \frac{15}{16}$ " WIDE
- 2 PANELS:  $5 \frac{7}{8}$ " WIDE
- 3 PANELS:  $8 \frac{13}{16}$ " WIDE
- 4 PANELS:  $11 \frac{3}{4}$ " WIDE
- 5 PANELS:  $14 \frac{11}{16}$ " WIDE









**RECOMMENDED POCKET WIDTH:**

- 1 PANEL:  $3 \frac{7}{16}$ " WIDE
- 2 PANELS:  $6 \frac{5}{8}$ " WIDE
- 3 PANELS:  $9 \frac{9}{16}$ " WIDE
- 4 PANELS:  $12 \frac{1}{2}$ " WIDE
- 5 PANELS:  $15 \frac{7}{16}$ " WIDE

