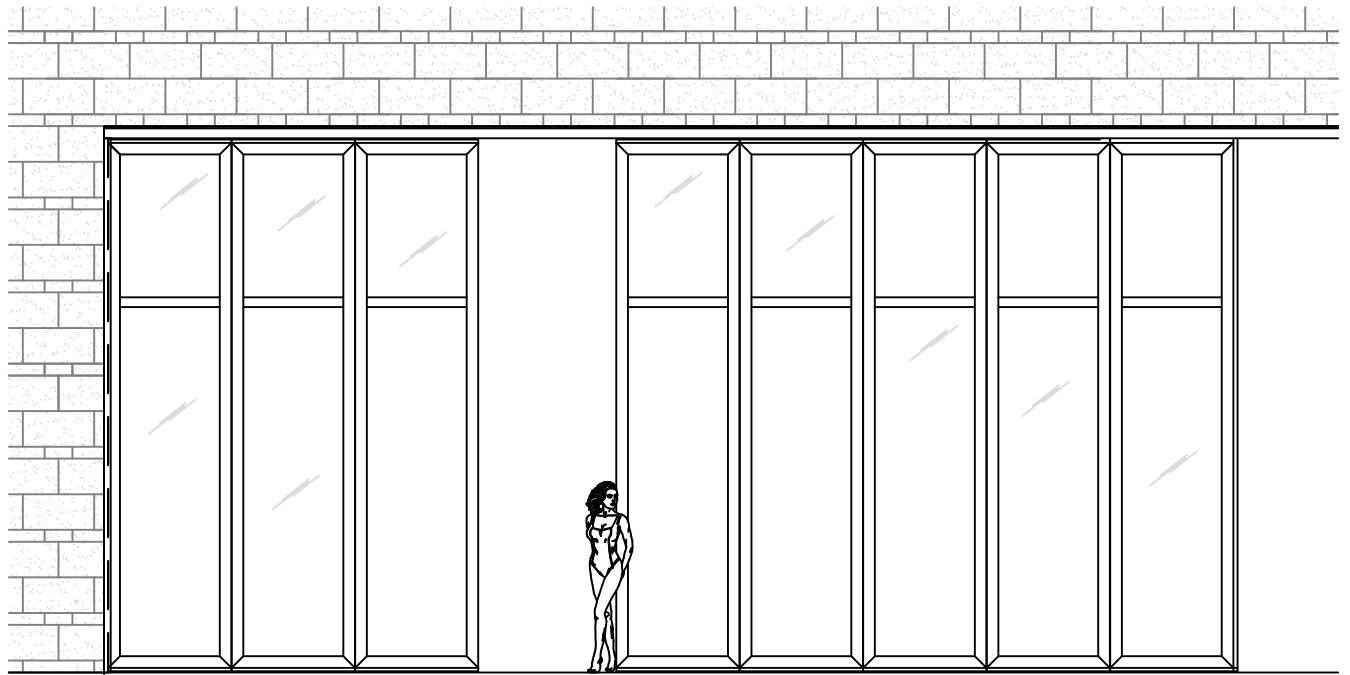


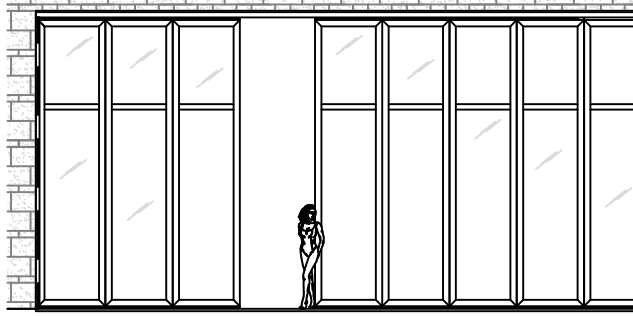
OPERABLE WALL SYSTEM



3415 BELLINGTON RD N.LAS VEGAS, NV 89030
PANDA@PANDA-WINDOWS.COM

WWW.PANDA-WINDOWS.COM

PHONE:(702) 643-5700
FAX: (702) 643-5715



CONTENTS

1. TECHNICAL DESCRIPTION
2. HORIZONTAL SECTION
3. TOP TRACK
4. SELF GUIDING TRACK
5. MANUAL TRACK
6. BOTTOM TRACK
7. SIDE FRAME



3415 BELLINGTON RD N. LAS VEGAS, NV 89030
PANDA@PANDA-WINDOWS.COM WWW.PANDA-WINDOWS.COM

PHONE: (702) 643-5700
FAX: (702) 643-5715

DRAWINGS AND LAYOUT BY
SHAWN M. HORNER
MMX

The Panda Operable Wall System is one of the most versatile systems introduced by Panda Windows & Doors. This system allows a room to be divided into separate interior spaces, or to divide the interior from the exterior. Designed to truly create an “operable wall” this system is available in very large sizes to span oversized openings, while panel storage in the open position is very minimal.

Profiles:

Profiles are manufactured from 6063-T5 extruded aluminum with a wall thickness of up to 1/8” allowing for oversized panels. Each panel can be in excess of 70 square feet in size and over 14' in height.

Finishes:

The system may be finished in Powder Coat (standard), Anodized, or Kynar. Custom color matching available.

Running:

The Galaxy utilizes specially designed track systems and quad rollers to support panels in top hung configurations. Tracks may be set to direct panels in the specified directions.

Configuration:

Each door system is custom built to support the needs of many projects. Configurations made up of many panels may support large openings in an array of angles to partition off nearly any size and shape space.

Adjustments:

Header track may be easily adjusted over time to keep the system level for optimal operation.

Glazing:

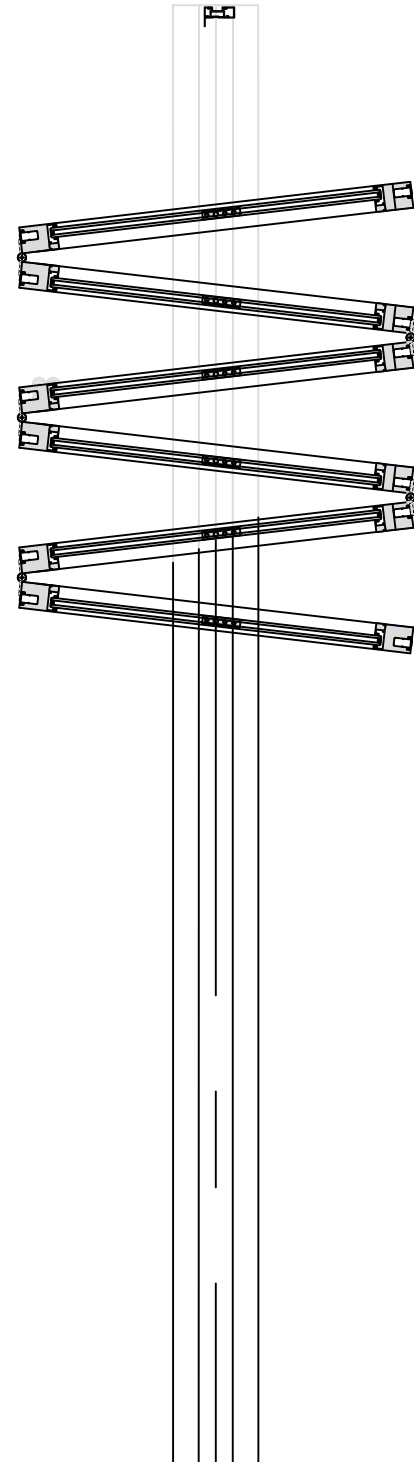
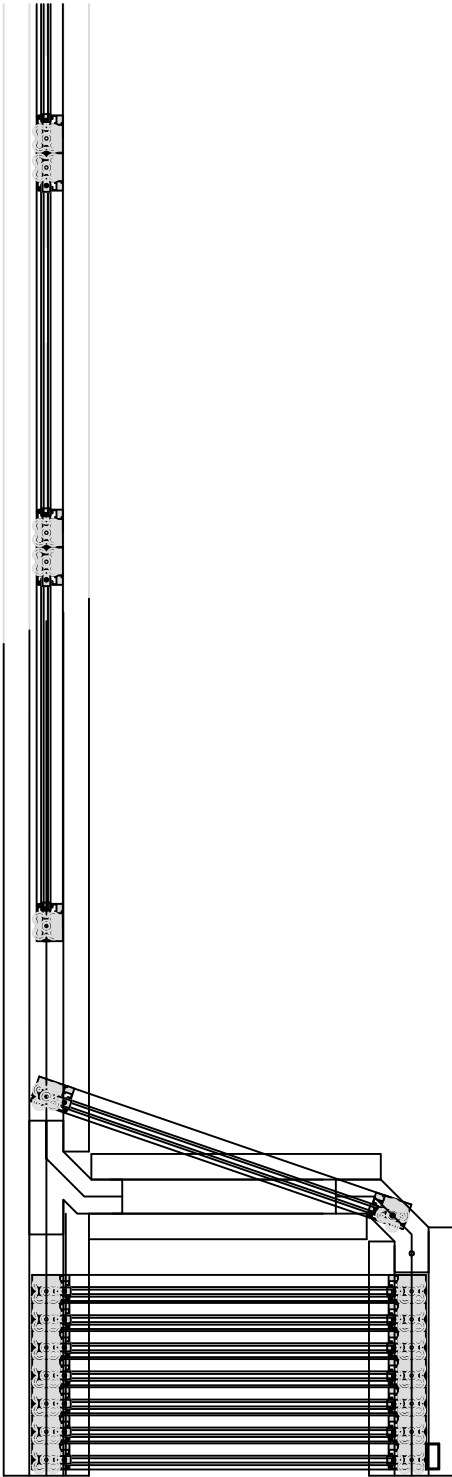
Any type of glazing up to 1 7/8” in thickness may be used. Standard is 1” Tempered LowE IG.

Weight:

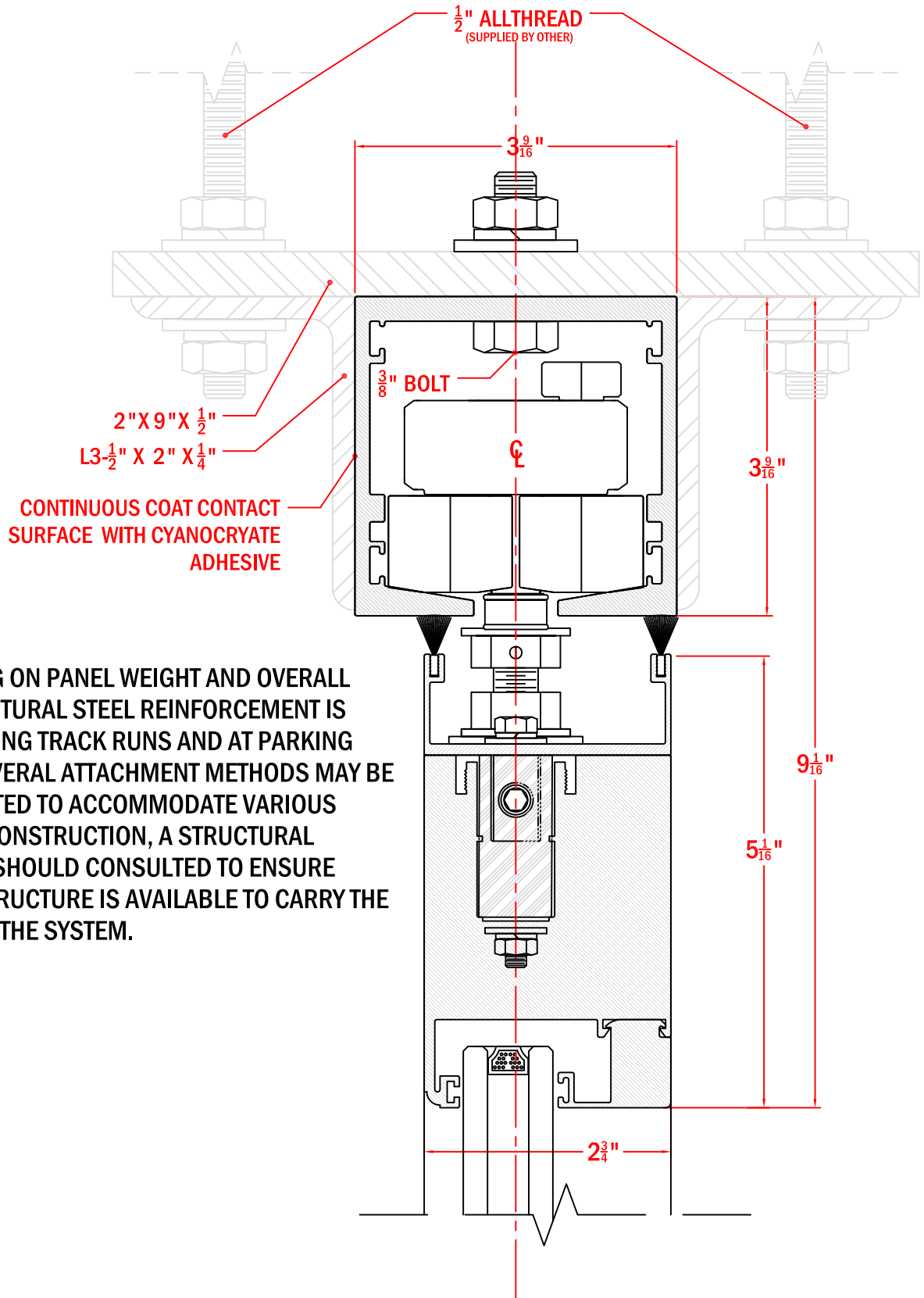
Each panel weight approximately 7 to 8 LBS per square foot

- INDIVIDUAL PANELS ALLOW FOR THE GREATEST VARIETY OF CONFIGURATIONS
- ABLE TO EASILY ACCOMMODATE PANEL WEIGHTS IN EXCESS OF 1000 LBS
- PANEL WIDTHS UP TO 72 INCHES
- PANEL HEIGHTS UP TO 192 INCHES

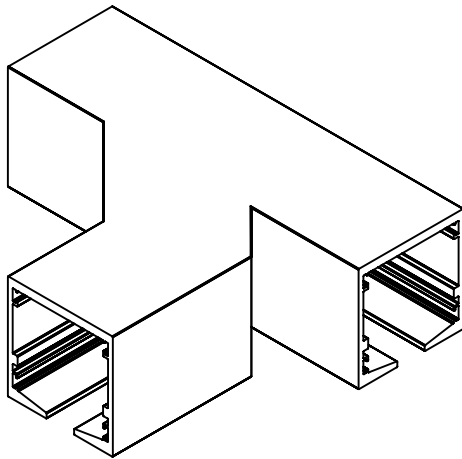
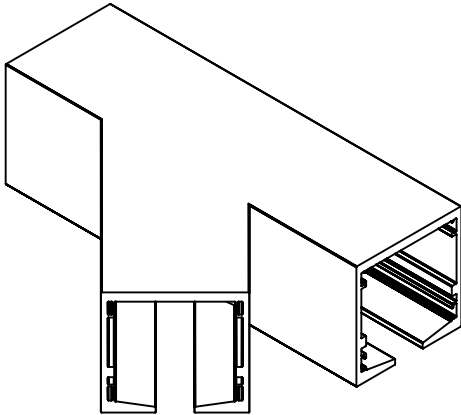
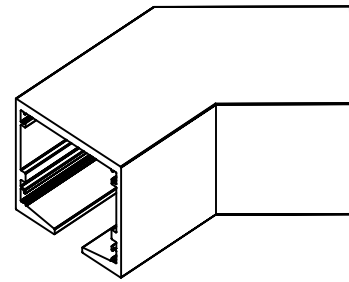
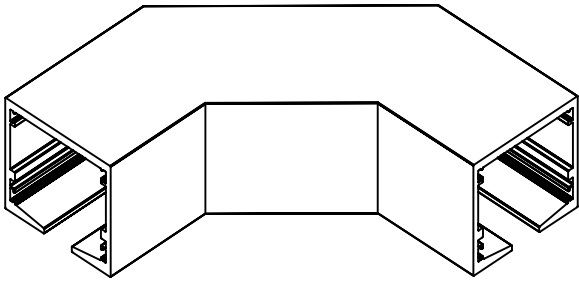
- FOLDING/PIVOTING PANELS ALLOW FOR EASE OF OPERATION
- ABLE TO EASILY ACCOMMODATE PANEL WEIGHTS IN EXES OF 550 LBS
- PANEL WIDTHS UP TO 60 INCHES
- PANEL HEIGHTS UP TO 168 INCHES



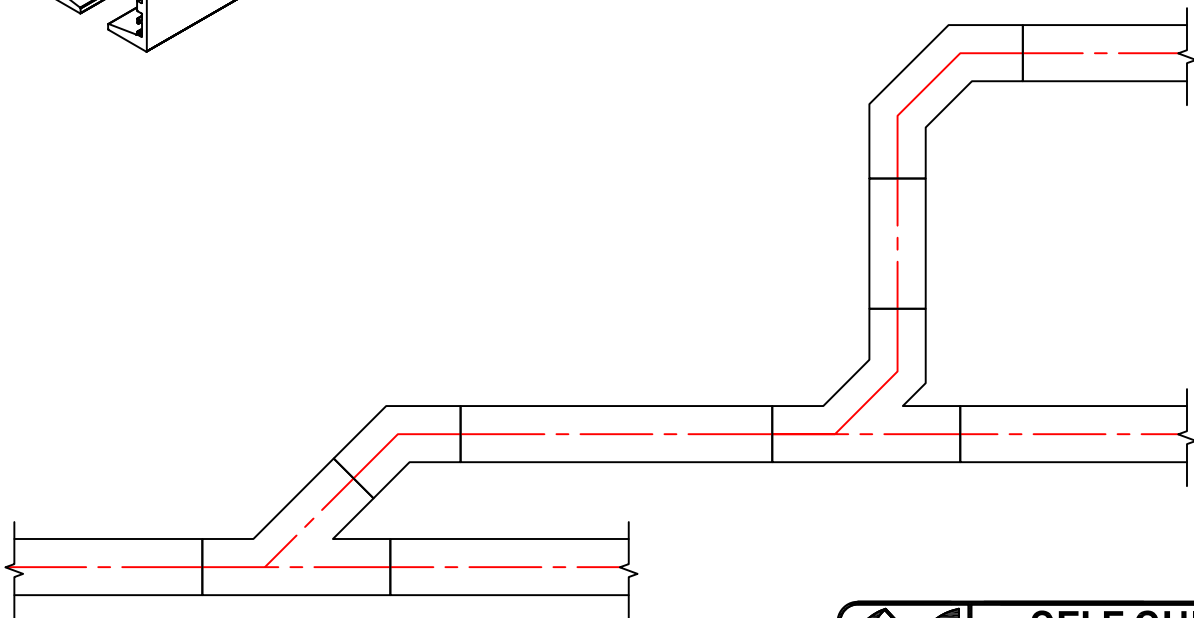
STANDARD GLASS $\frac{1}{4} \times \frac{1}{2} \times \frac{1}{4}$
 CLEAR LOW-E INSULATED

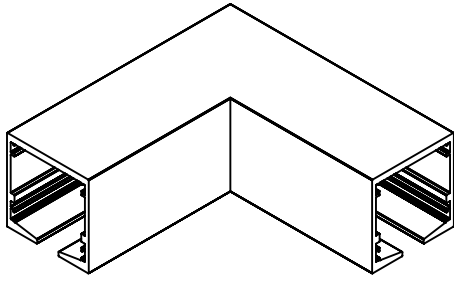


DEPENDING ON PANEL WEIGHT AND OVERALL SIZE STRUCTURAL STEEL REINFORCEMENT IS ADDED ALONG TRACK RUNS AND AT PARKING AREAS. SEVERAL ATTACHMENT METHODS MAY BE IMPLEMENTED TO ACCOMMODATE VARIOUS TYPES OF CONSTRUCTION, A STRUCTURAL ENGINEER SHOULD CONSULTED TO ENSURE PROPER STRUCTURE IS AVAILABLE TO CARRY THE WEIGHT OF THE SYSTEM.

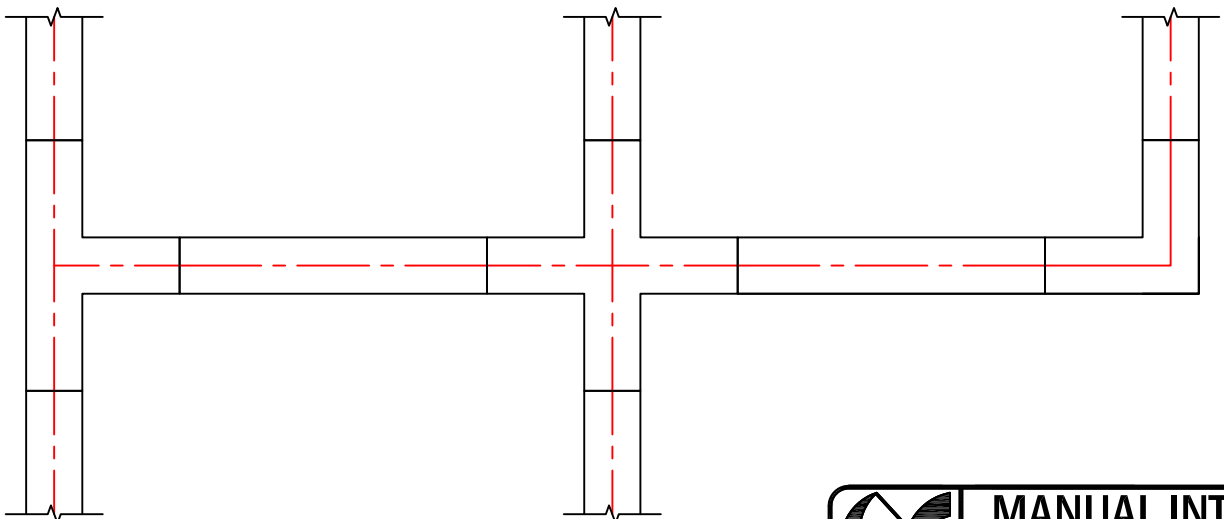
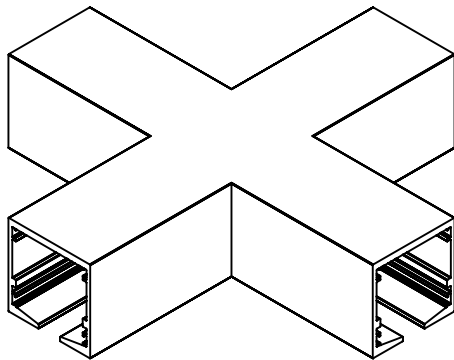
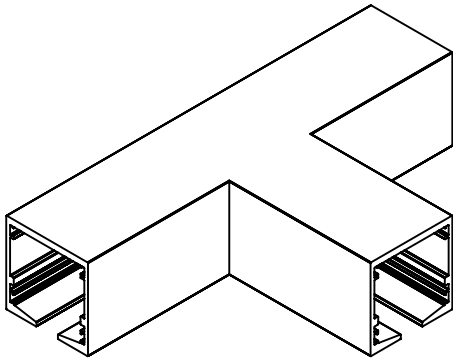


SELF GUIDING CORNERS ALLOW FOR SMOOTH TRANSITION THROUGH AN INFINITE VARIETY OF CONFIGURATIONS & PARKING CONDITIONS TO MEET THE NEED OF YOUR SPECIFIC JOB. CORNER CAN BE PROGRAMMED TO SELF STEER PANELS INTO THESE POSITIONS.

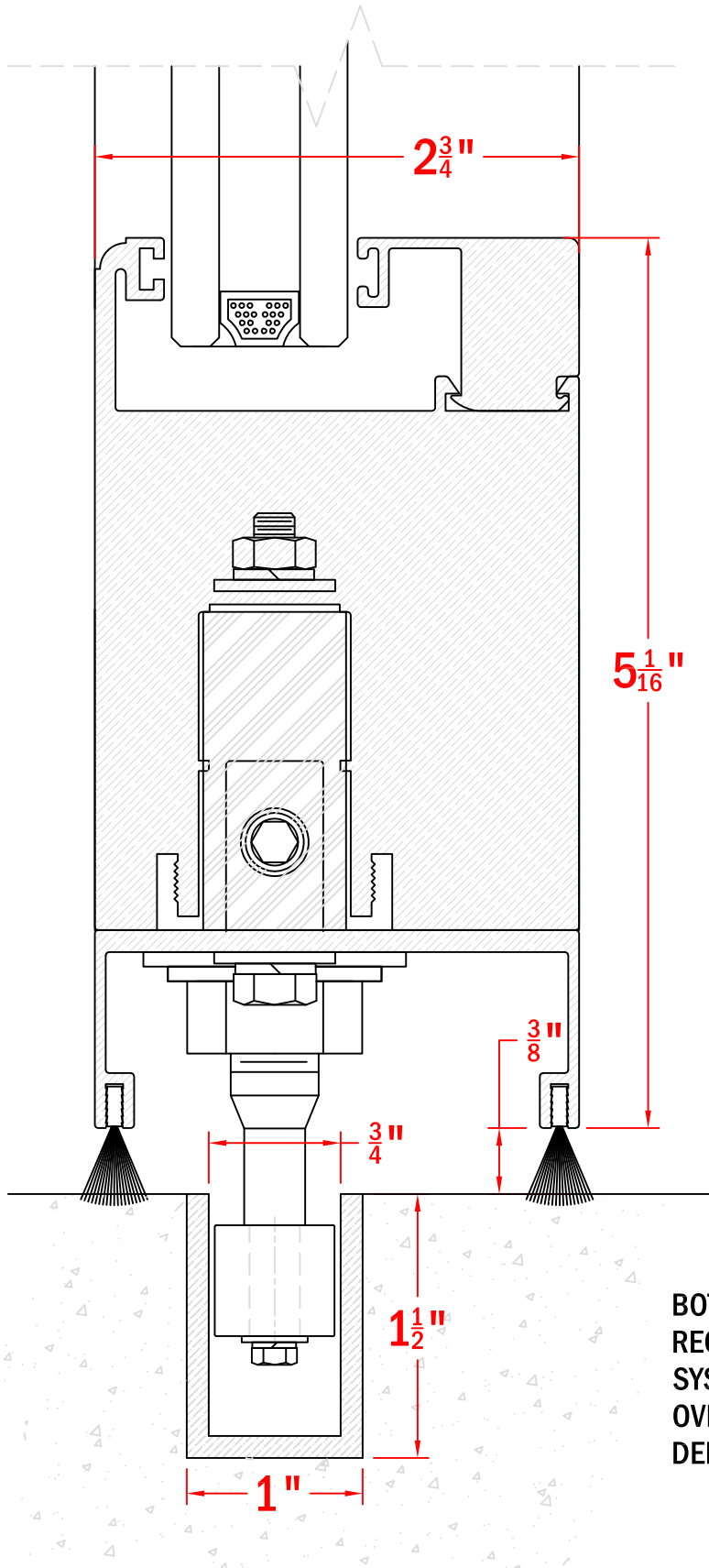




- USED TO CREATE TIGHT 90° CORNERS
- SPACE SAVER FOR LIMITED PARKING AREAS
- USED TO CONNECT MULTIPLE PANEL WALLS @ 90°
- ALLOWS PANELS TO TRAVEL TO VARIOUS POSITIONS

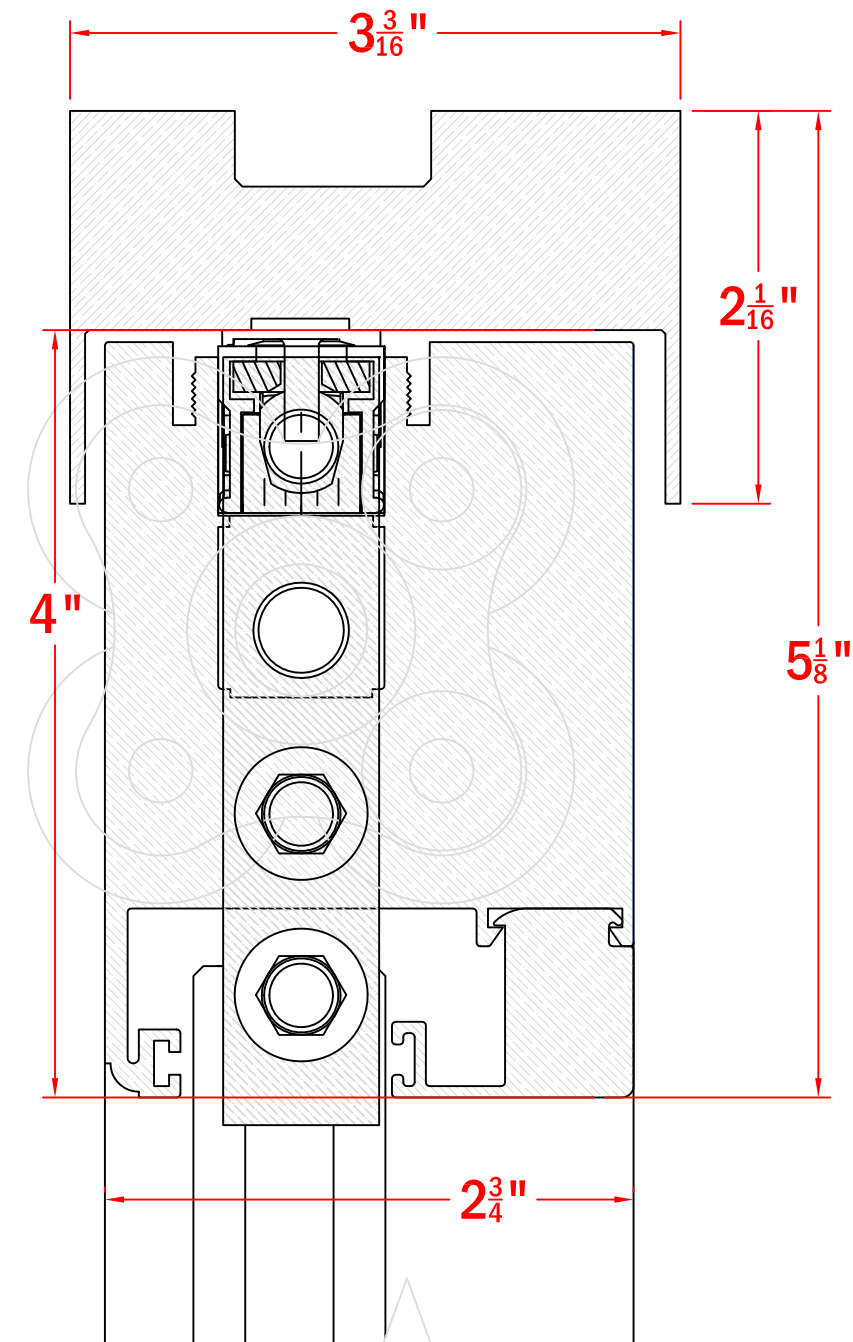


STANDARD GLASS $\frac{1}{4} \times \frac{1}{2} \times \frac{1}{4}$
CLEAR LOW-E INSULATED



**BOTTOM ROLLER GUIDE PIN AND TRACK
REQUIRED FOR ALL FOLDING OR PIVOTING
SYSTEMS AND INDIVIDUAL OPERABLE PANELS
OVER 120". SEVERAL TRACK TYPES AVAILABLE
DEPENDING ON FLOORING CONDITIONS.**

STANDARD GLASS $\frac{1}{4} \times \frac{1}{2} \times \frac{1}{4}$
CLEAR LOW-E INSULATED



SIDE FRAME AND PANEL PARKING
CONFIGURATIONS VARY AND ARE DESIGNED PER
THE REQUIREMENTS OF THE INDIVIDUAL
APPLICATION .