

**Profiles:**

Profiles are manufactured from 6063-T5 extruded aluminum with a wall thickness of up to 1/8" allowing for oversized panels. The door systems are available with either powder coat, Kynar or anodized finishes in virtually any color the customer chooses.

Tracking:

There are five types of tracks available to accommodate any flooring conditions, allowing for an almost seamless look with only 3/16" protrusion above the finished floor. All weight is carried on the bottom track, the top track serves as a guide.

Configurations:

These systems can accommodate up to 5 panel per unit.

Hardware:

The wheel carriages are comprised of stainless steel wheels and have a corrosion resistant treatment applied for high performance in coastal regions. Each wheel carriage can support up to 550 lbs . The operating mechanism includes a multi-point lock with a flush handle. The entire door system has specially designed EPDM gaskets to create a totally closed, weather tight system.

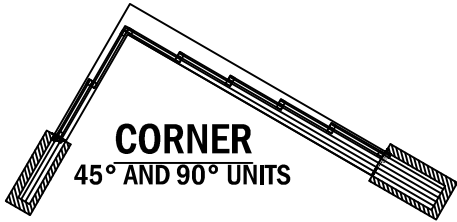
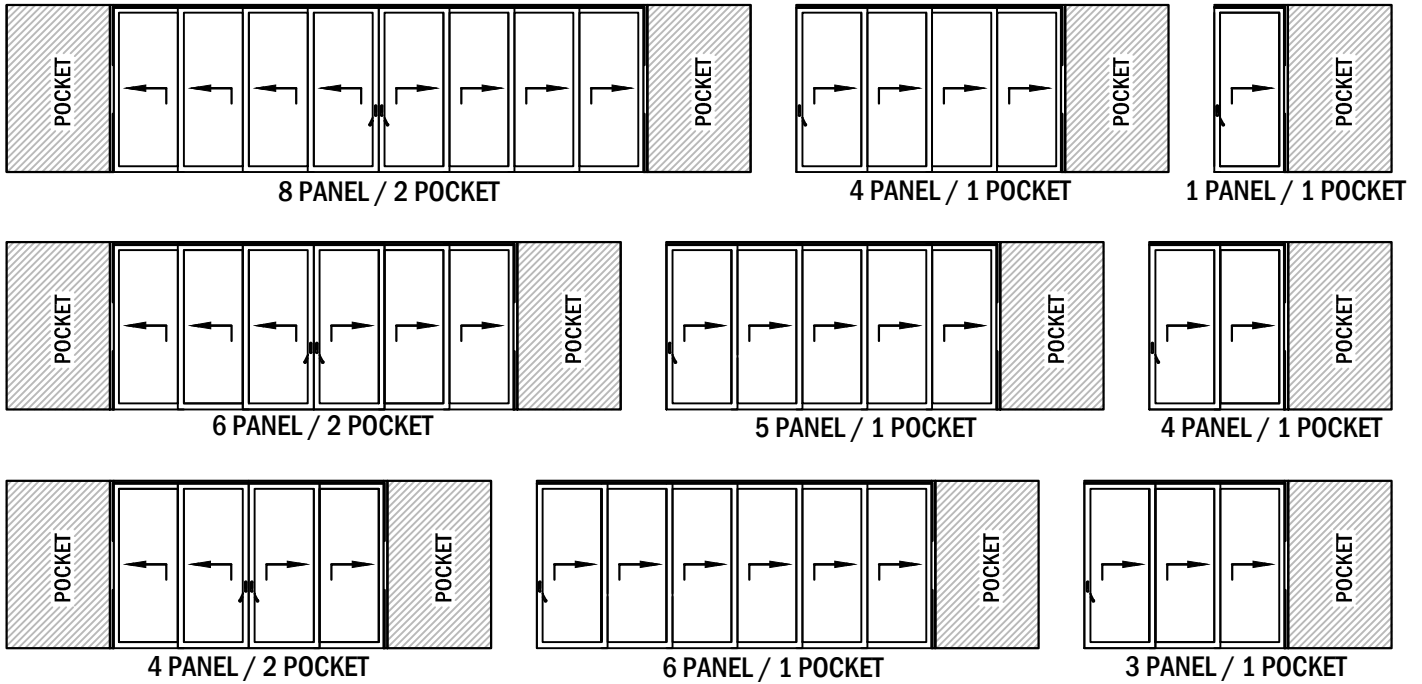
Weight:

Each panel weighs approximately 7 to 8 lbs per sq ft depending on overall panel size and glass configuration.

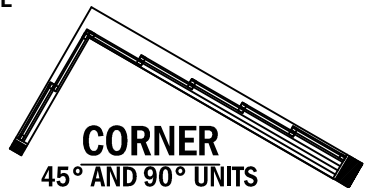
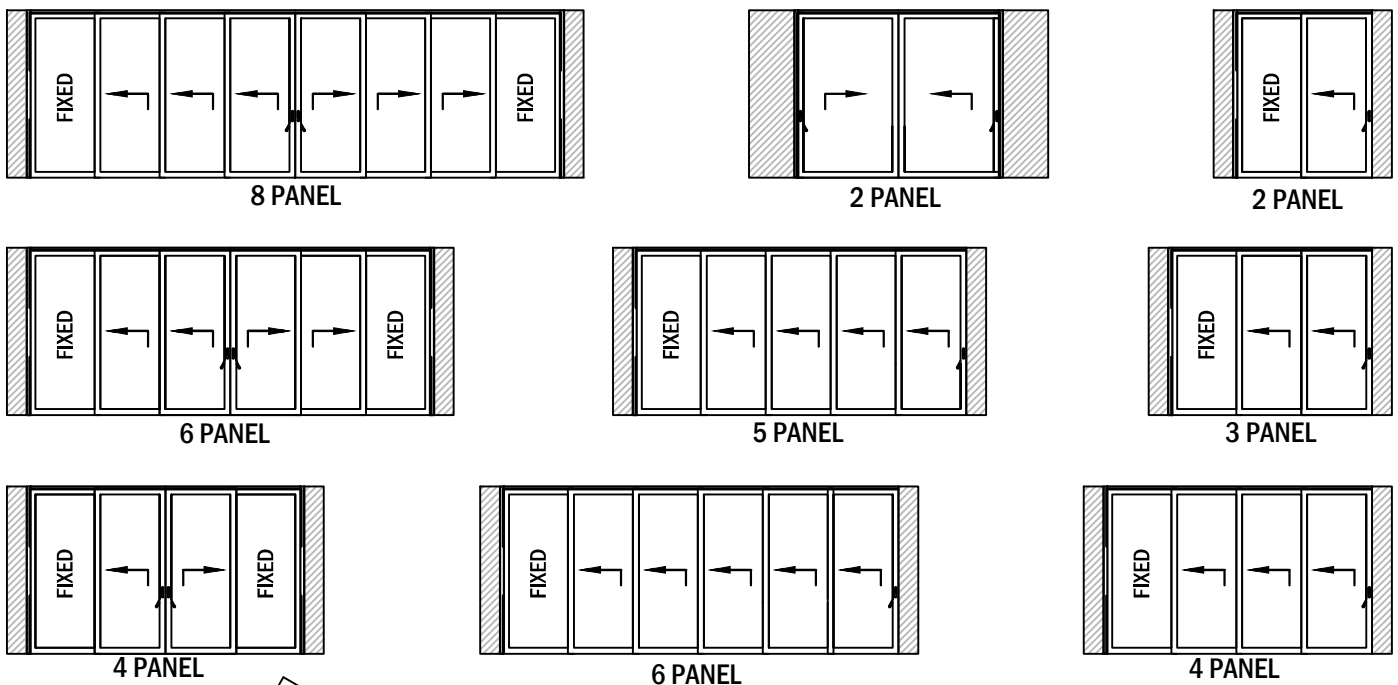
LTS30 AA PROFILE:**WIDTH: 2 $\frac{3}{8}$ "****HEIGHT: 3 $\frac{3}{16}$ "****GLASS THICKNESS:****1" AND 1 $\frac{3}{8}$ "****LTS30 AA MAX PANEL SIZE:****WIDTH: 5'-0"****HEIGHT: 10'-0"**



PANEL CONFIGURATION WITH POCKETS (SYSTEM CAN STACK LEFT AND/OR RIGHT)

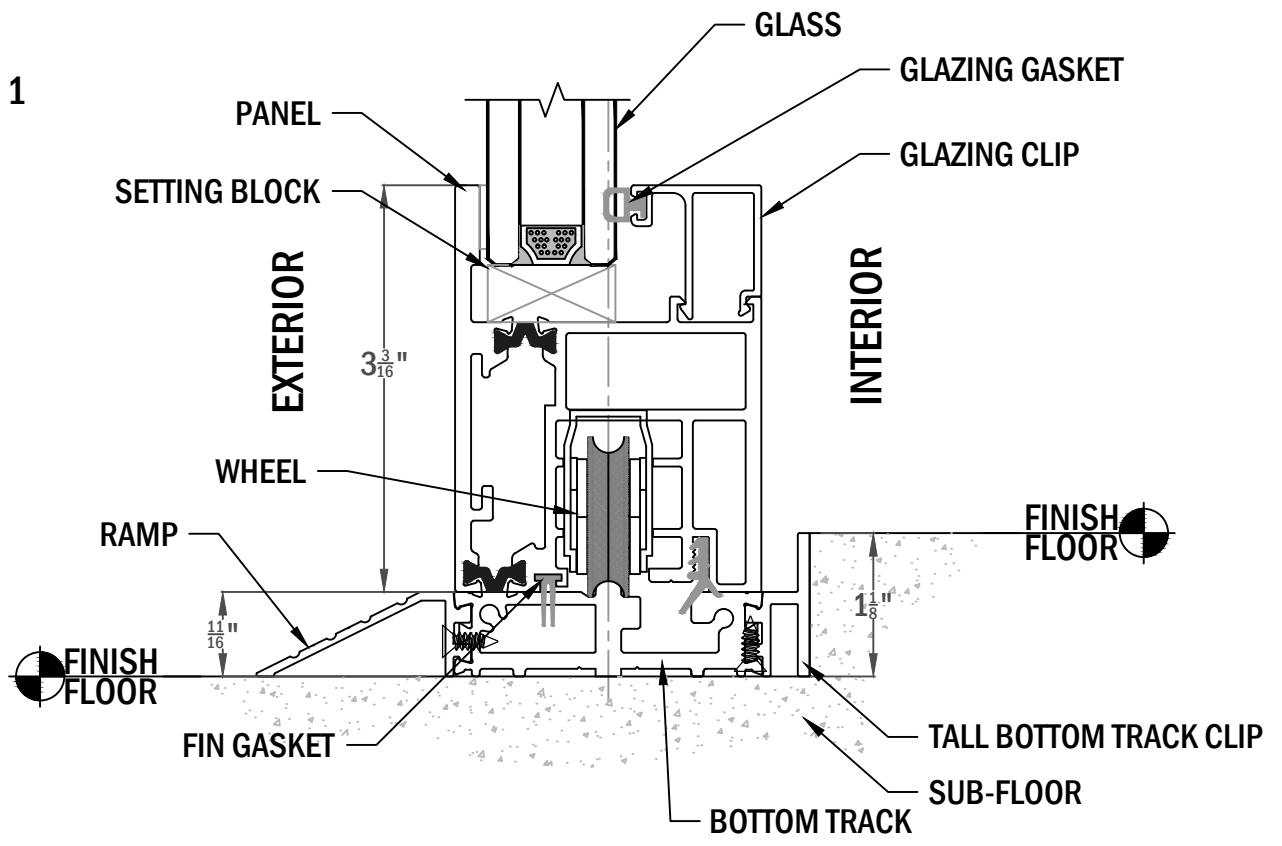


PANEL CONFIGURATION WITH FIXED PANEL (SYSTEM CAN STACK LEFT AND/OR RIGHT)

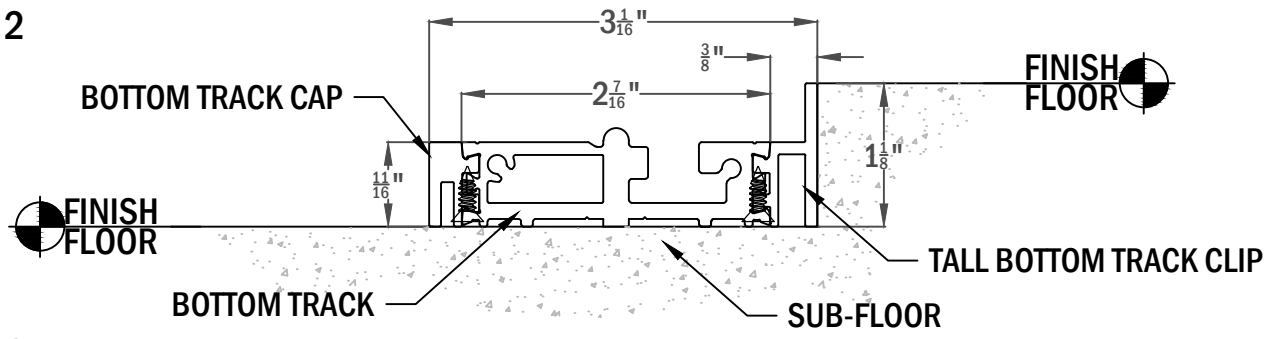




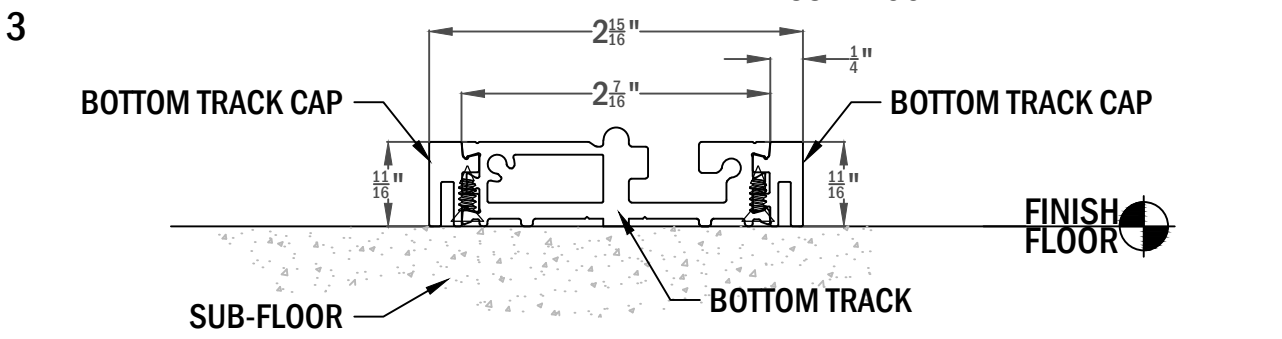
OPTION 1



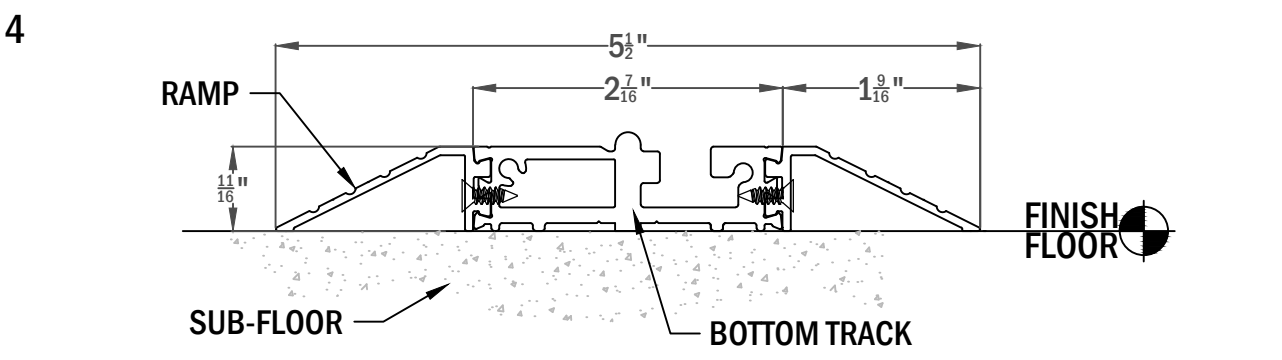
OPTION 2



OPTION 3

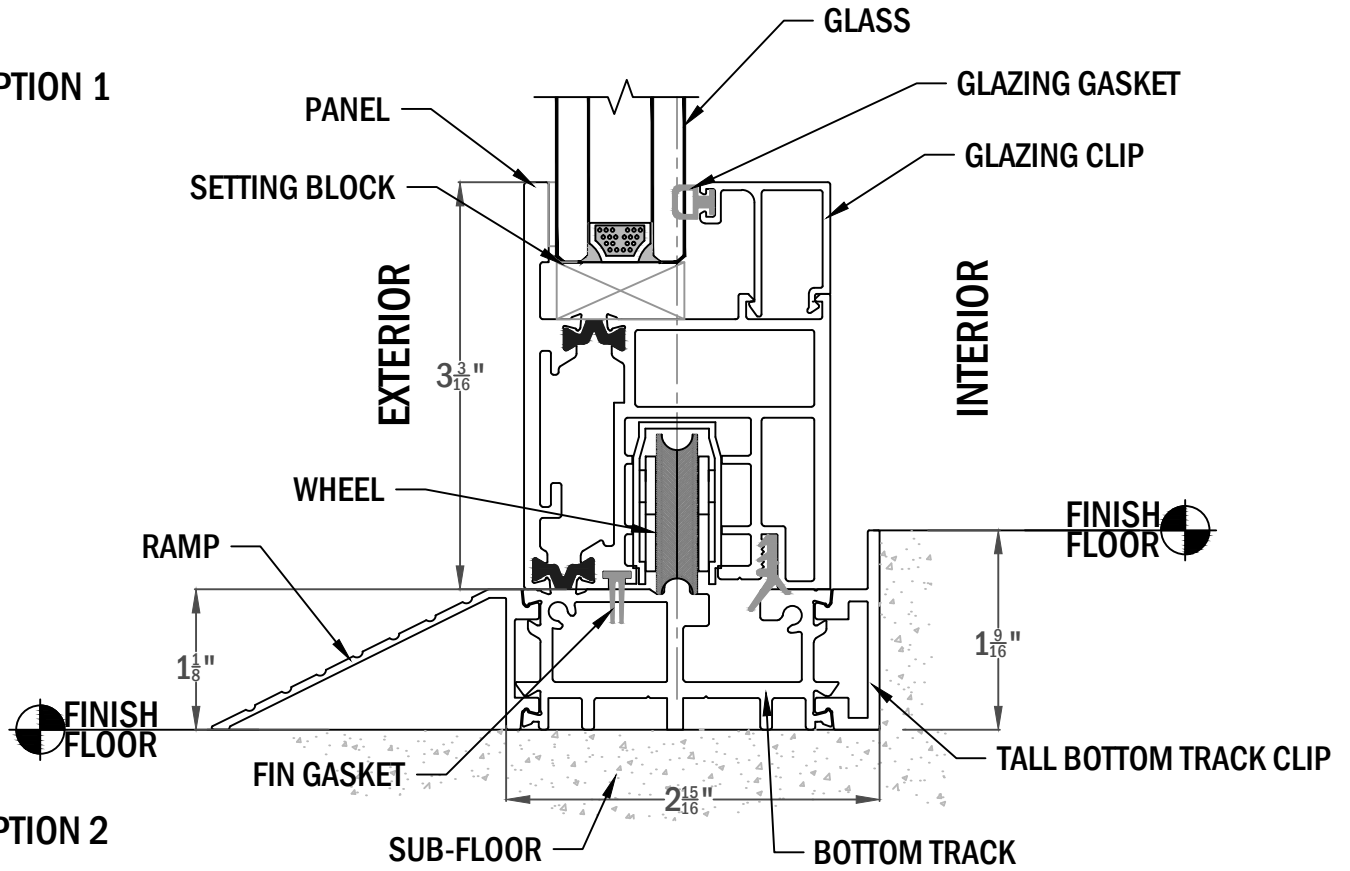


OPTION 4

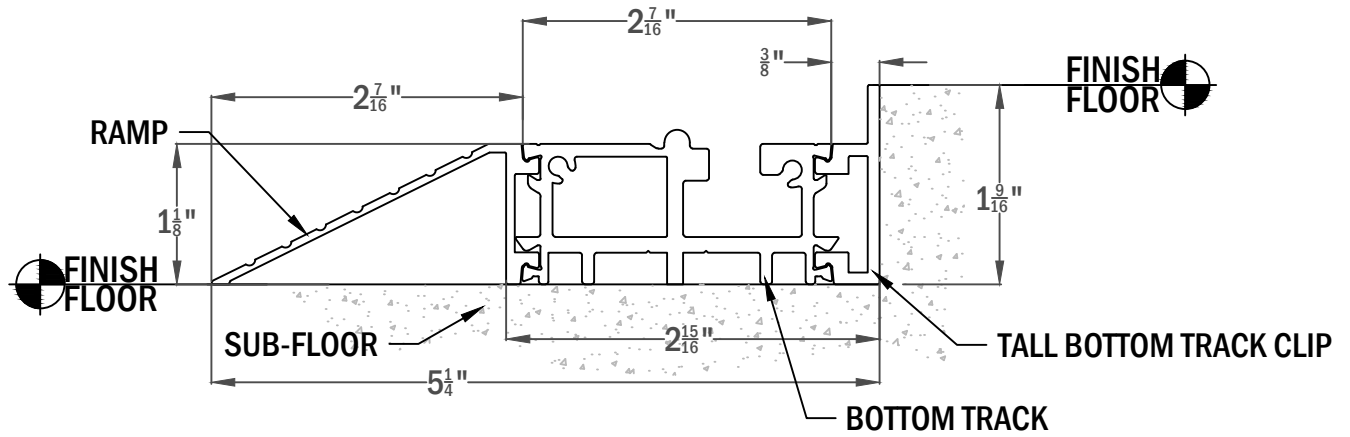




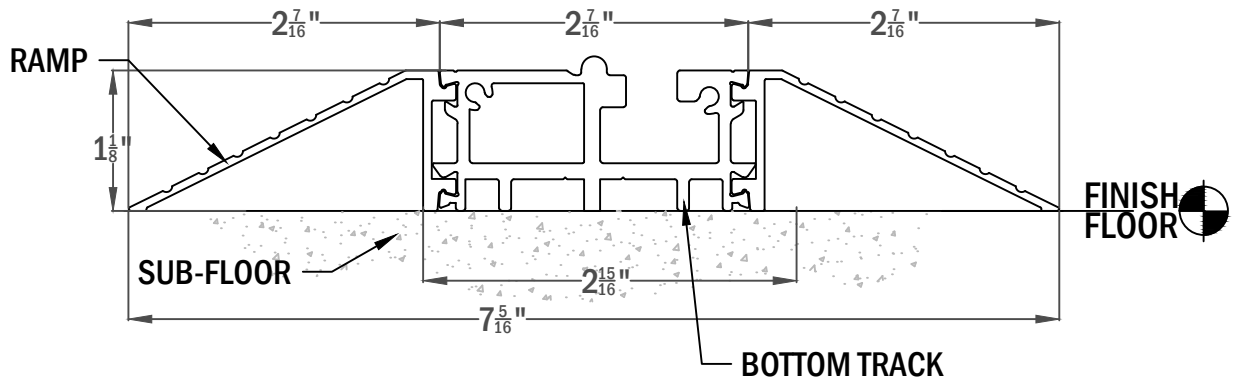
OPTION 1



OPTION 2



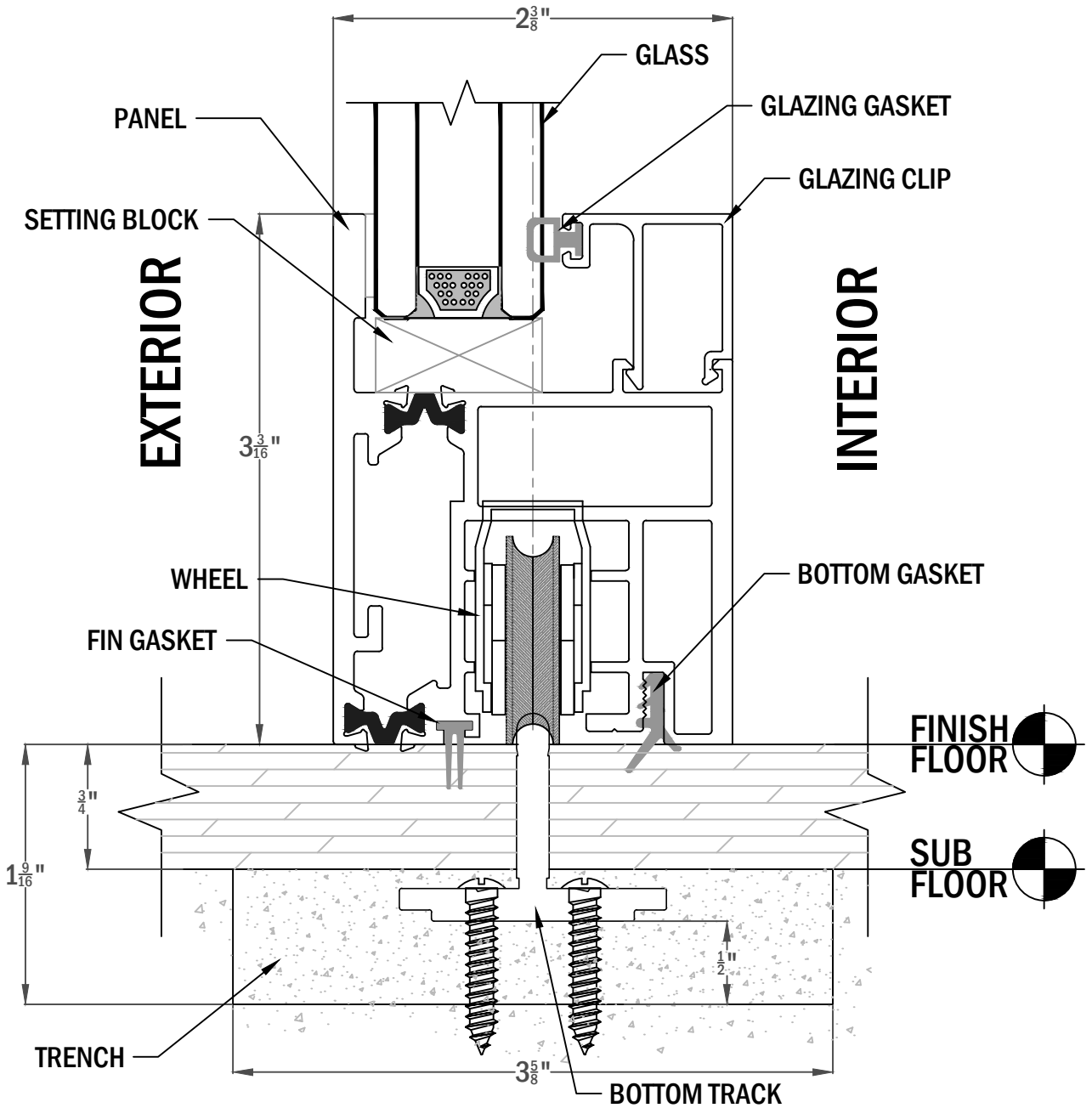
OPTION 3





RECOMMENDED TRENCH WIDTH:

- 1 TRACK : 3 5/8" WIDE
- 2 TRACK: 6 9/16" WIDE
- 3 TRACK: 9 1/2" WIDE
- 4 TRACK: 12 3/8" WIDE
- 5 TRACK: 15 5/16" WIDE





RECOMMENDED TRENCH WIDTH:

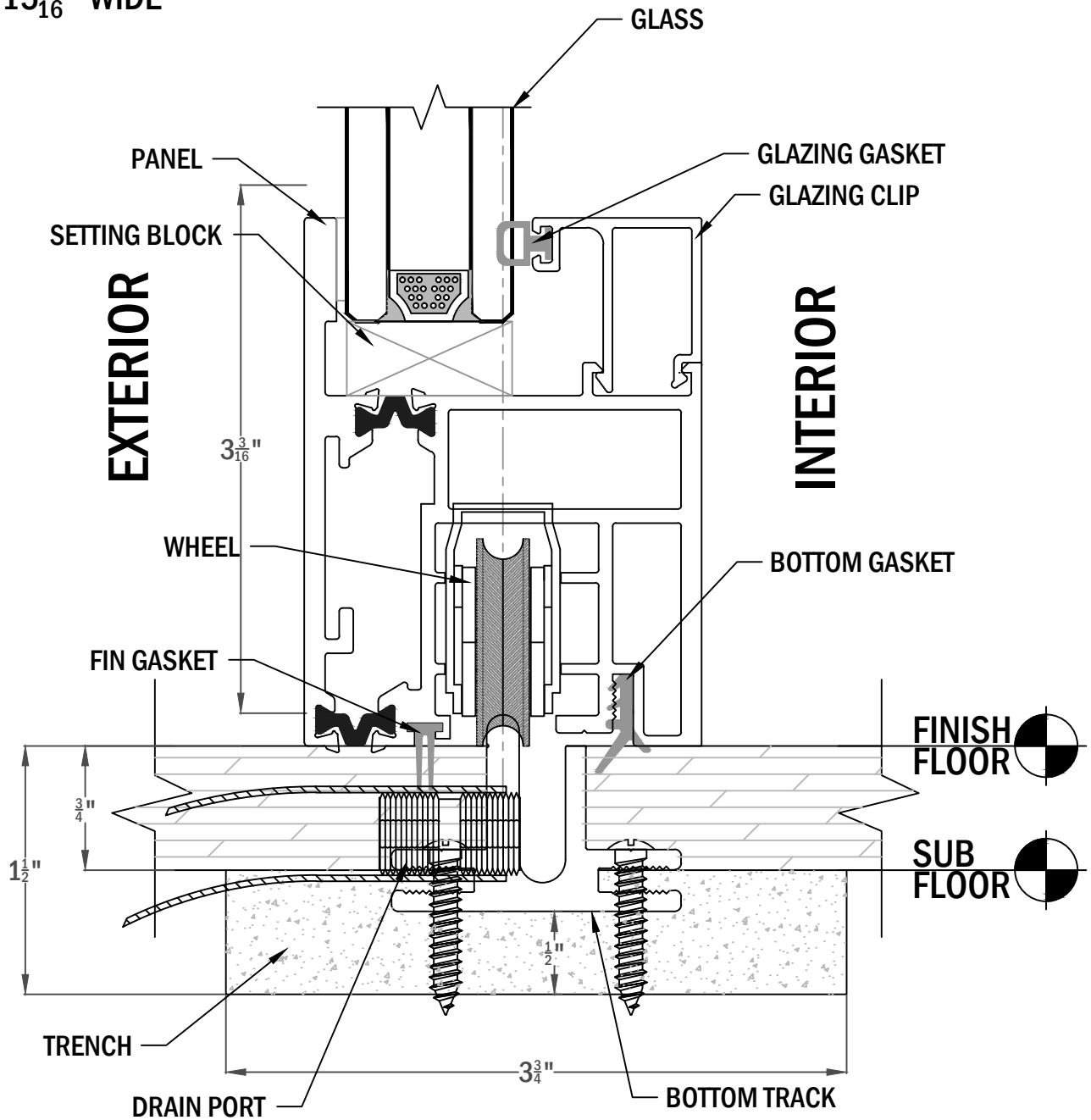
1 TRACK : 3 3/4" WIDE

2 TRACK : 6 11/16" WIDE

3 TRACK : 9 5/8" WIDE

4 TRACK : 12 9/16" WIDE

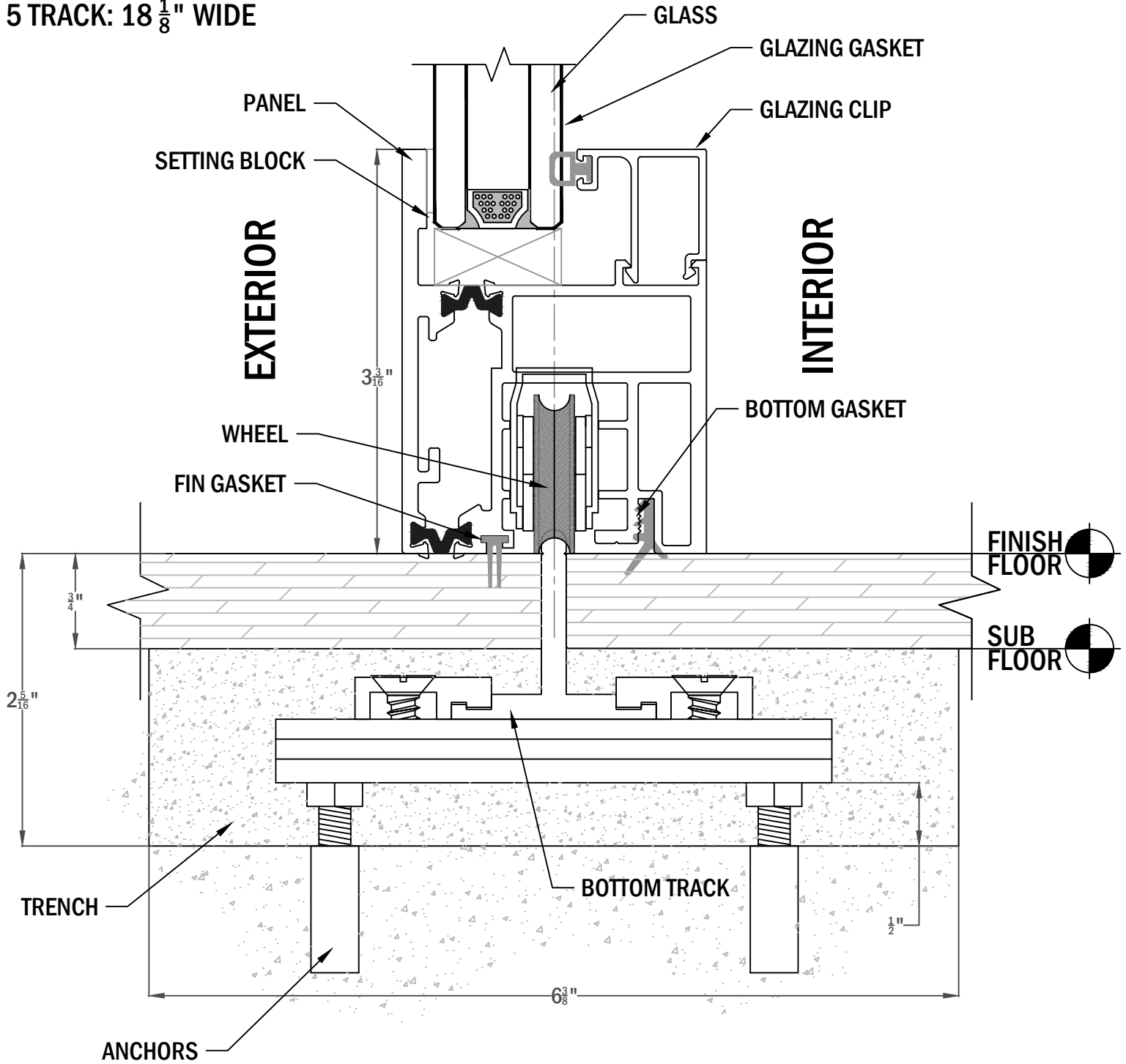
5 TRACK : 15 7/16" WIDE





RECOMMENDED TRENCH WIDTH:

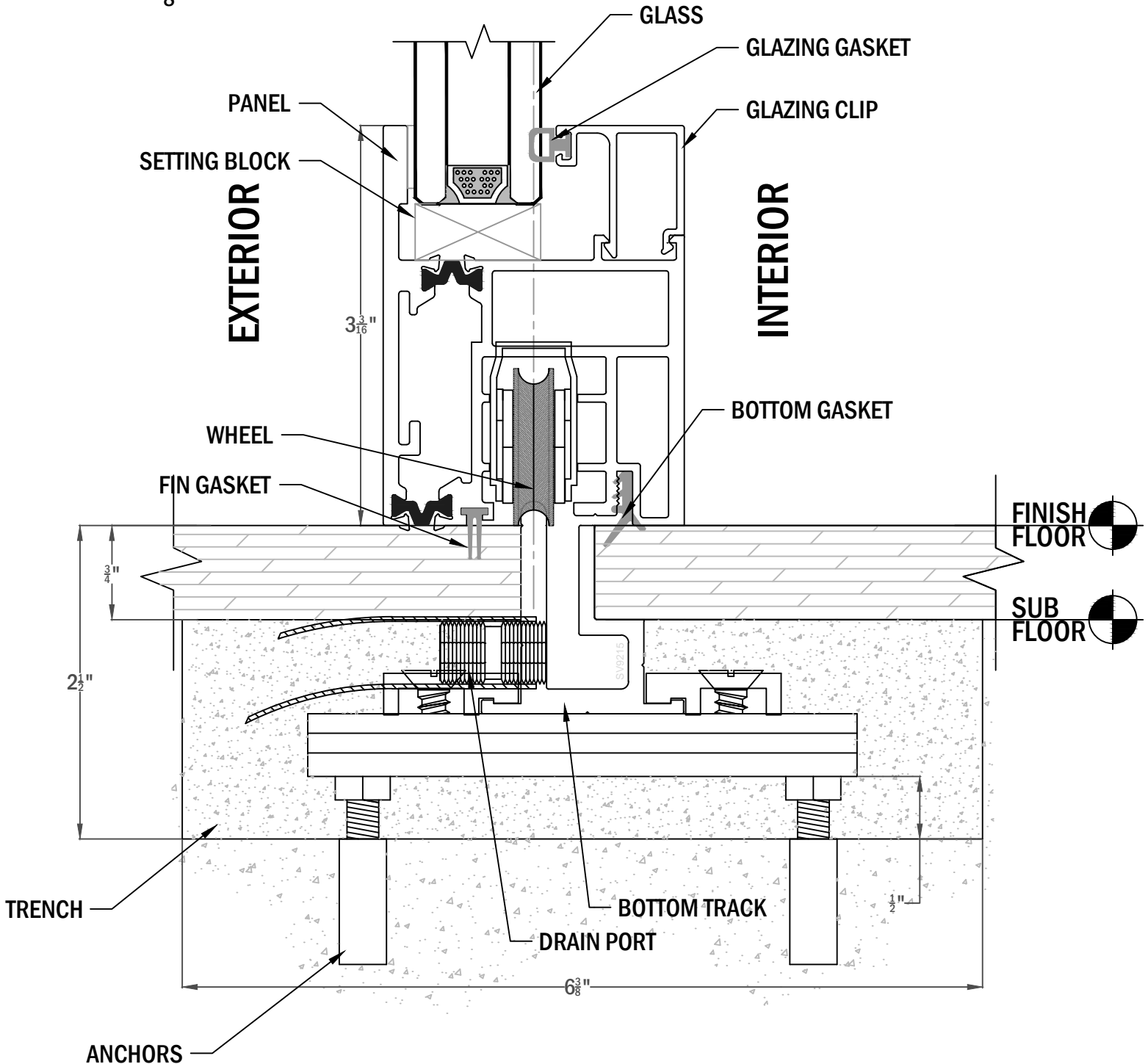
- 1 TRACK : 6 3/8" WIDE
- 2 TRACK: 9 5/16" WIDE
- 3 TRACK: 12 1/4" WIDE
- 4 TRACK: 15 3/16" WIDE
- 5 TRACK: 18 1/8" WIDE





RECOMMENDED TRENCH WIDTH:

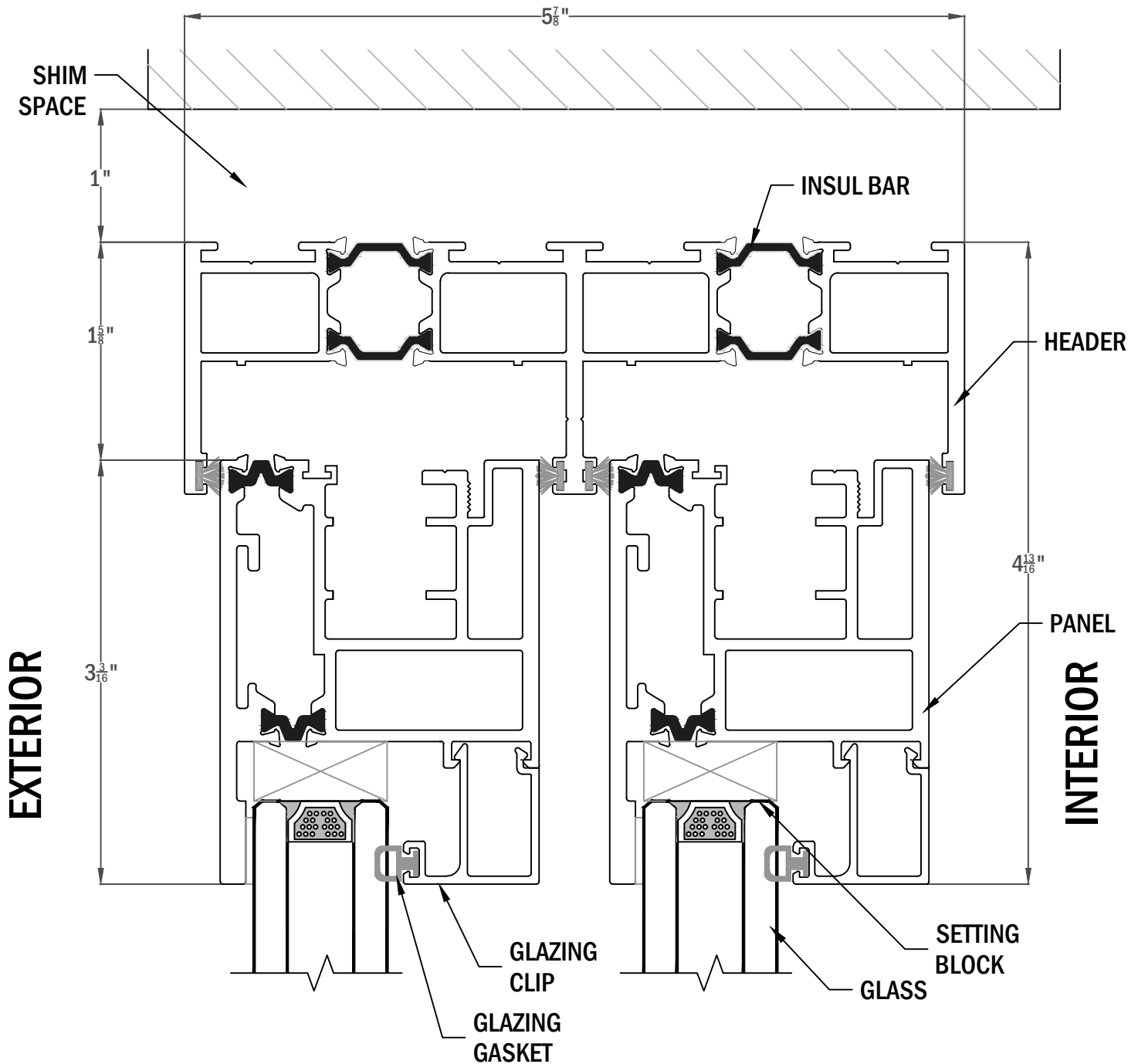
- 1 TRACK : 6 3/8" WIDE
- 2 TRACK: 9 5/16" WIDE
- 3 TRACK: 12 1/4" WIDE
- 4 TRACK: 15 3/16" WIDE
- 5 TRACK: 18 1/8" WIDE





HEADER WIDTH:

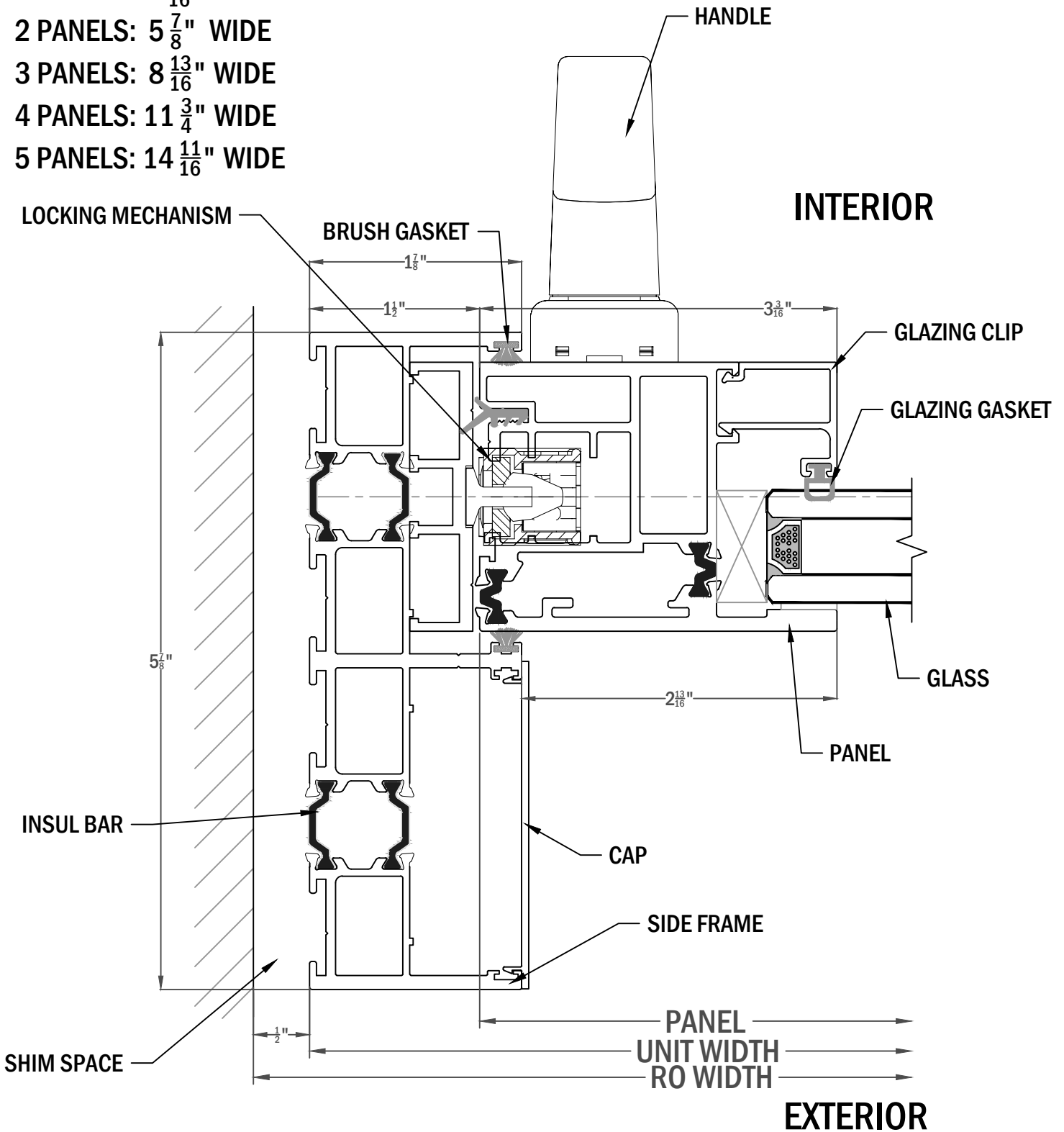
- 1 PANEL: $2 \frac{15}{16}$ " WIDE
- 2 PANELS: $5 \frac{7}{8}$ " WIDE
- 3 PANELS: $8 \frac{13}{16}$ " WIDE
- 4 PANELS: $11 \frac{3}{4}$ " WIDE
- 5 PANELS: $14 \frac{11}{16}$ " WIDE

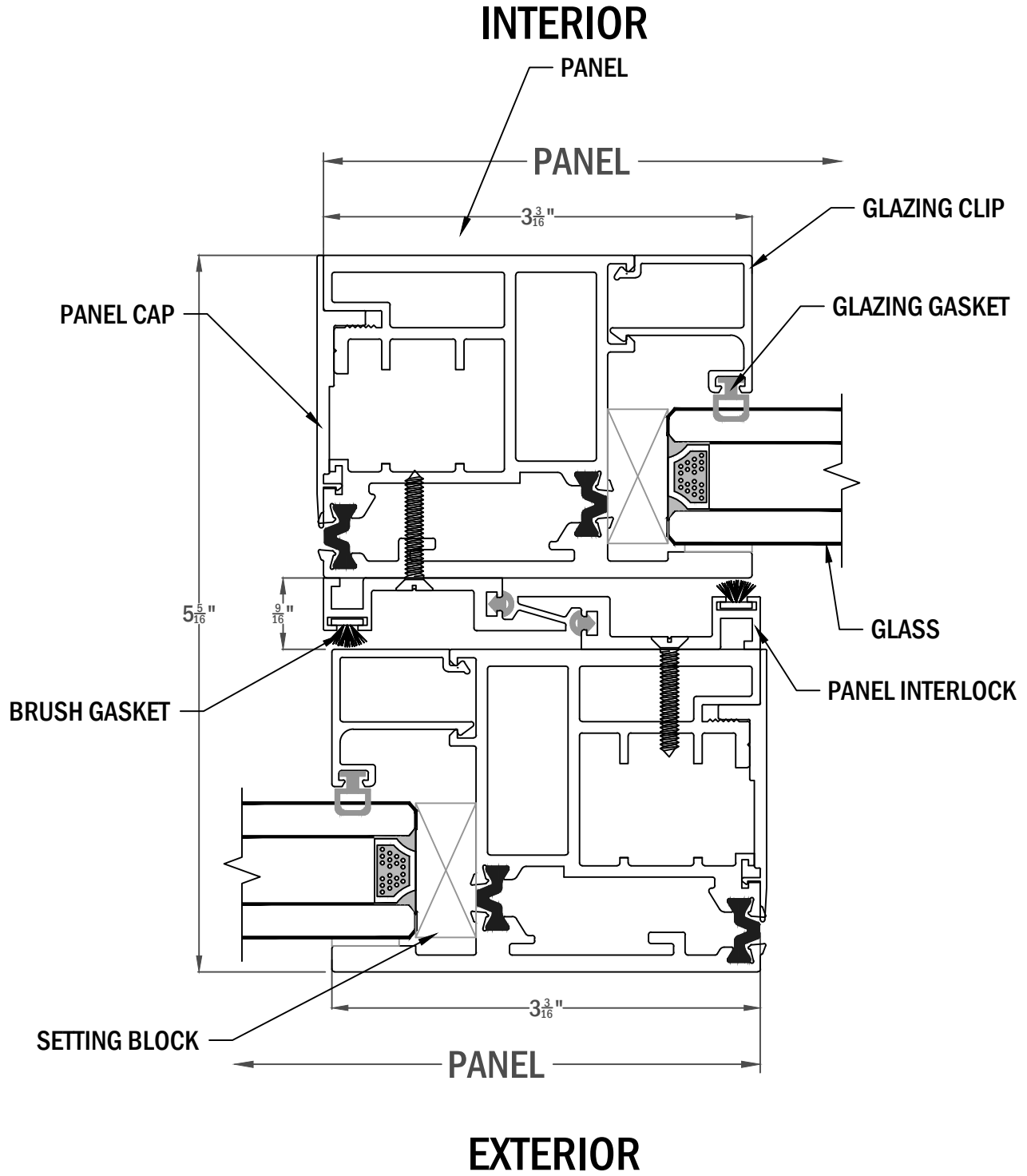


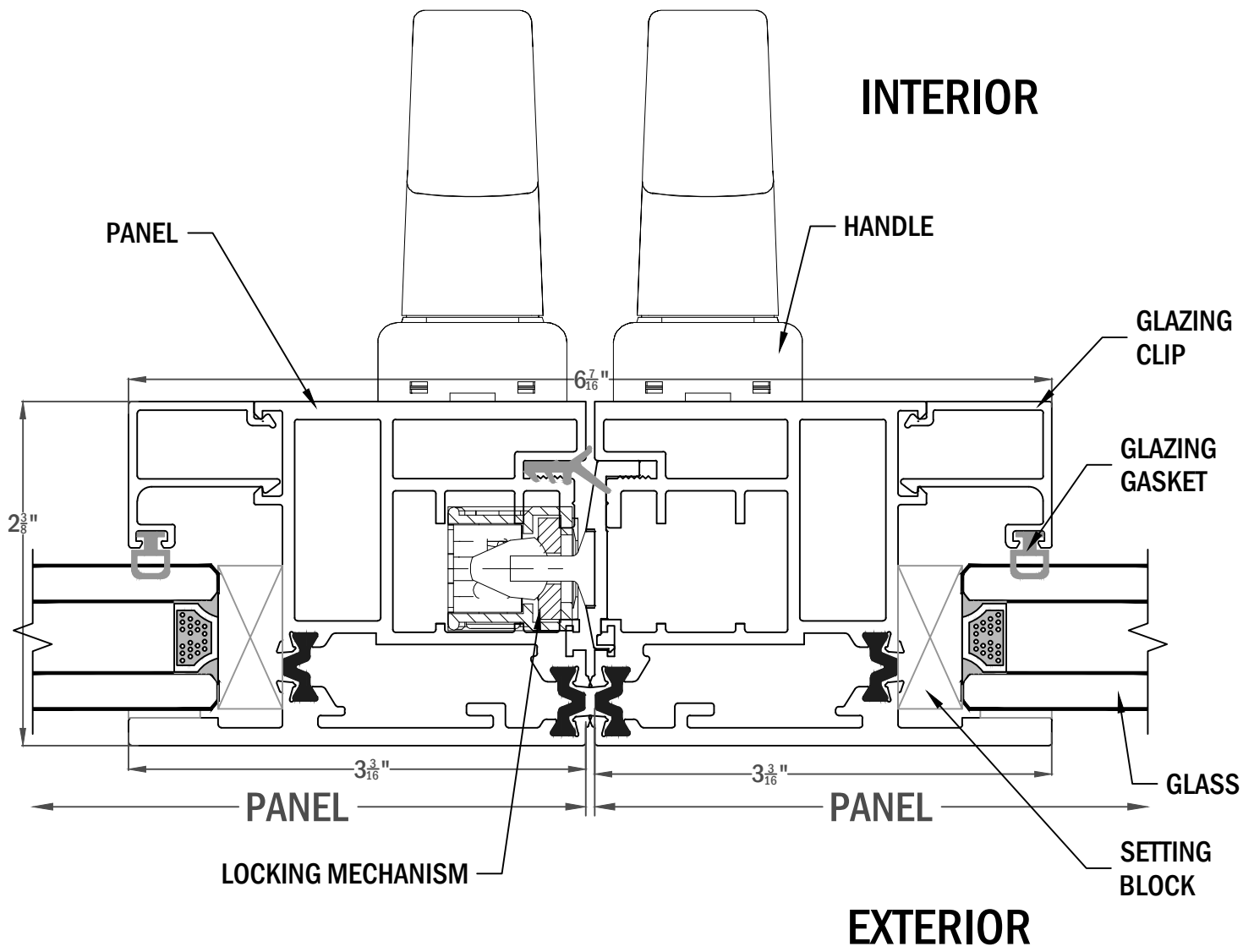


SIDE FRAME WIDTH:

- 1 PANEL: $2 \frac{15}{16}$ " WIDE
- 2 PANELS: $5 \frac{7}{8}$ " WIDE
- 3 PANELS: $8 \frac{13}{16}$ " WIDE
- 4 PANELS: $11 \frac{3}{4}$ " WIDE
- 5 PANELS: $14 \frac{11}{16}$ " WIDE









RECOMMENDED POCKET WIDTH:

- 1 PANEL: $3 \frac{7}{16}$ " WIDE
- 2 PANELS: $6 \frac{5}{8}$ " WIDE
- 3 PANELS: $9 \frac{9}{16}$ " WIDE
- 4 PANELS: $12 \frac{1}{2}$ " WIDE
- 5 PANELS: $15 \frac{7}{16}$ " WIDE

