



Profiles:

Profiles are manufactured from 6063-T5 extruded aluminum with a wall thickness of up to $\frac{1}{8}$ " capable to withstand oversized panels. The door systems are available with either powder coat, Kynar or anodized finishes in virtually any color the customer chooses.

Tracking:

Panda Select French Doors offers a $1\frac{7}{8}$ " surface bottom track for maximum protection of any water intrusions and a $\frac{3}{8}$ " surface bottom track. Bottom tracks are available clear anodized or dark bronze anodized.

Configurations:

Panda Select French Doors are available with a single door or with a double door.

Hardware:

There a variety of standard and custom hardware options to choose from with different finishes to meet your project specifications.

Weight:

Each panel weighs approximately 7 to 8 lbs per sq. ft. depending on the overall panel size and glass configuration.

FS31 AW FRENCH DOOR PROFILE:

WIDTH: $2\frac{3}{8}$ "

HEIGHT: $3\frac{3}{16}$ "

GLASS THICKNESS:

1" AND $1\frac{3}{8}$ "

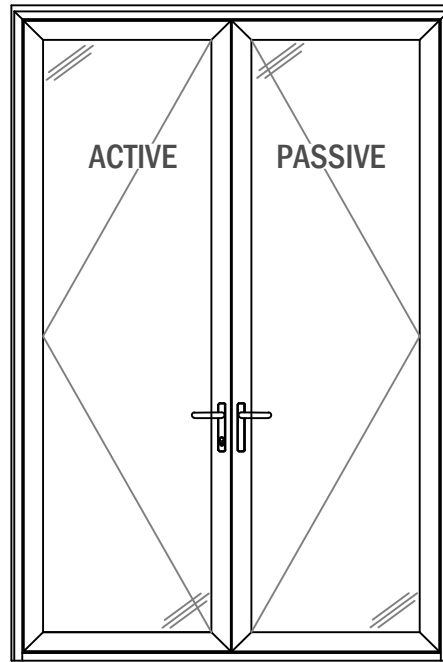
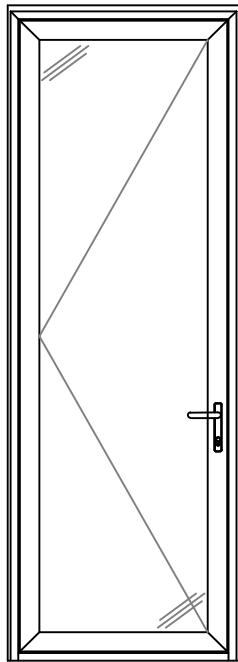
FS31 AW MAX PANEL SIZE:

WIDTH: 4'-0"

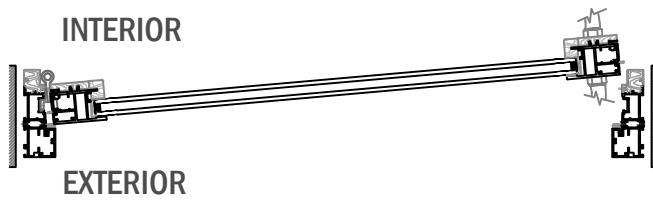
HEIGHT: 14'-0"



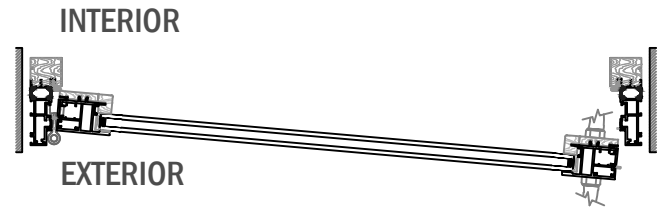
PANEL CONFIGURATION



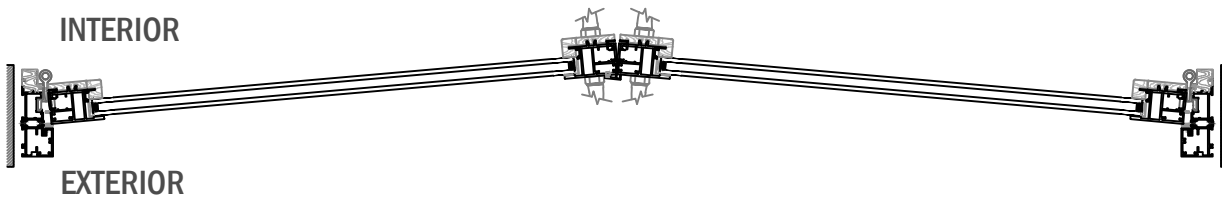
INSWING SINGLE DOOR



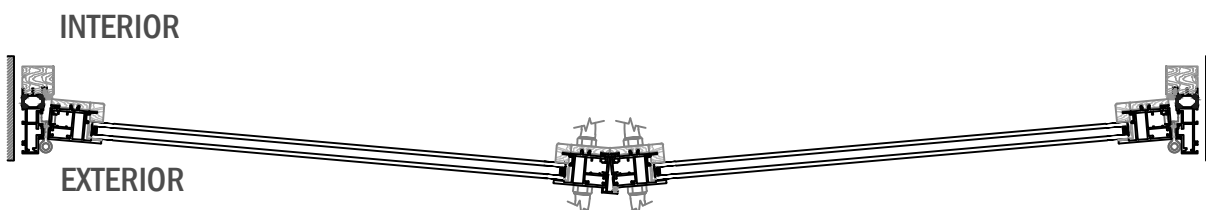
OUTSWING SINGLE DOOR



INSWING FRENCH DOOR

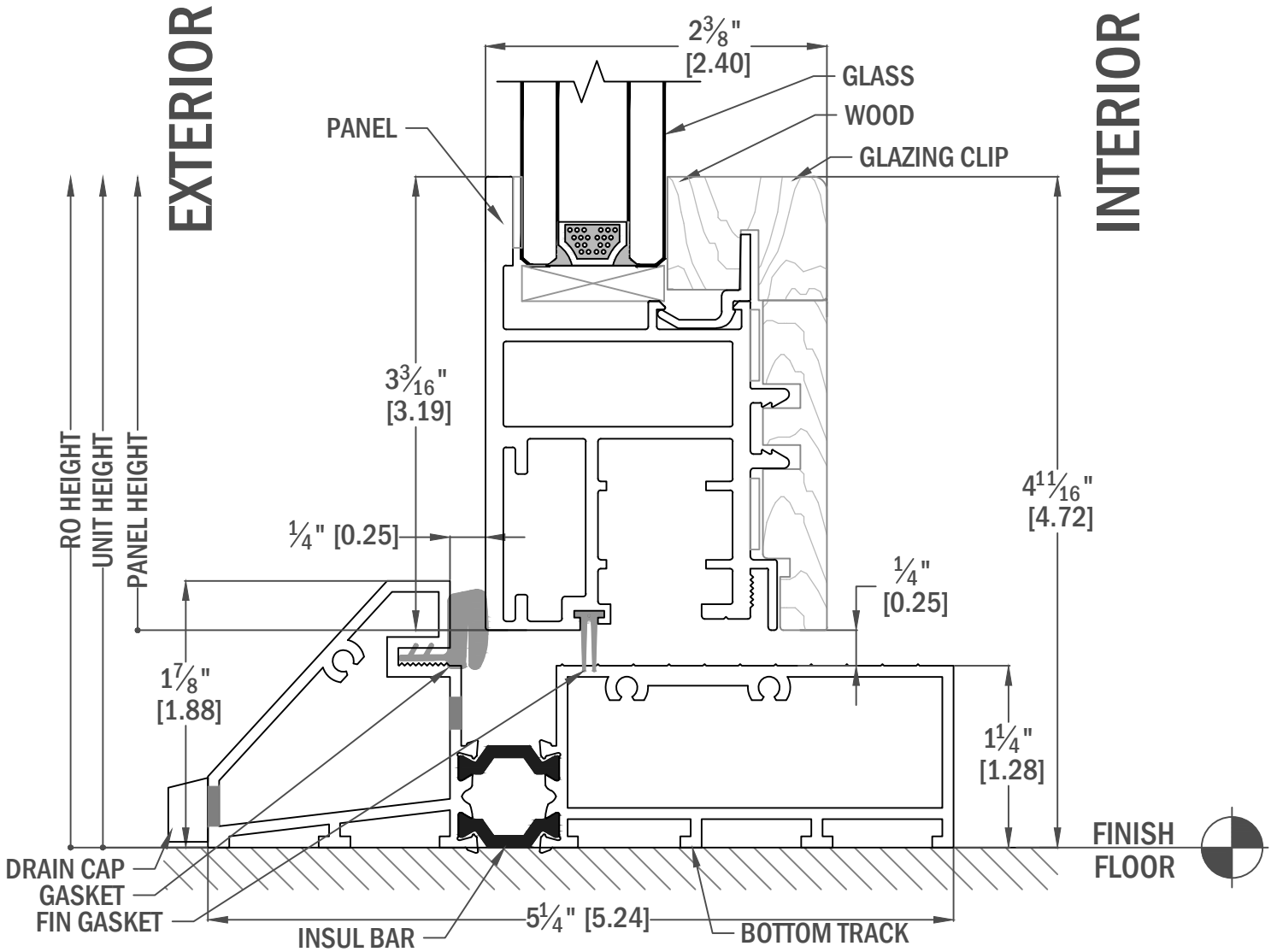


OUTSWING FRENCH DOOR



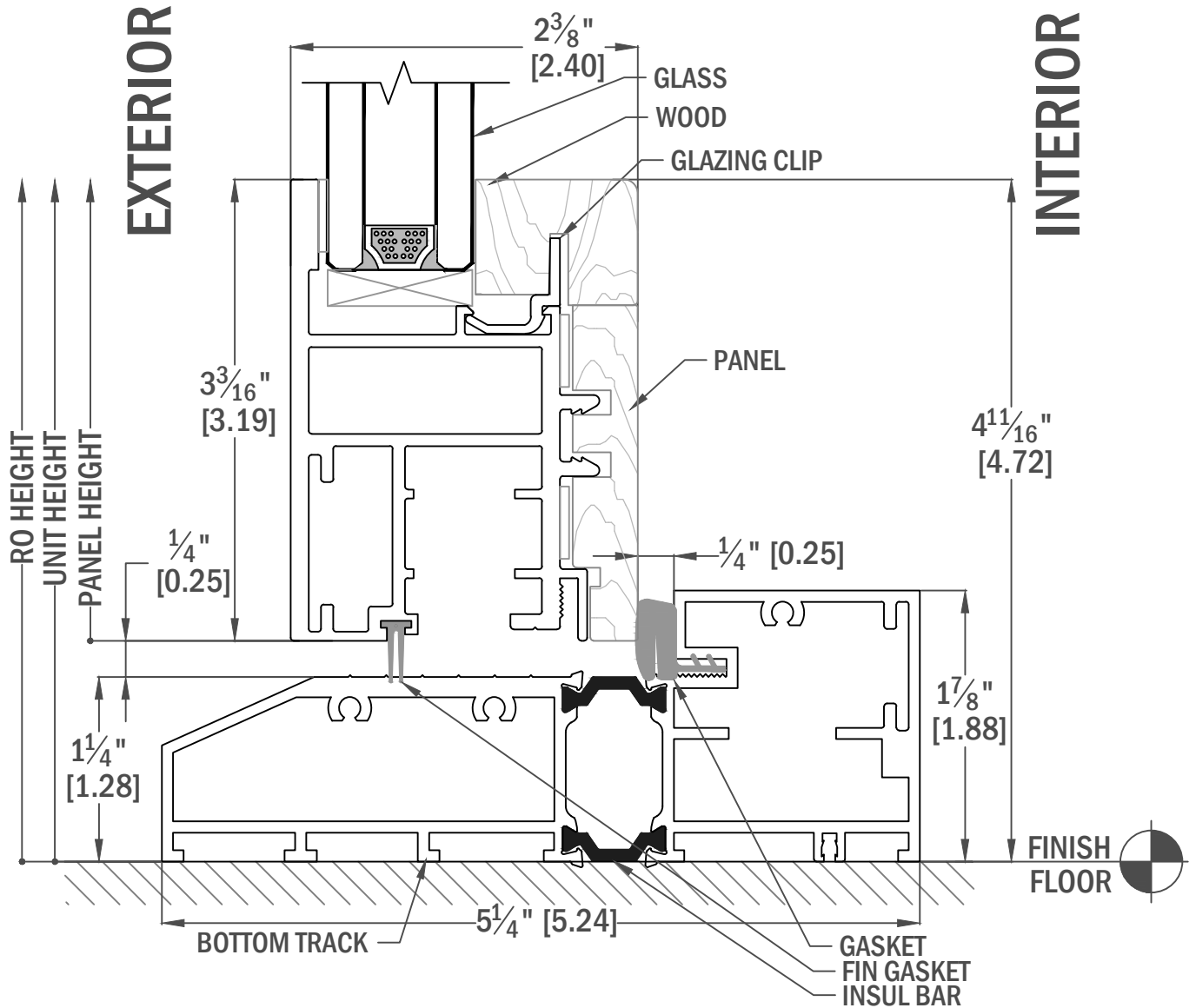


OPTION 1 INSWING



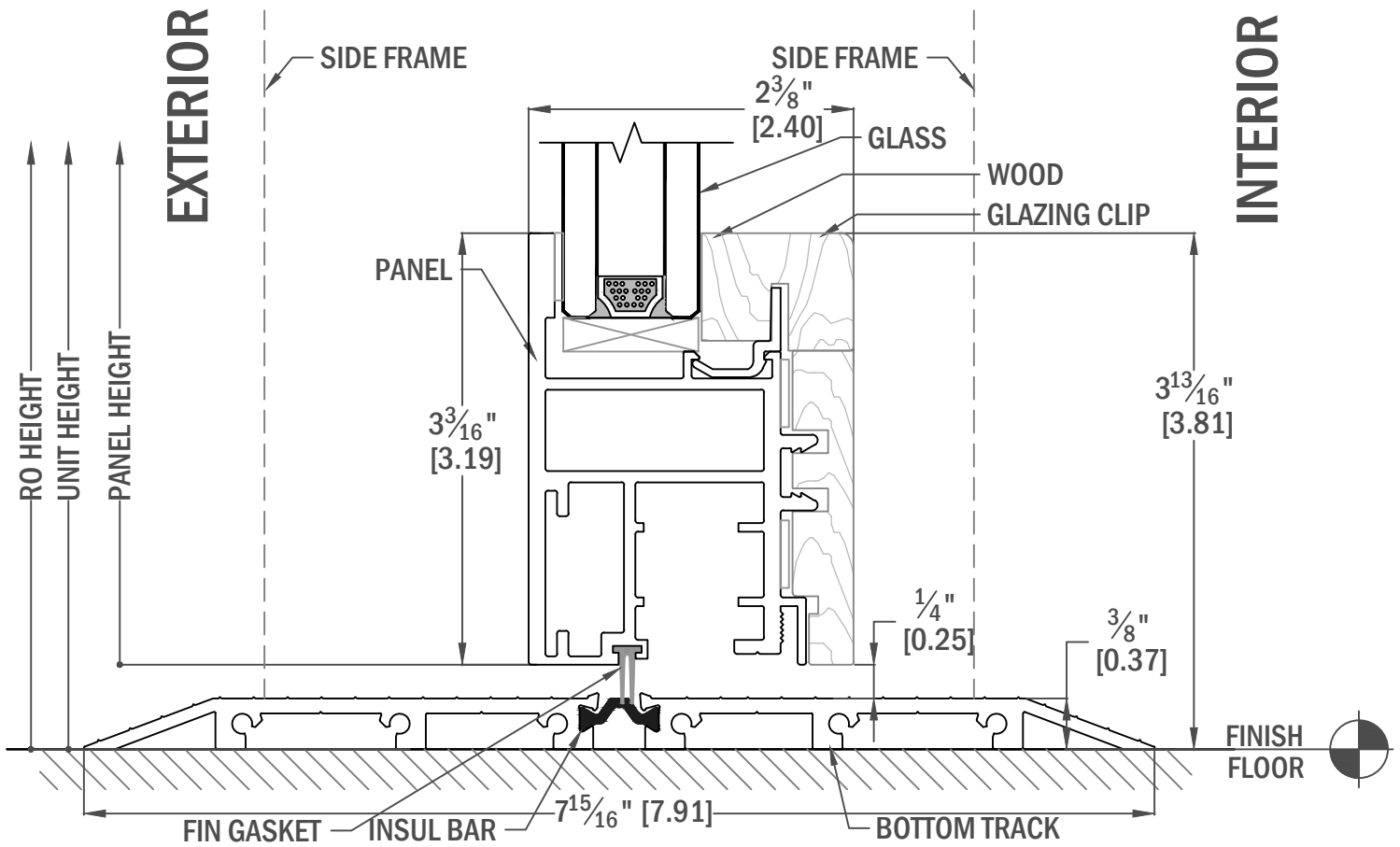


OPTION 1 OUTSWING



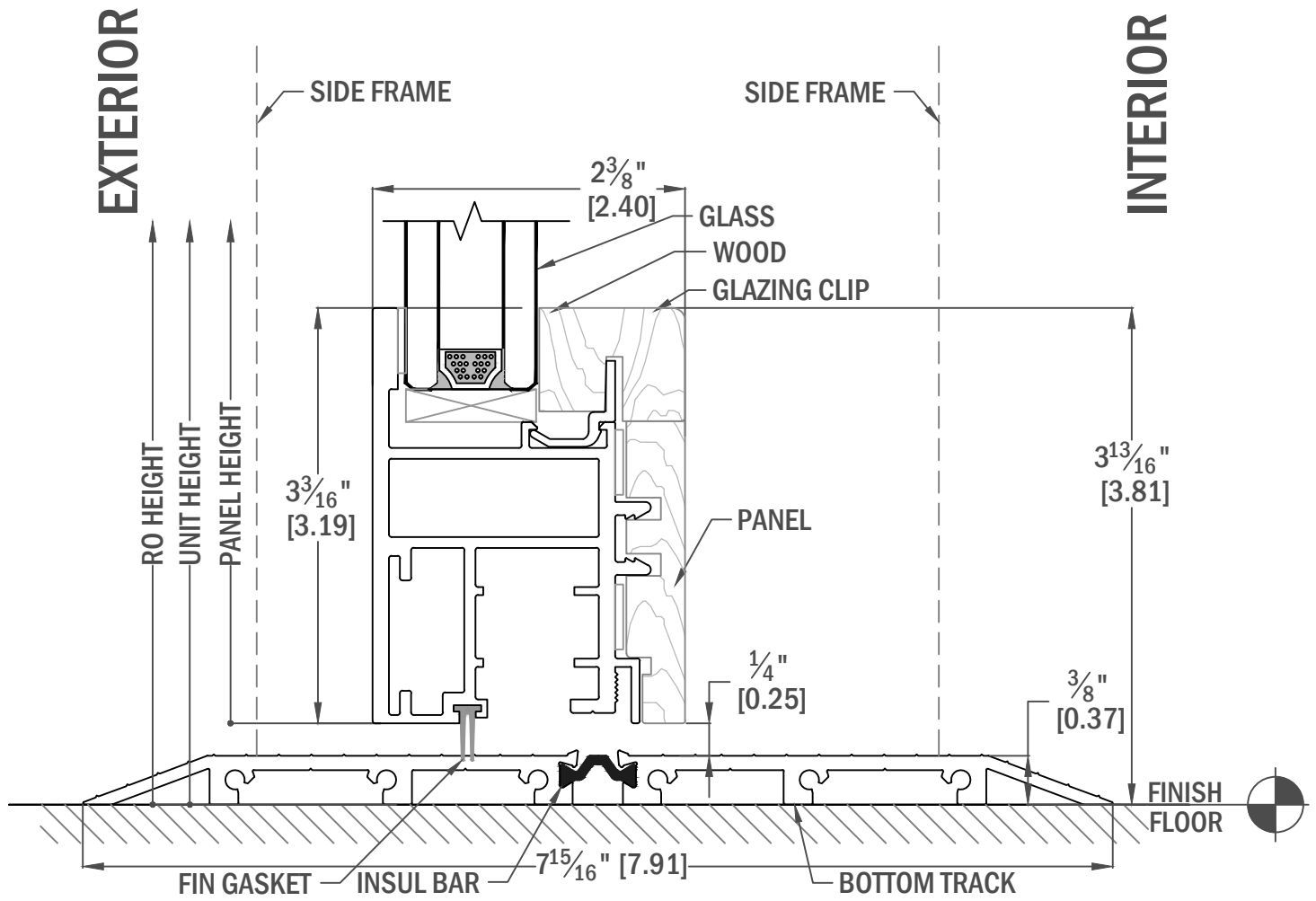


OPTION 1 INSWING



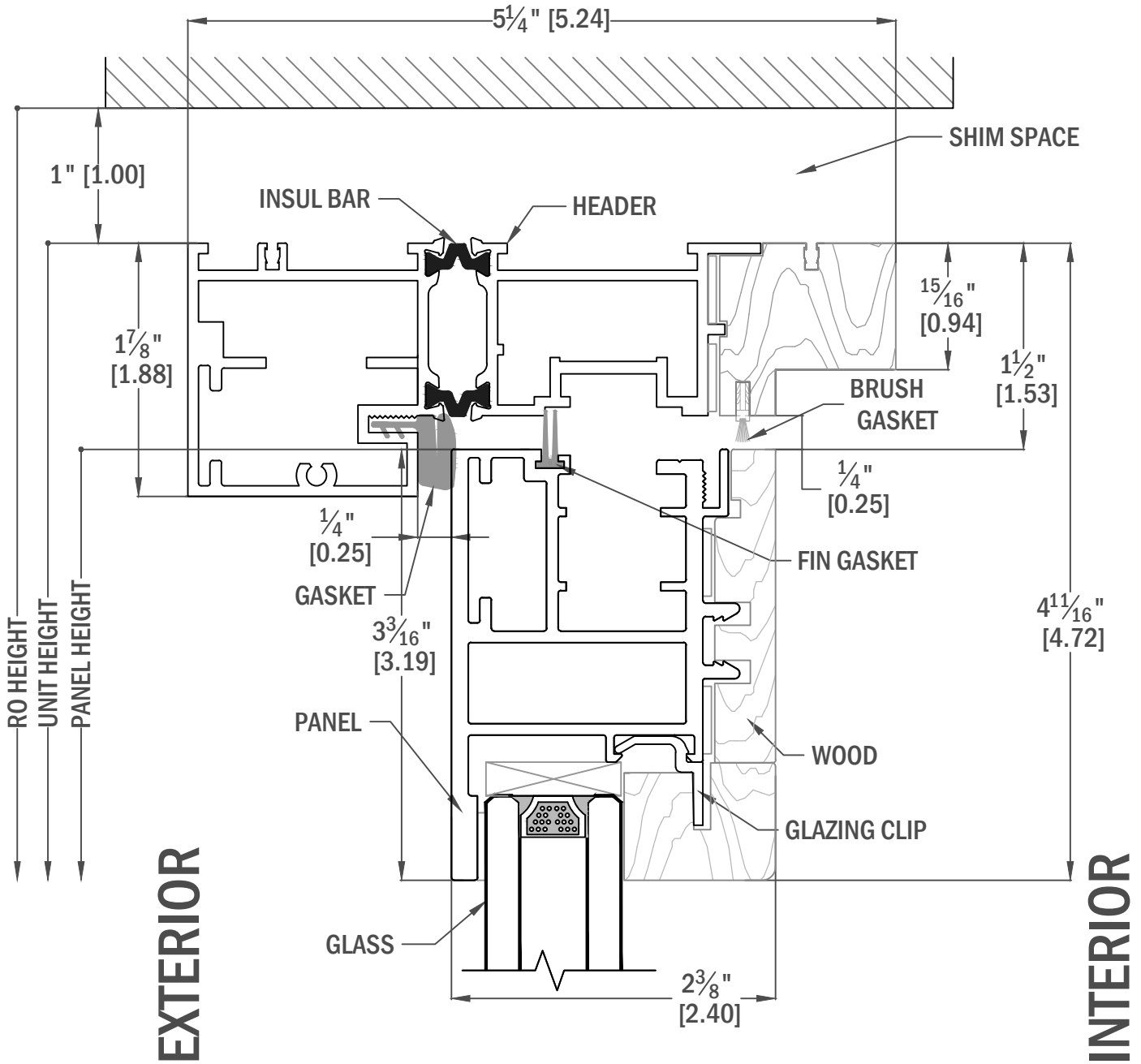


OPTION 1 OUTSWING



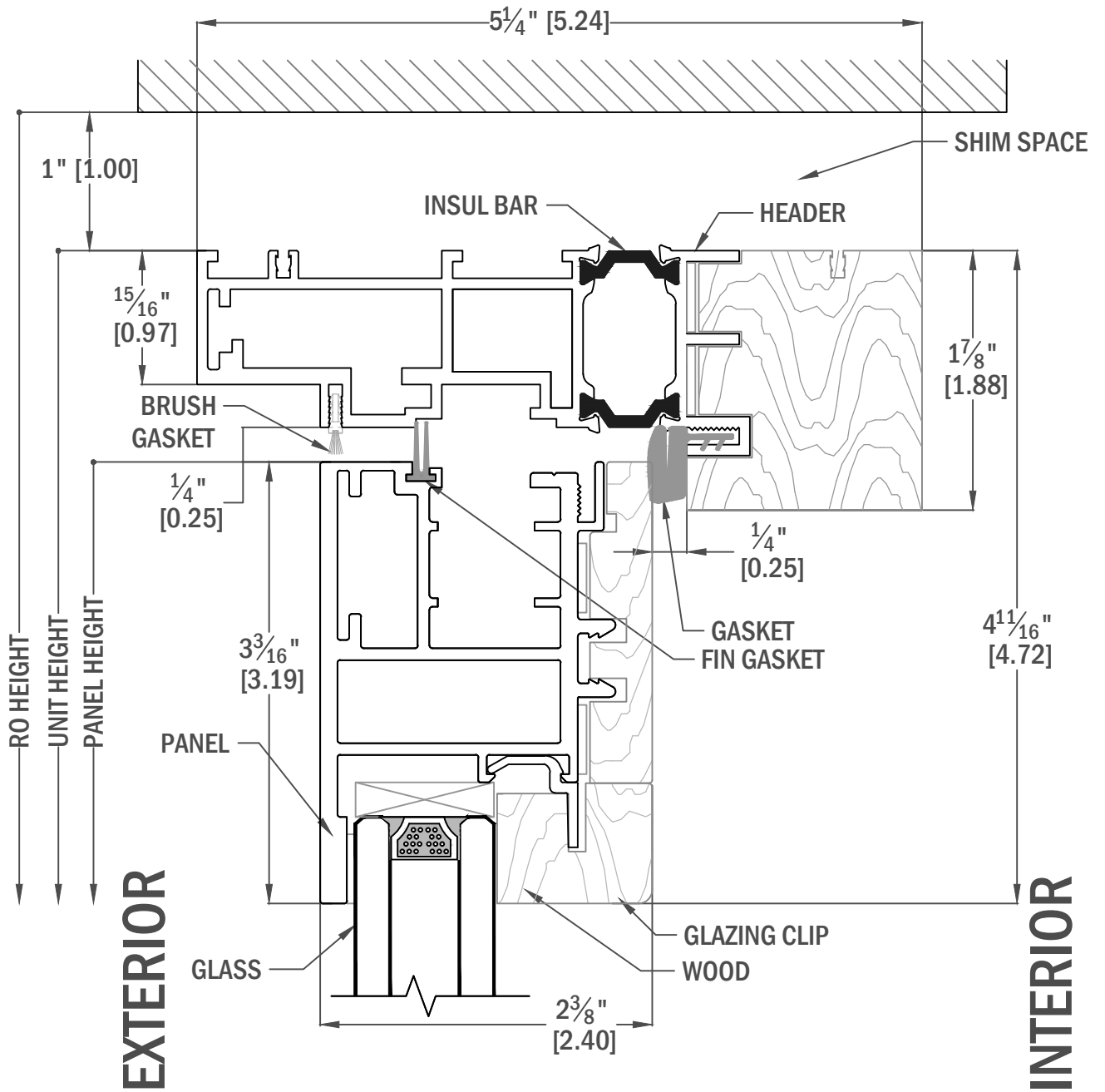


HEADER INSWING



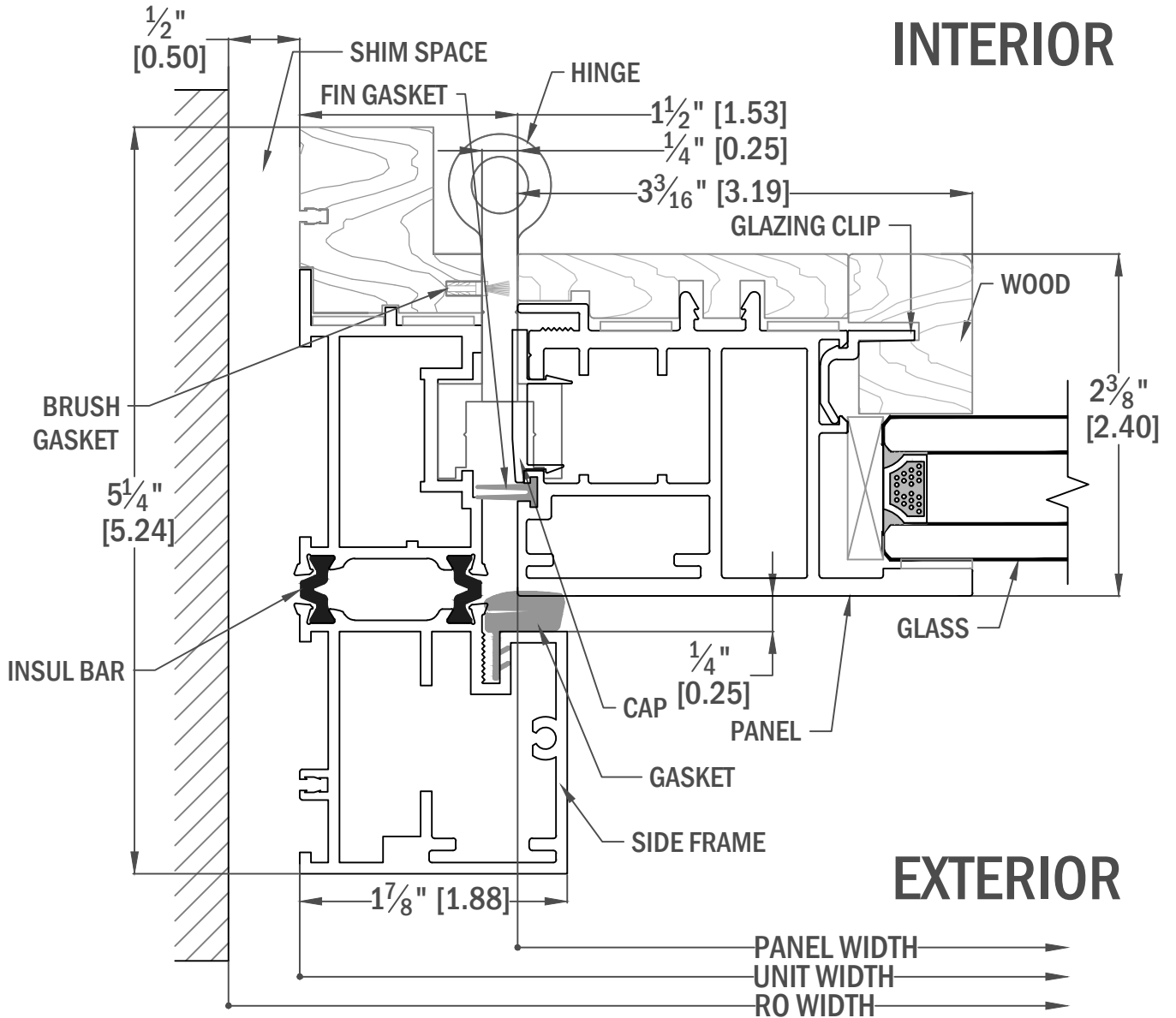


HEADER OUTSWING



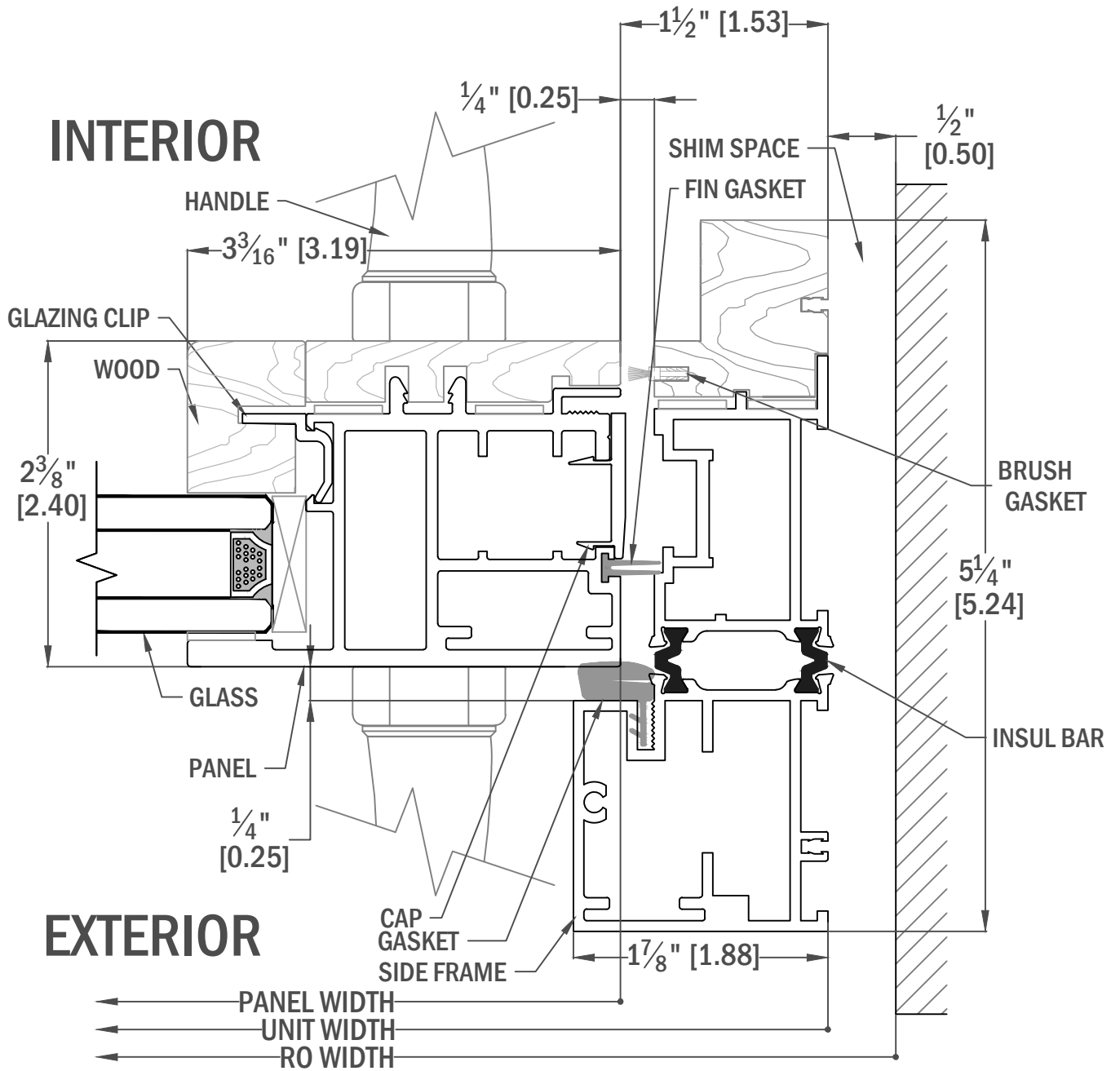


HINGE SIDE FRAME INSWING



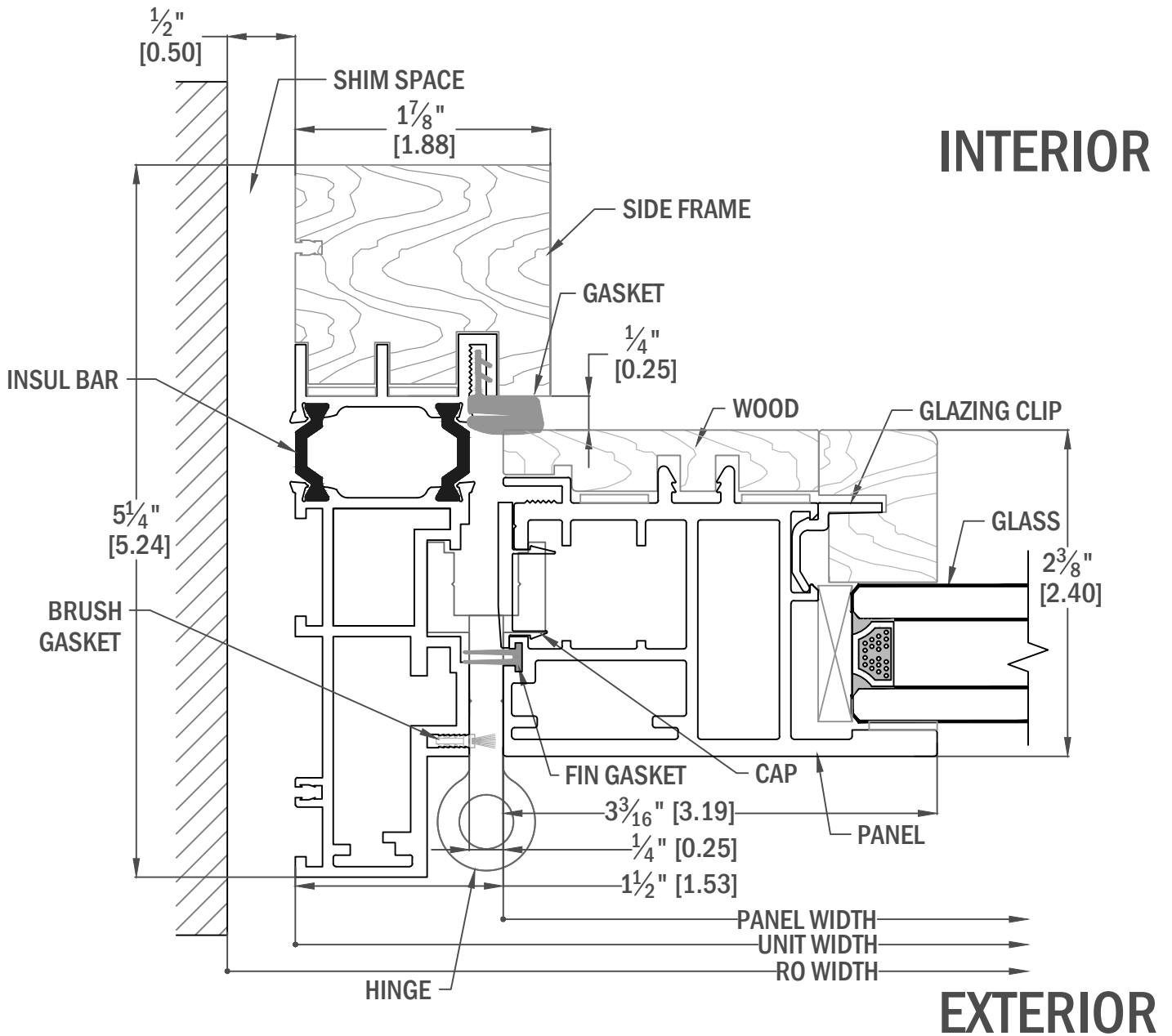


SWING SIDE FRAME INSWING





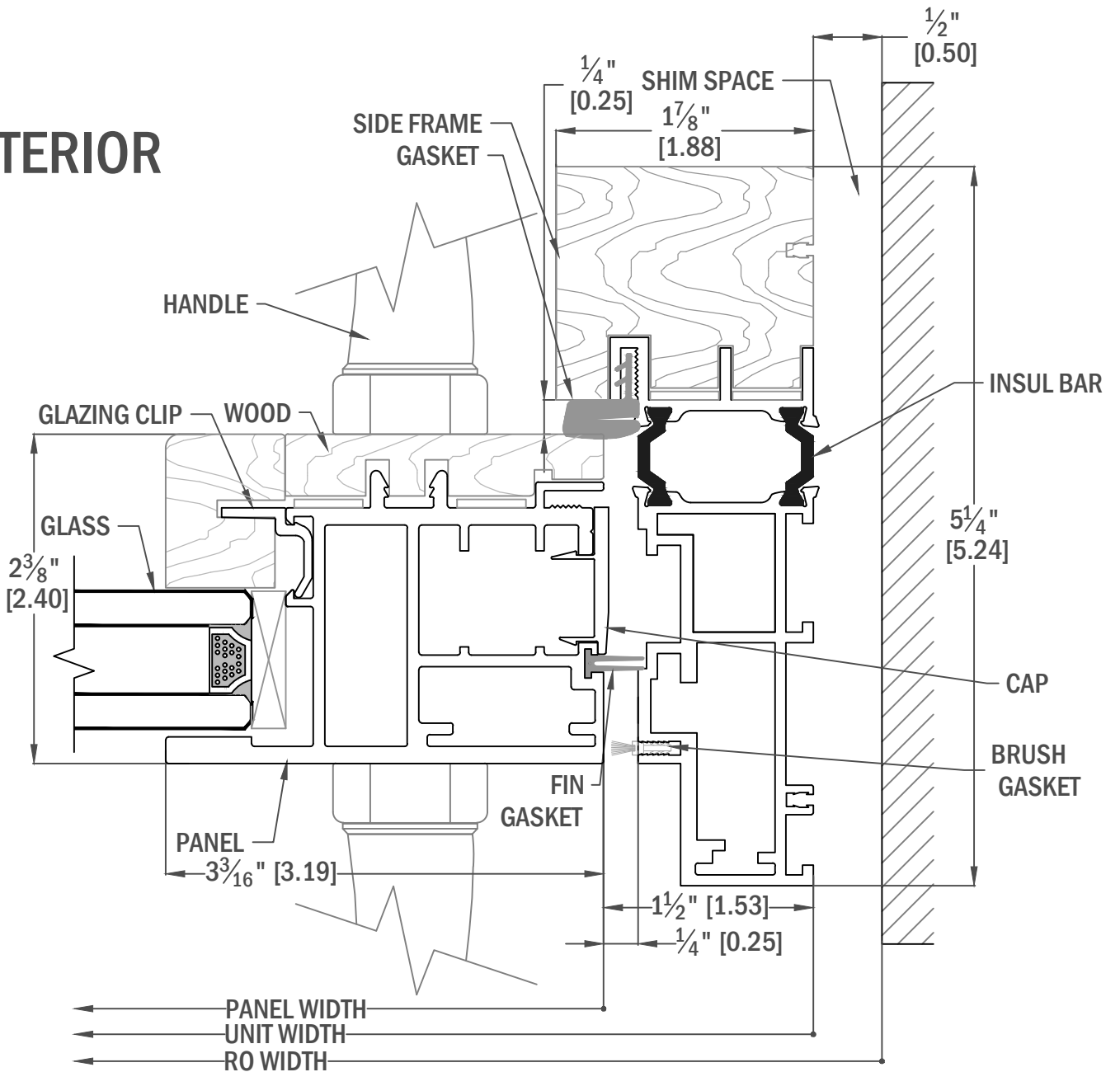
HINGE SIDE FRAME OUTSWING





SWING SIDE FRAME OUTSWING

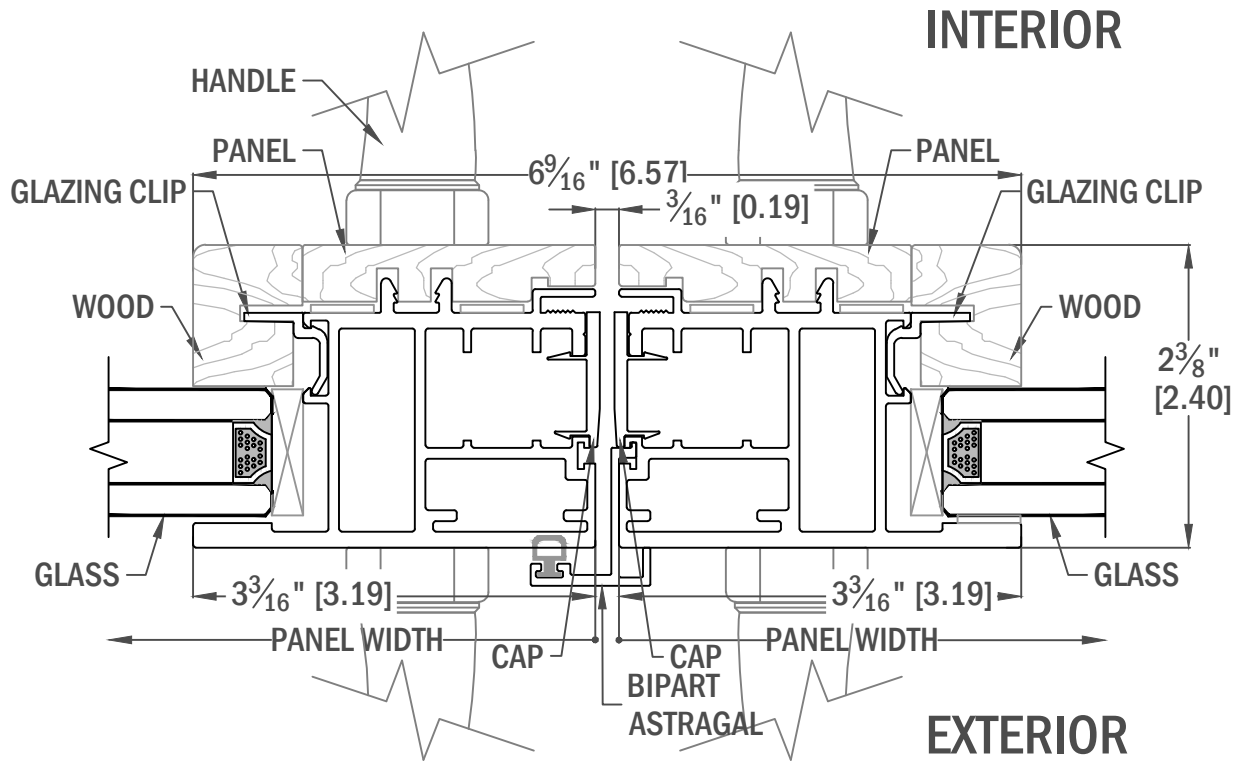
INTERIOR



EXTERIOR



PANEL BIPART INSWING



PANEL BIPART OUTSWING

