



Profiles:

Profiles are manufactured from 6063-T5 extruded aluminum with a wall thickness of up to 1/8" allowing for oversized panels. The door systems are available with either powder coat, Kynar or anodized finishes in virtually any color the customer chooses.

Tracking:

There are five types of tracks available to accommodate any flooring conditions, allowing for an almost seamless look with only 3/16" protrusion above the finished floor. All weight is carried on the bottom track, the top track serves as a guide.

Configurations:

These systems can accommodate up to 5 panel per unit.

Hardware:

The wheel carriages are comprised of stainless steel wheels and have a corrosion resistant treatment applied for high performance in coastal regions. Each wheel carriage can support up to 550 lbs . The operating mechanism includes a multi-point lock with a flush handle. The entire door system has specially designed EPDM gaskets to create a totally closed, weather tight system.

Weight:

Each panel weighs approximately 7 to 8 lbs per sq ft depending on overall panel size and glass configuration.

TS31 AW PROFILE:

WIDTH: 2 $\frac{3}{8}$ "

HEIGHT: 3 $\frac{3}{16}$ "

GLASS THICKNESS:

1" AND 1 $\frac{3}{8}$ "

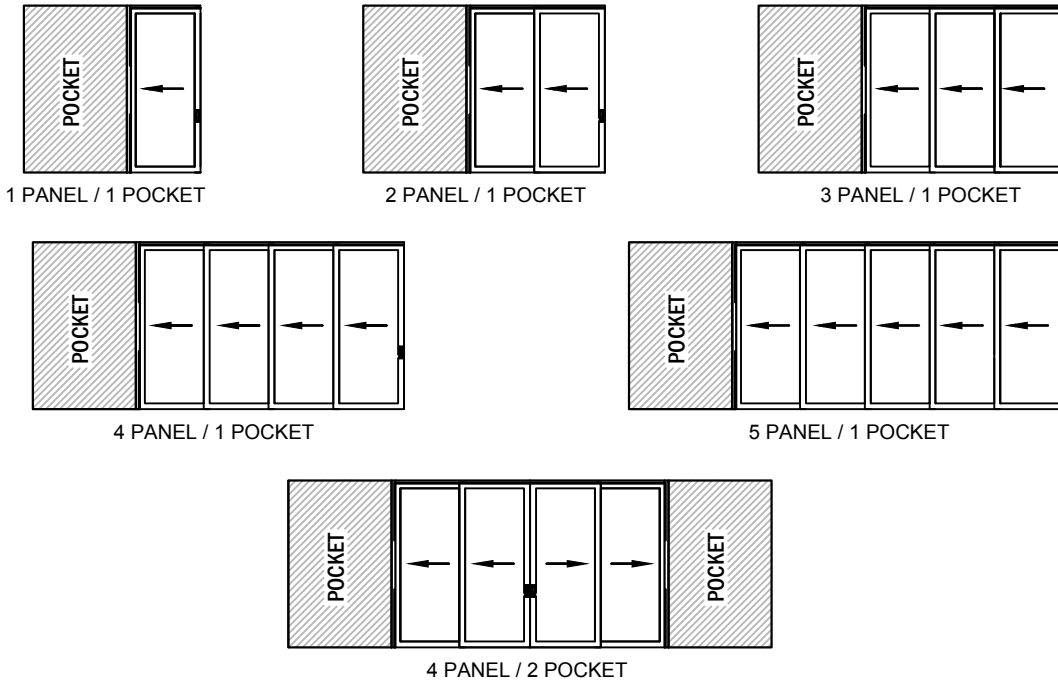
TS31 AW MAX PANEL SIZE:

WIDTH: 5'-0"

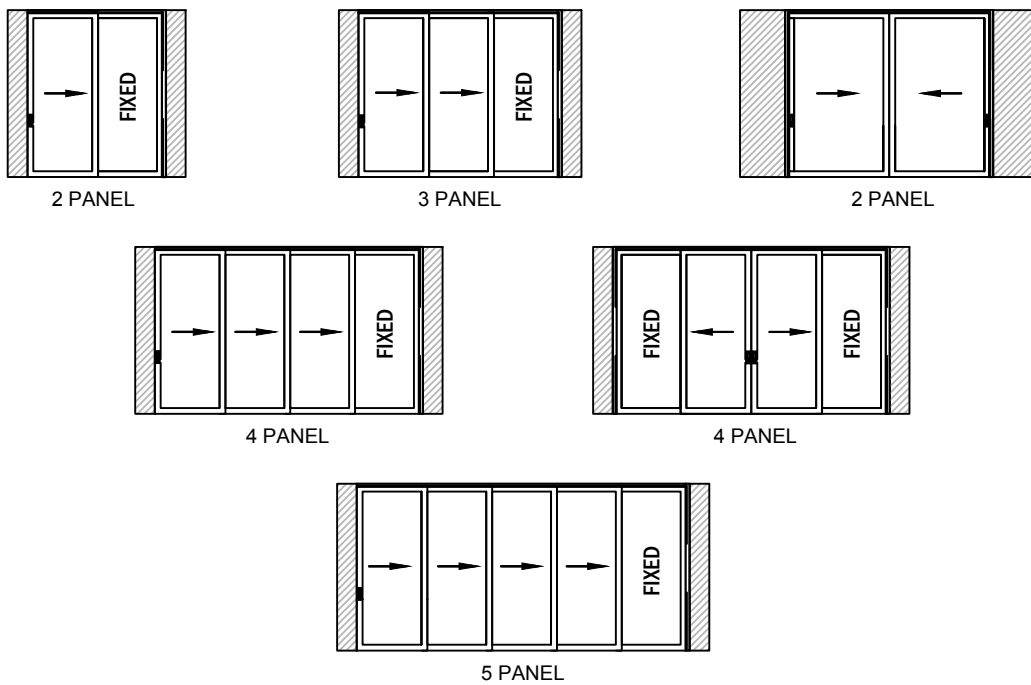
HEIGHT: 10'-0"



PANEL CONFIGURATION WITH POCKETS

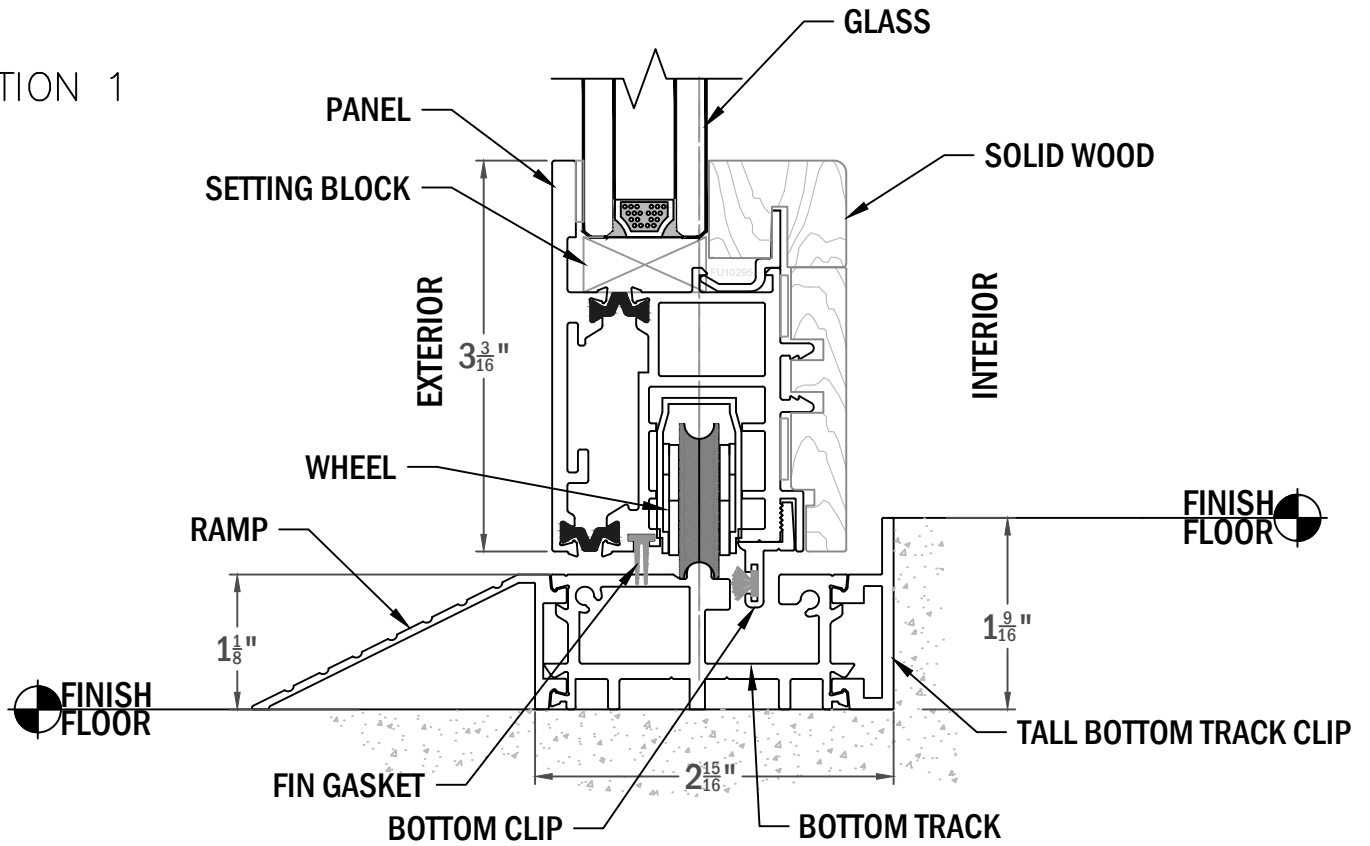


PANEL CONFIGURATION WITH FIXED PANEL

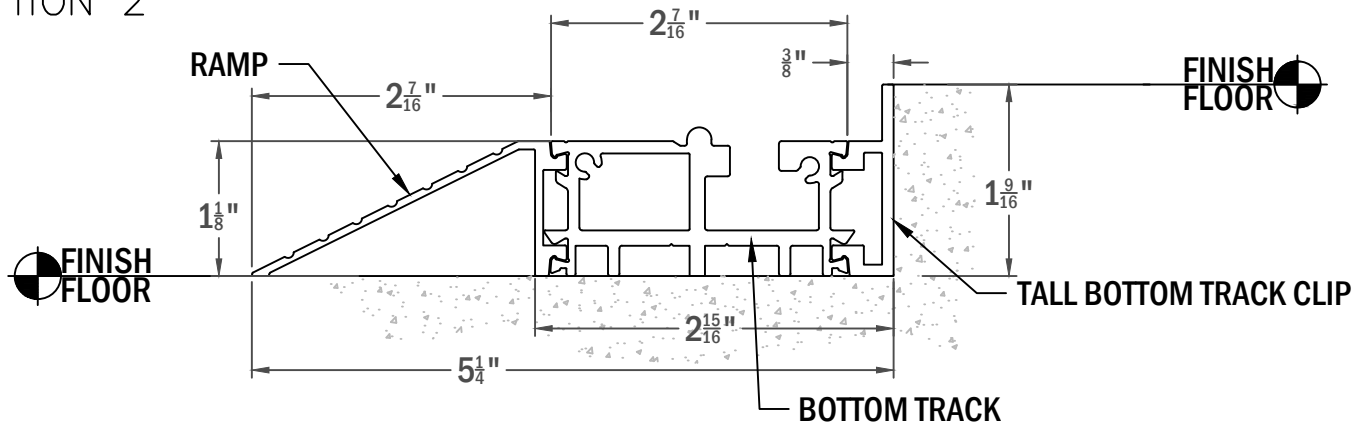




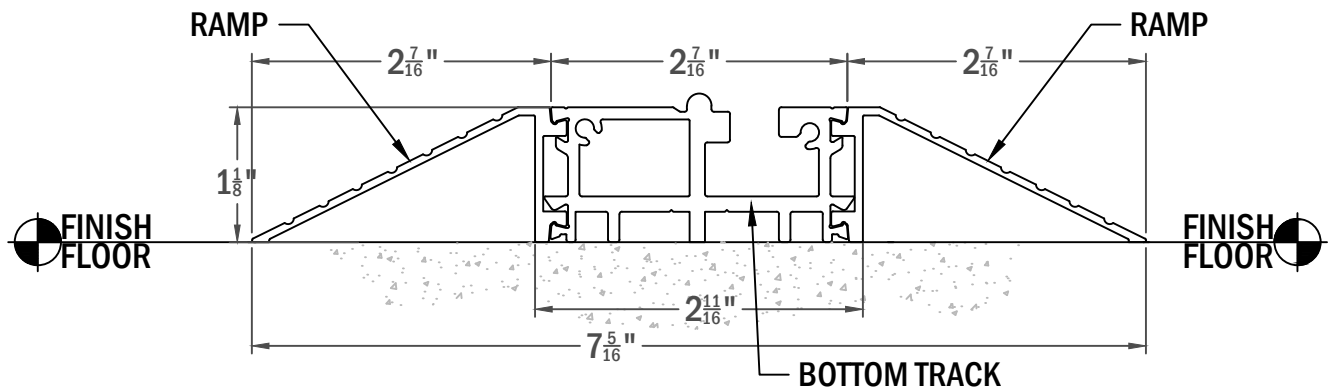
OPTION 1



OPTION 2

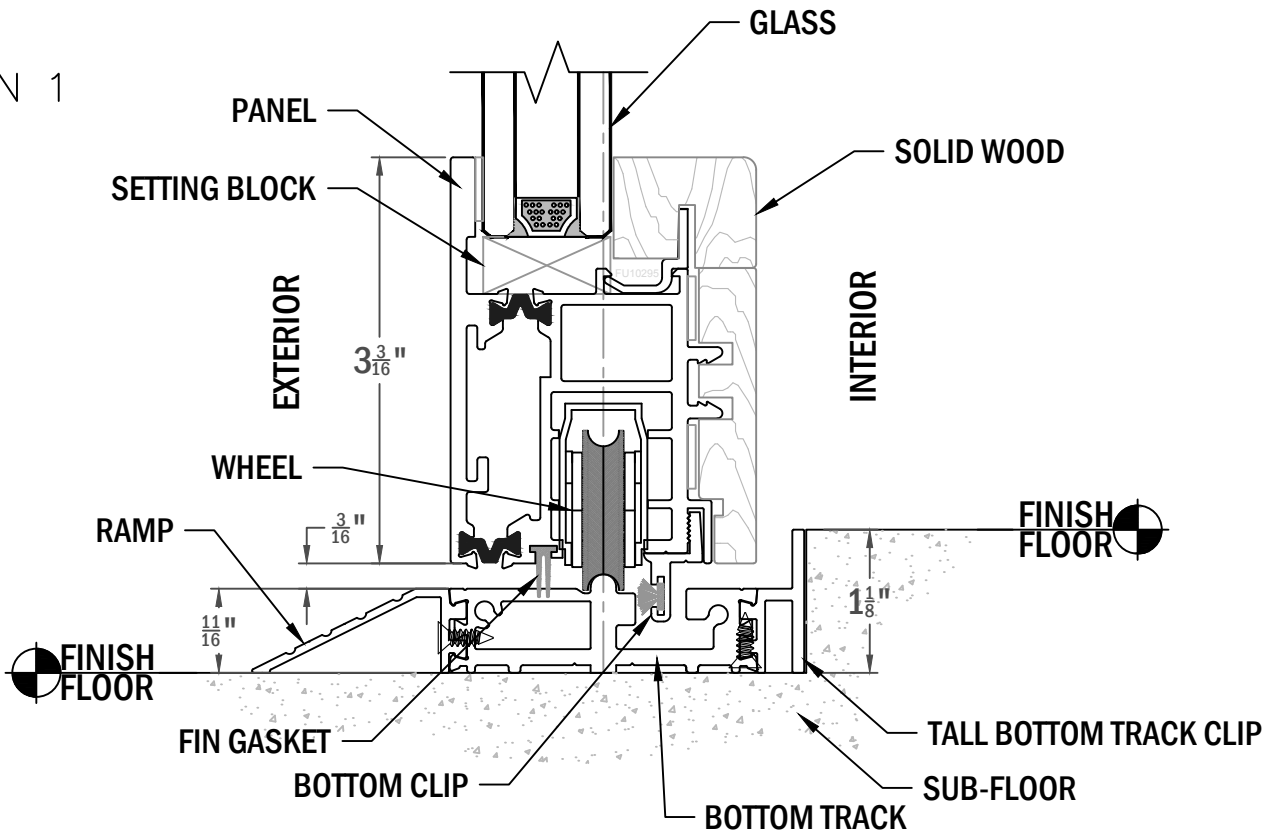


OPTION 3

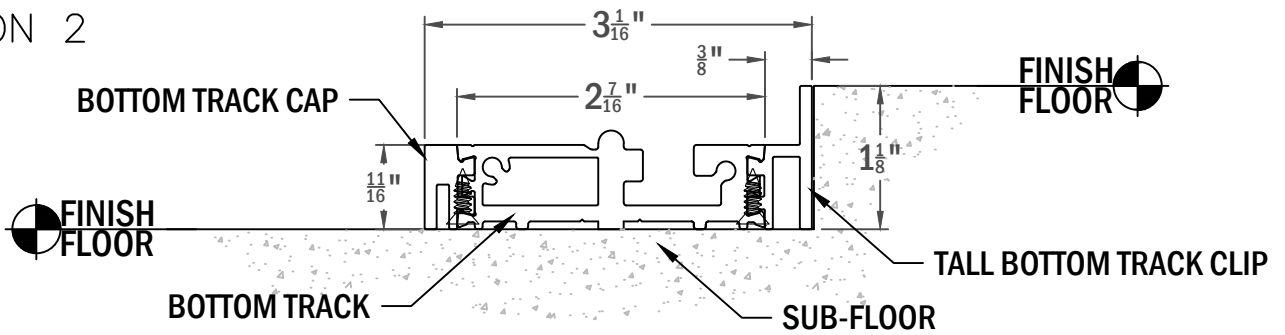




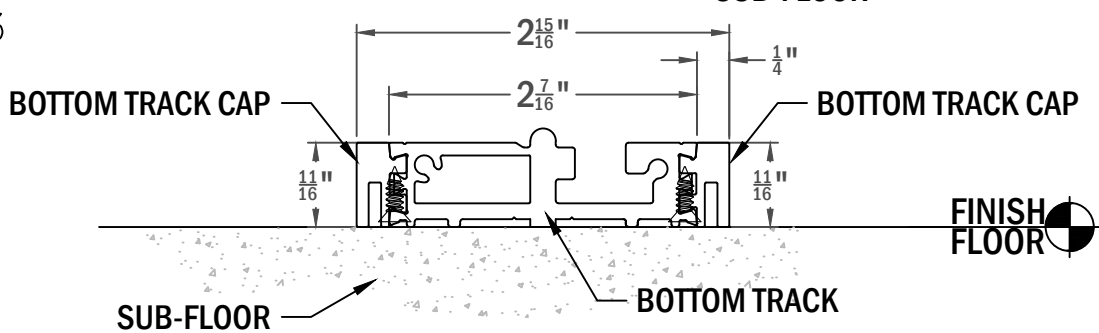
OPTION 1



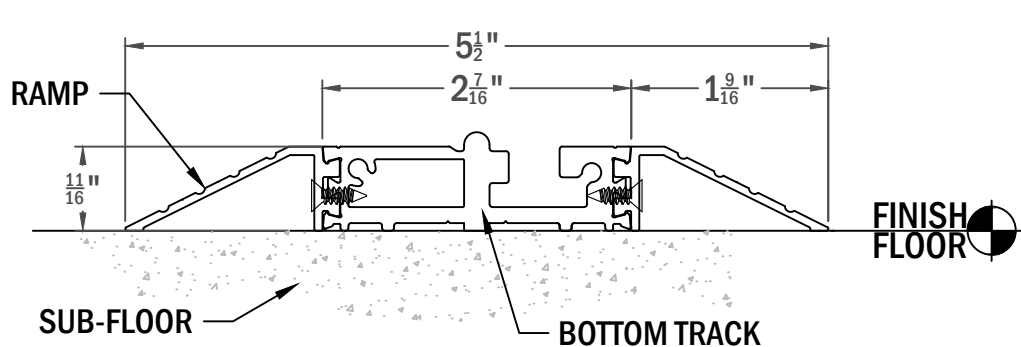
OPTION 2



OPTION 3



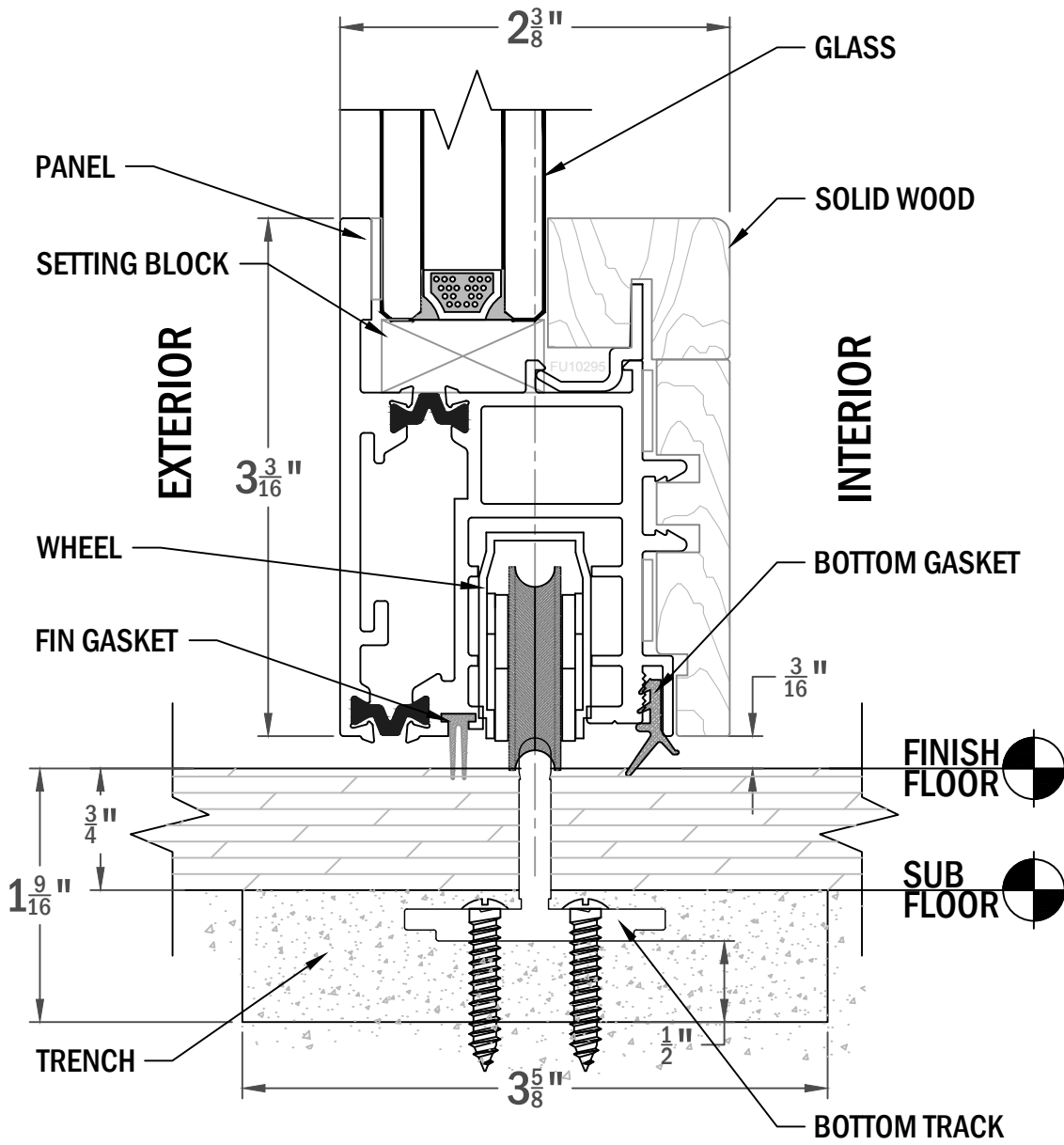
OPTION 4





RECOMMENDED TRENCH WIDTH:

- 1 TRACK : 3 ⁵/₈" WIDE
- 2 TRACK: 6 ⁹/₁₆" WIDE
- 3 TRACK: 9 ¹/₂" WIDE
- 4 TRACK: 12 ³/₈" WIDE





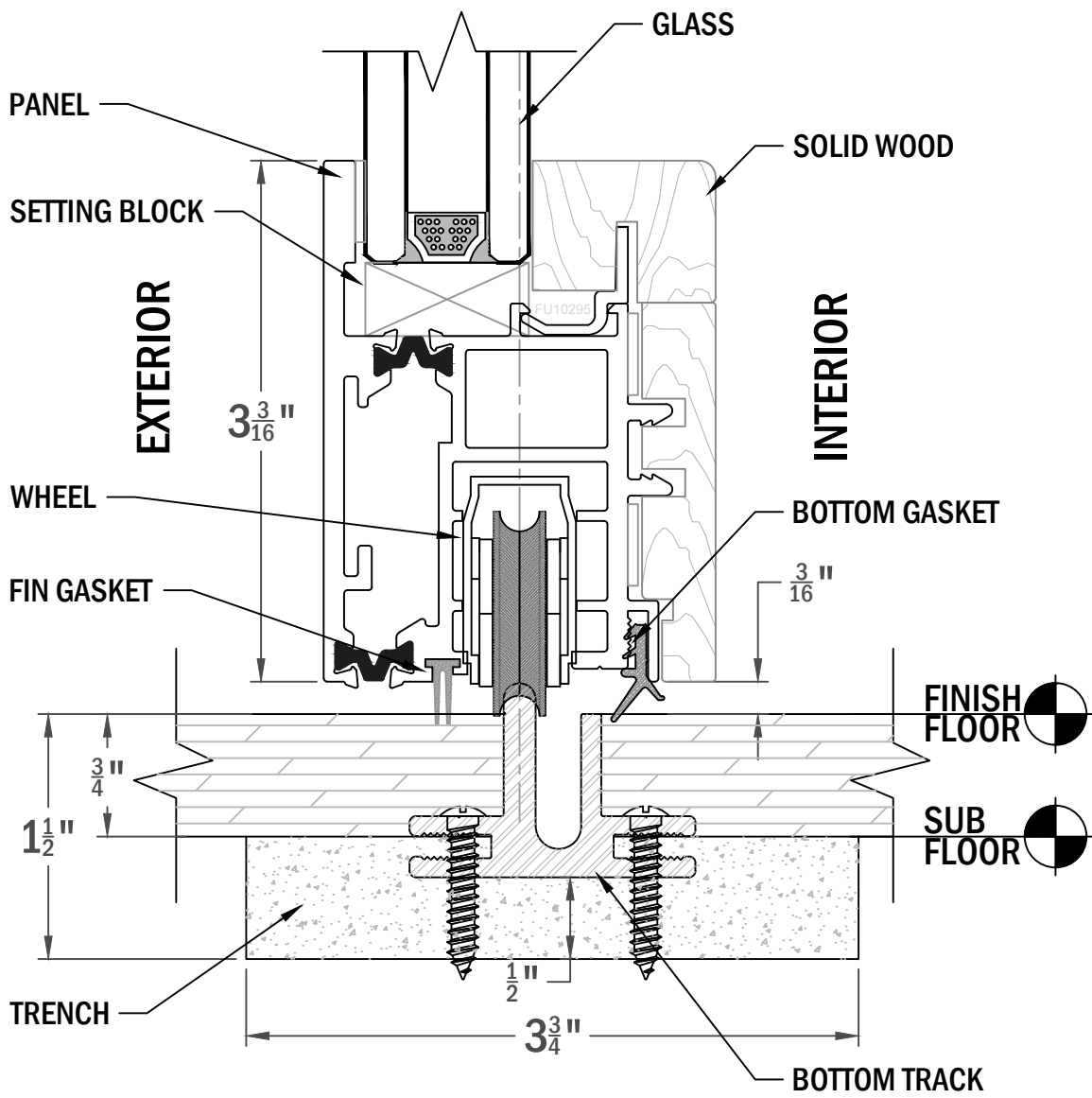
RECOMMENDED TRENCH WIDTH:

1 TRACK : 3 3/4" WIDE

2 TRACK: 6 11/16" WIDE

3 TRACK: 9 5/8" WIDE

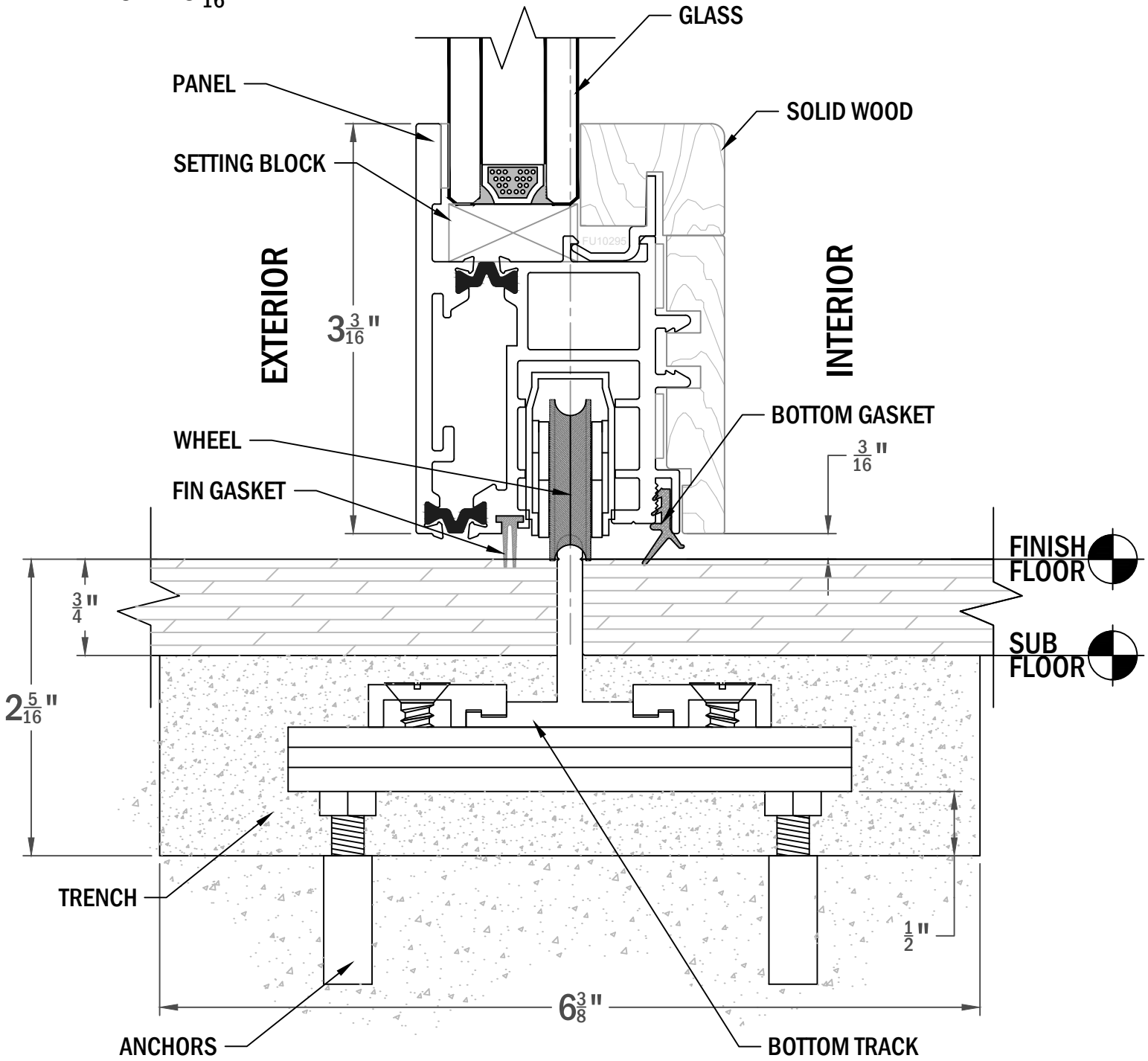
4 TRACK: 12 9/16" WIDE





RECOMMENDED TRENCH WIDTH:

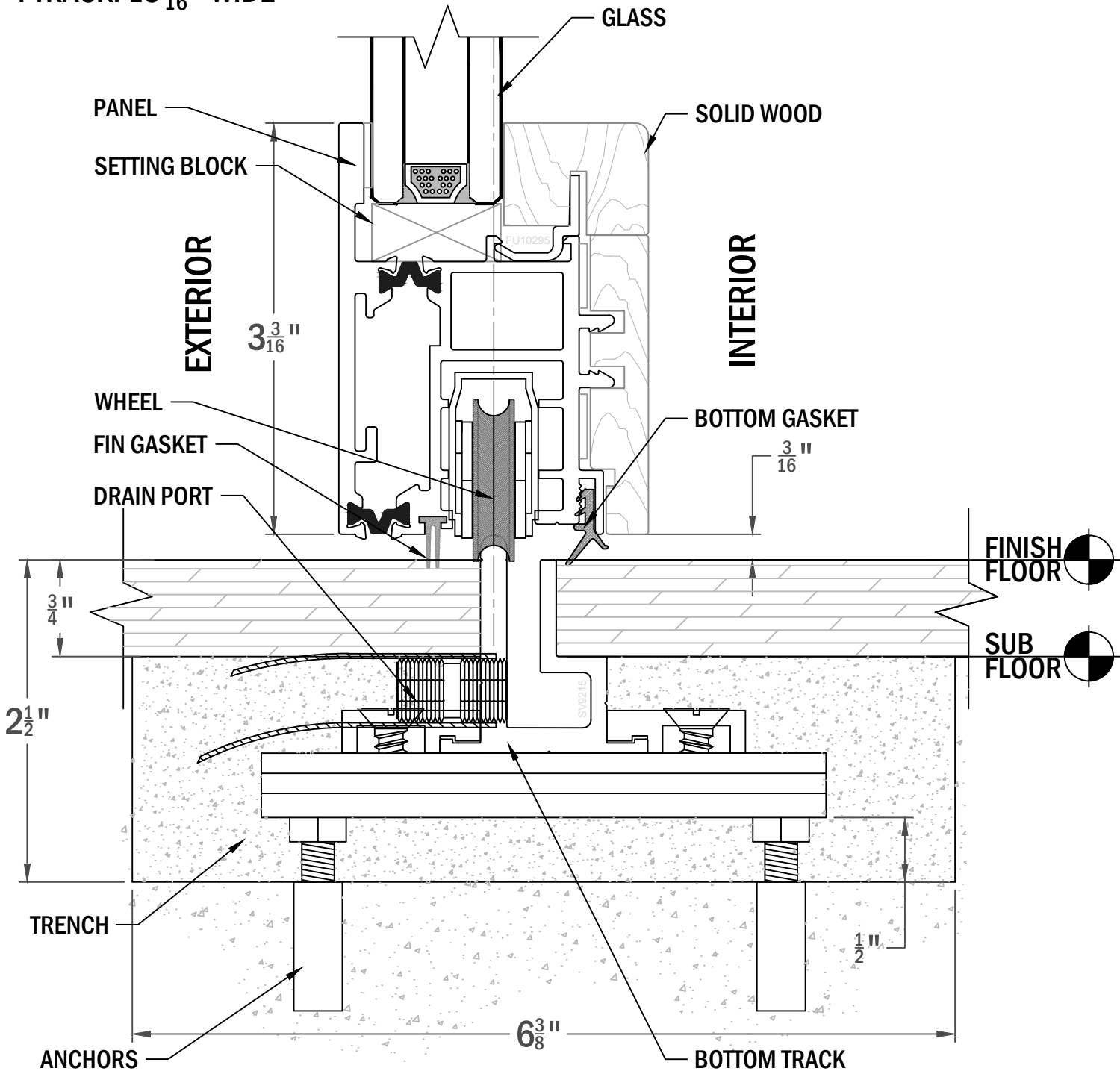
- 1 TRACK : 6 ³/₈" WIDE
- 2 TRACK: 9 ⁵/₁₆" WIDE
- 3 TRACK: 12 ¹/₄" WIDE
- 4 TRACK: 15 ³/₁₆" WIDE





RECOMMENDED TRENCH WIDTH:

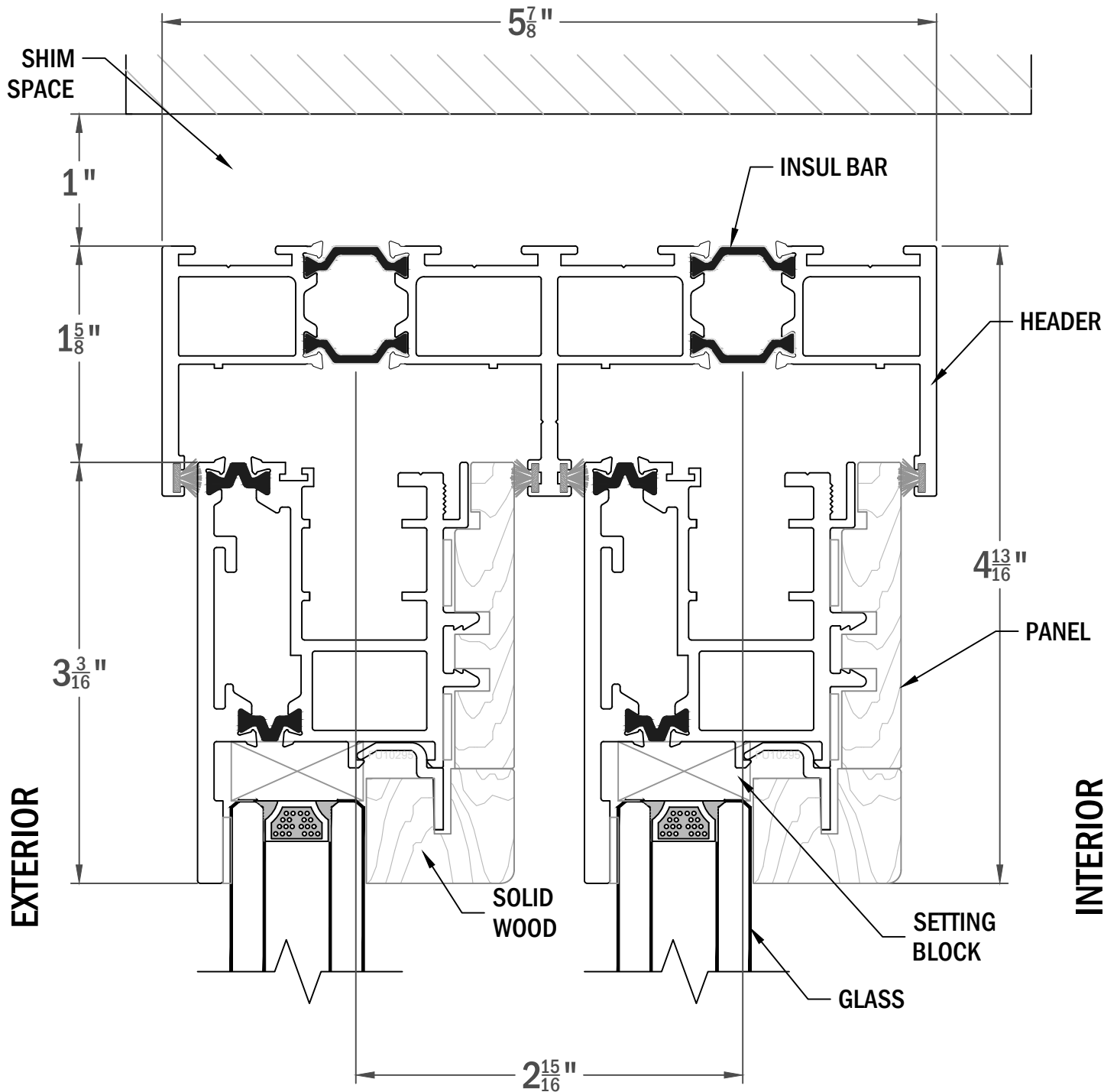
- 1 TRACK : 6 ³/₈" WIDE
- 2 TRACK: 9 ⁵/₁₆" WIDE
- 3 TRACK: 12 ¹/₄" WIDE
- 4 TRACK: 15 ³/₁₆" WIDE





HEADER WIDTH:

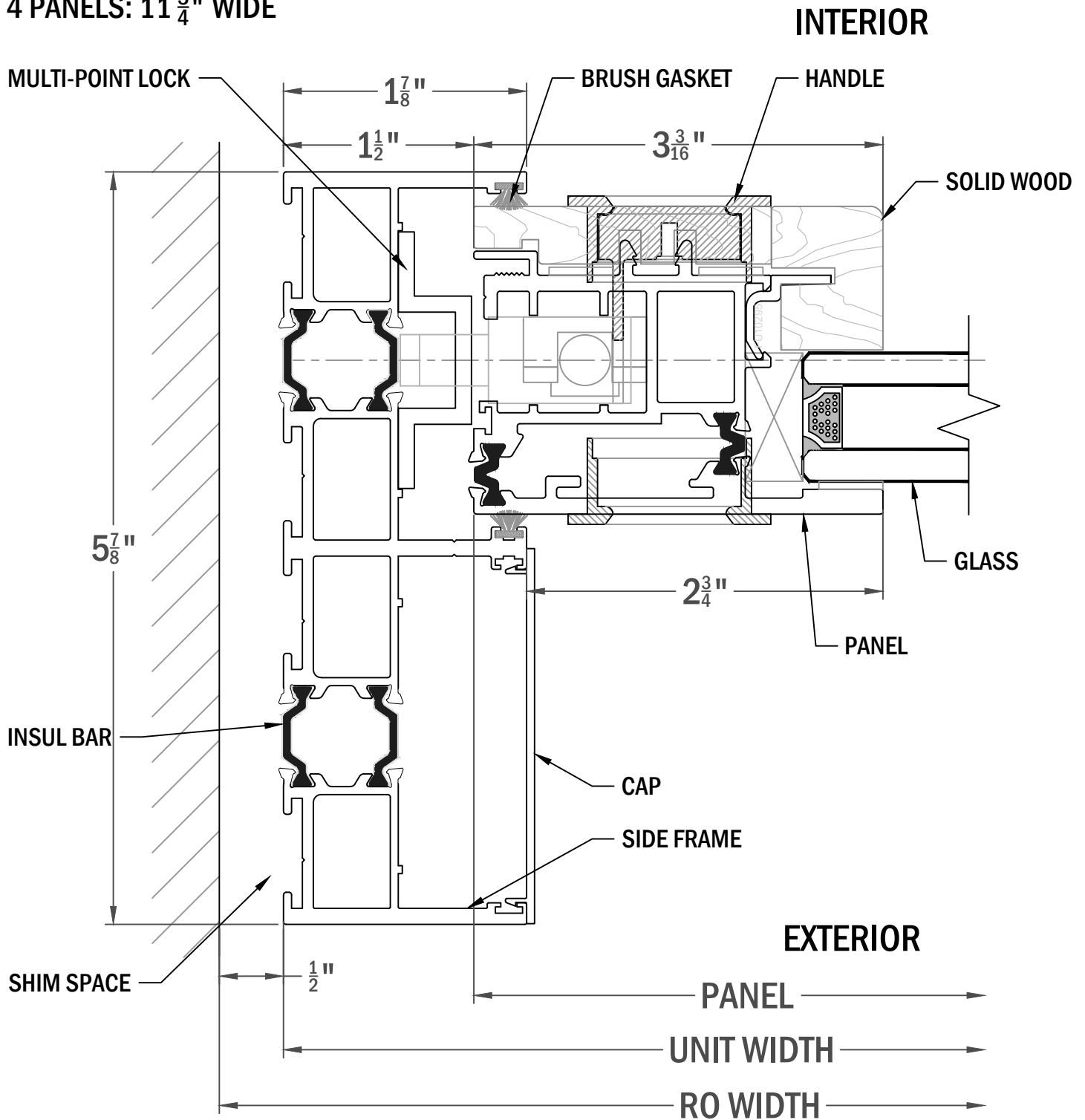
- 1 PANEL: $2 \frac{15}{16}$ " WIDE
- 2 PANELS: $5 \frac{7}{8}$ " WIDE
- 3 PANELS: $8 \frac{13}{16}$ " WIDE
- 4 PANELS: $11 \frac{3}{4}$ " WIDE

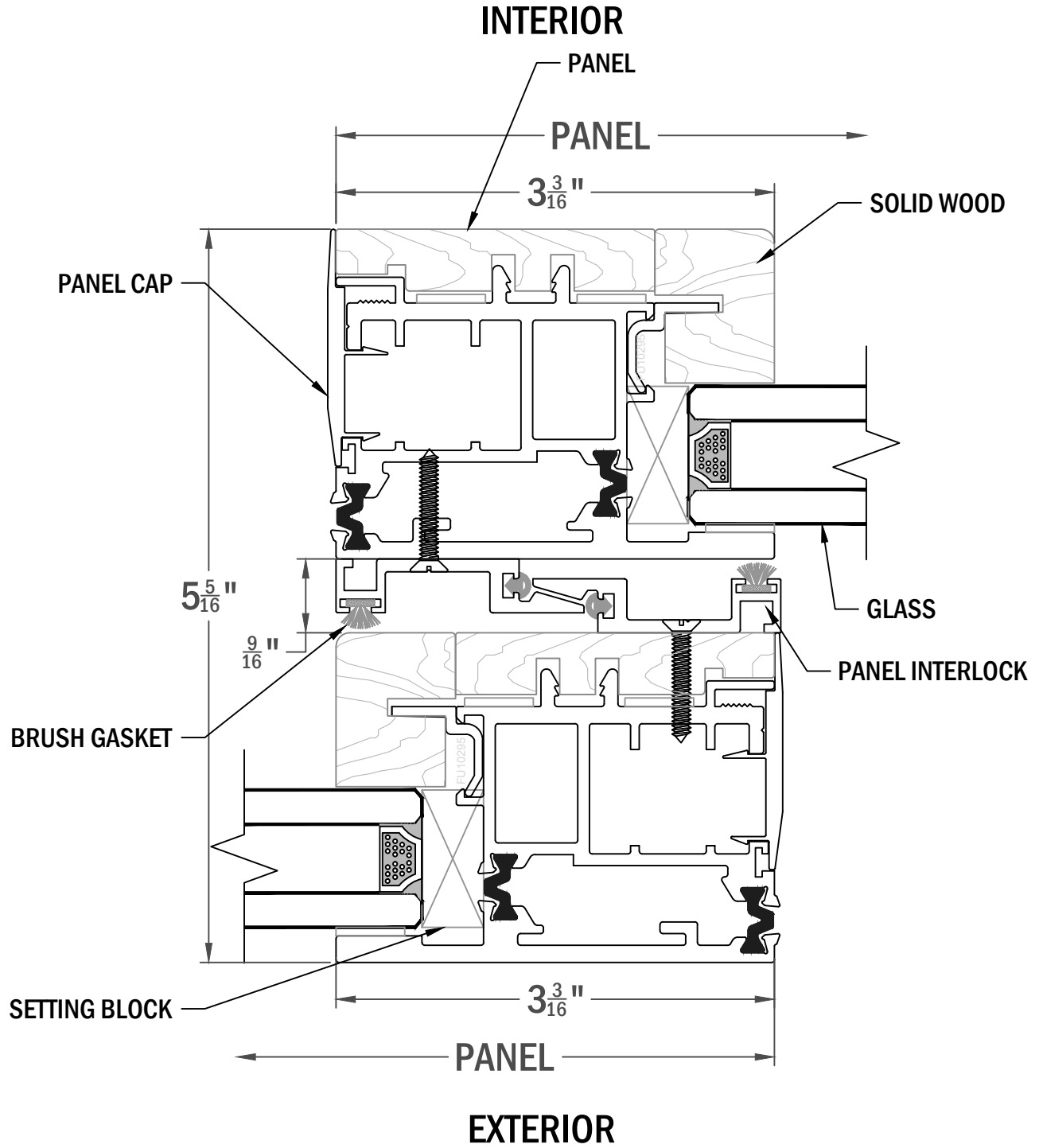


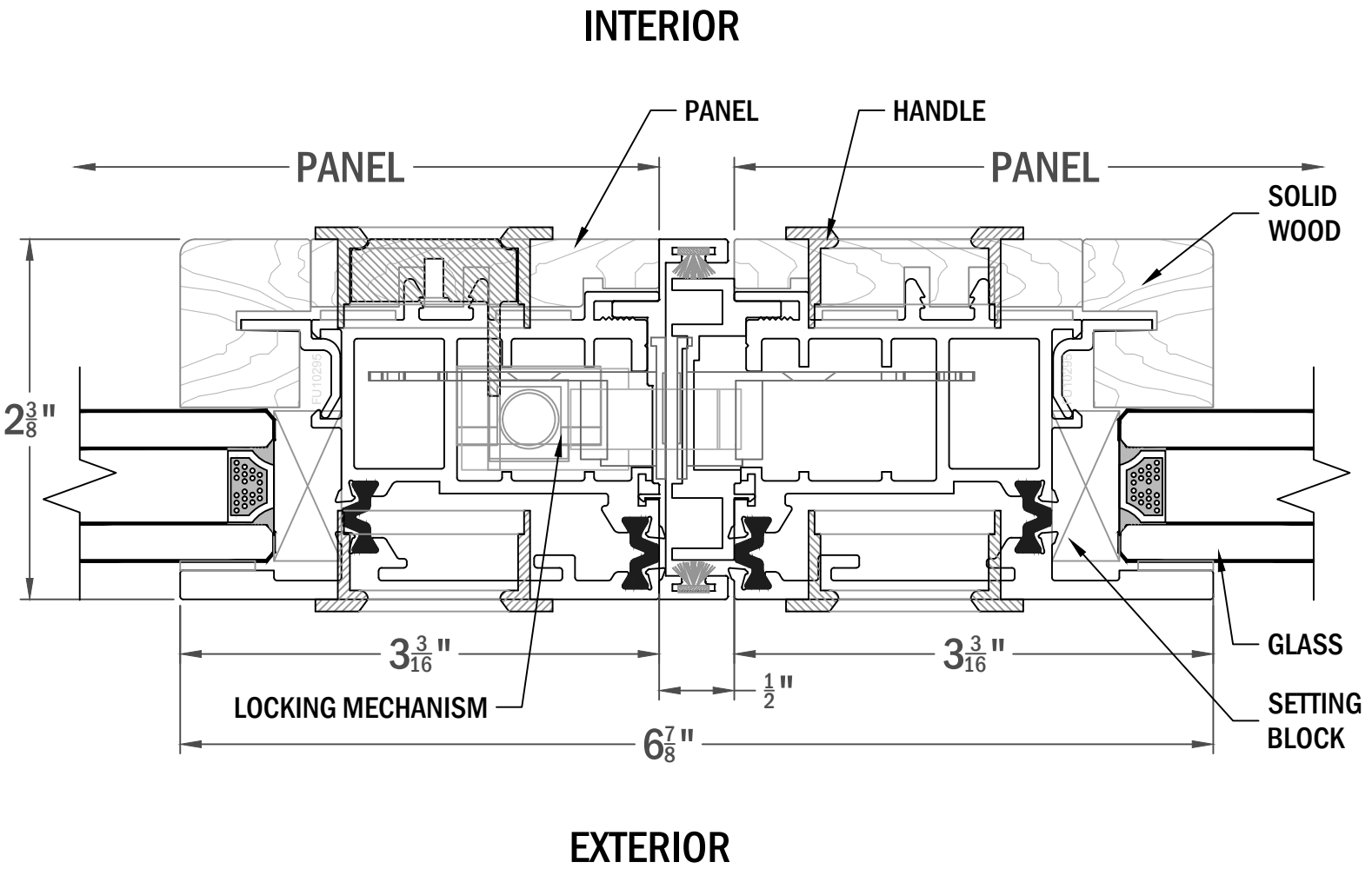


SIDE FRAME WIDTH:

- 1 PANEL: $2 \frac{15}{16}$ " WIDE
- 2 PANELS: $5 \frac{7}{8}$ " WIDE
- 3 PANELS: $8 \frac{13}{16}$ " WIDE
- 4 PANELS: $11 \frac{3}{4}$ " WIDE









RECOMMENDED POCKET WIDTH:

- 1 PANEL: 2 ³/₄" WIDE
- 2 PANELS: 5 ⁵/₈" WIDE
- 3 PANELS: 8 ¹/₄" WIDE
- 4 PANELS: 11 ¹/₄" WIDE

