



The Panda TB Lift and Slide door system is custom made to order and has been designed specifically for use in climates where thermal insulation and U-factor is of importance in this type of product.

### **Profiles:**

Profiles are manufactured from 6063-T5 extruded aluminum with a wall thickness of up to 1/8" allowing for oversized panels. Polyamide iso bars which provide greater structural integrity and sheer strength over other thermal break options. Each panel can be in excess of 70 square feet in size over 14' in height. The door systems are available with either powder coat, Kynar or anodized finishes in virtually any color the customer chooses.

### **Tracking:**

There are 6 types of tracks available to accommodate any flooring conditions, allowing for an almost seamless look with only 3/16" protrusion above the finished floor. All weight is carried on the bottom track, the top track serves as a guide.

### **Configurations:**

Many configurations can be achieved using multiple panels, tracks, and angled panel connectors, almost any size and shape of opening can be accommodated.

### **Hardware:**

The wheel carriages are comprised of synthetic nylon wheels with encased stainless steel ball bearings and have a corrosion resistant treatment applied for high performance in coastal regions. Each wheel carriage can support up to 550 lbs which allows an 1,100 lb panel to be supported by only one set of two carriages. The operating mechanism includes a multi-point lock and can accept any 10mm Lift & Slide handle. The entire door system has specially designed EPDM gaskets to create a totally closed, weather tight system.

### **Glazing:**

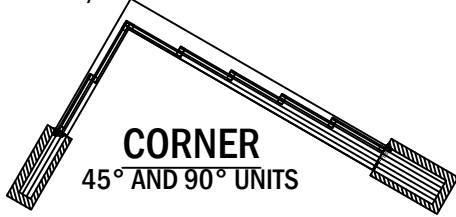
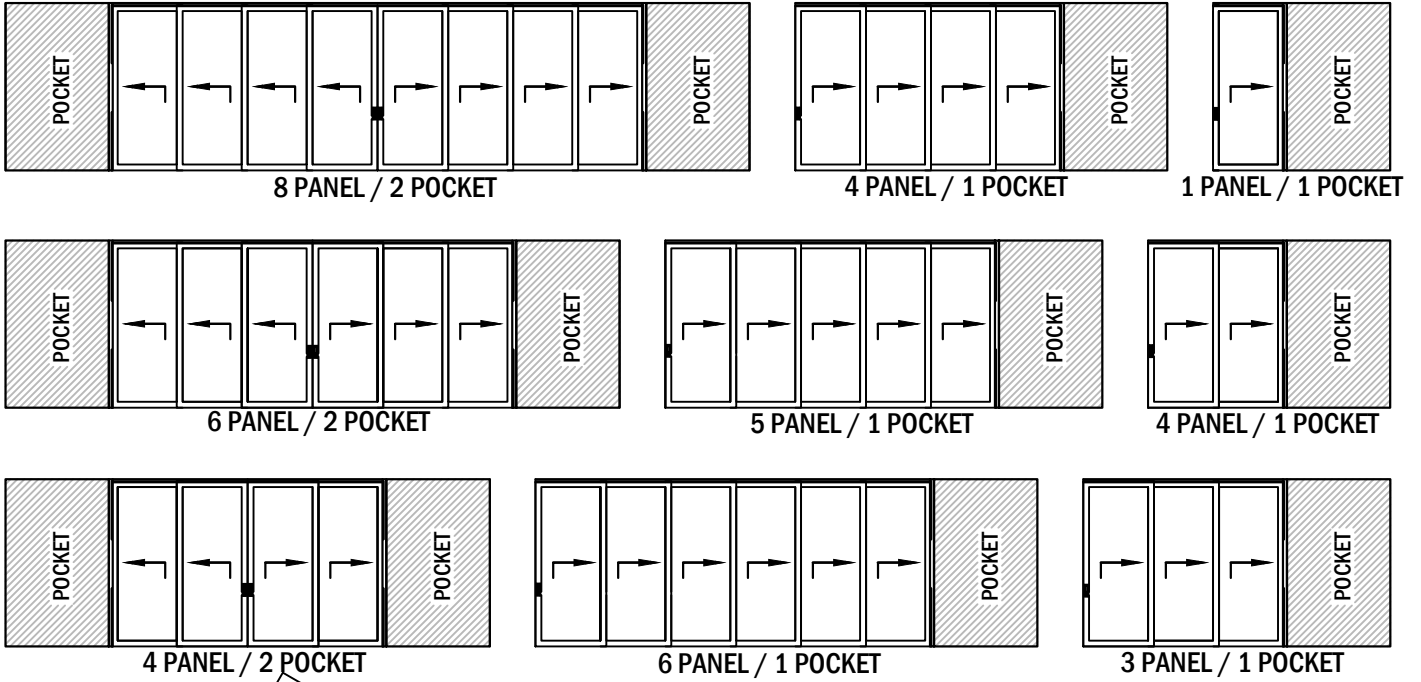
The Panda Thermally broken lift and slide system can accommodate an over all glass thickness of  $\frac{1}{4}$ ",  $\frac{3}{8}$ ",  $\frac{1}{2}$ ",  $\frac{9}{16}$ ", 1",  $1\frac{7}{8}$ ", 2",  $2\frac{1}{8}$ " max.

### **Weight:**

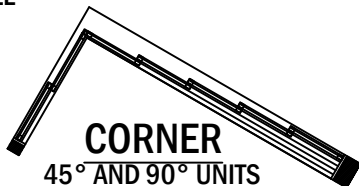
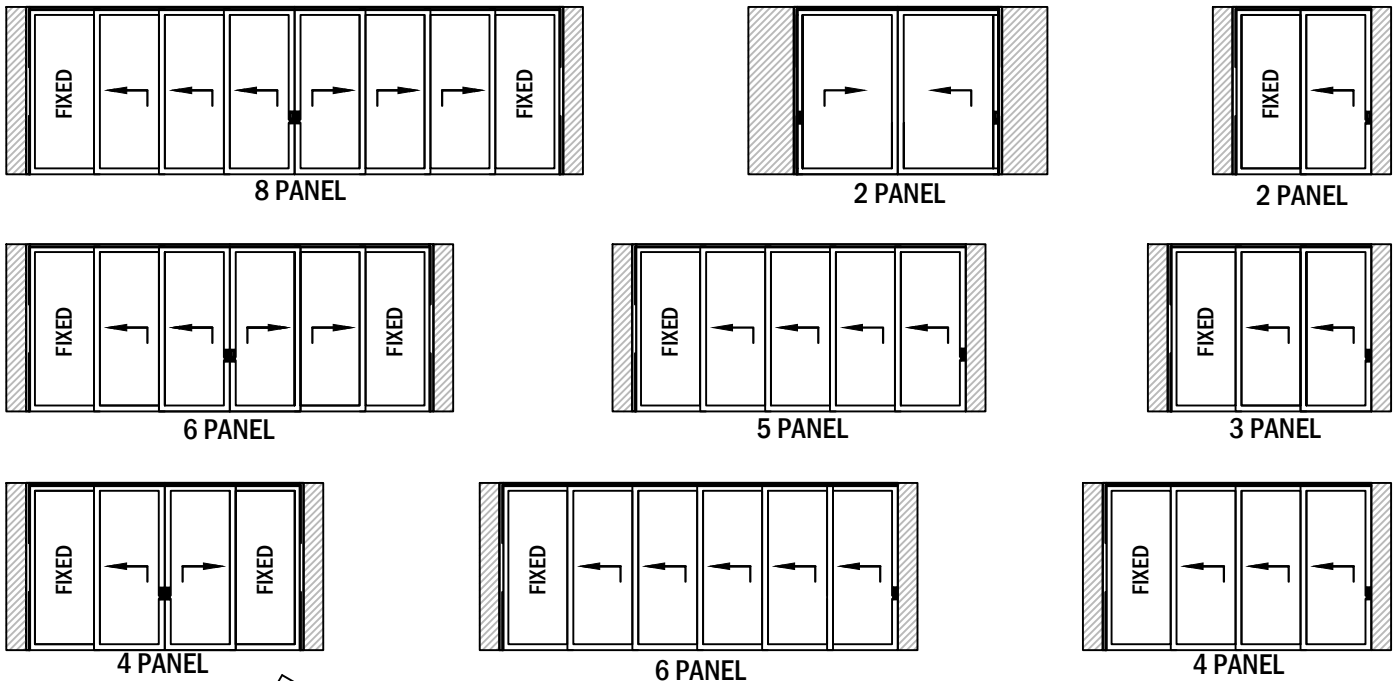
Each panel weighs approximately 7to 8 lbs per sq ft depending on overall panel size.

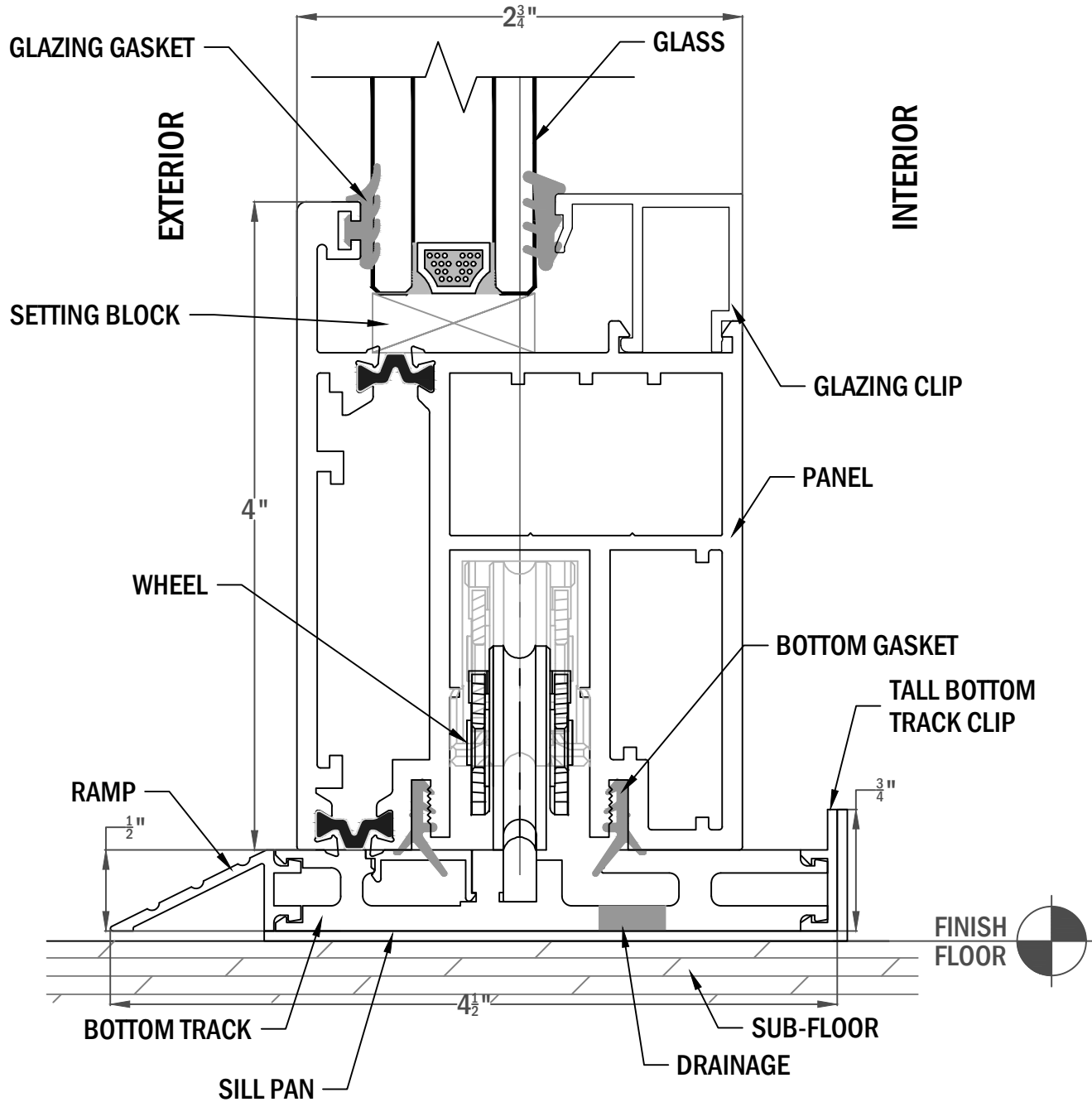


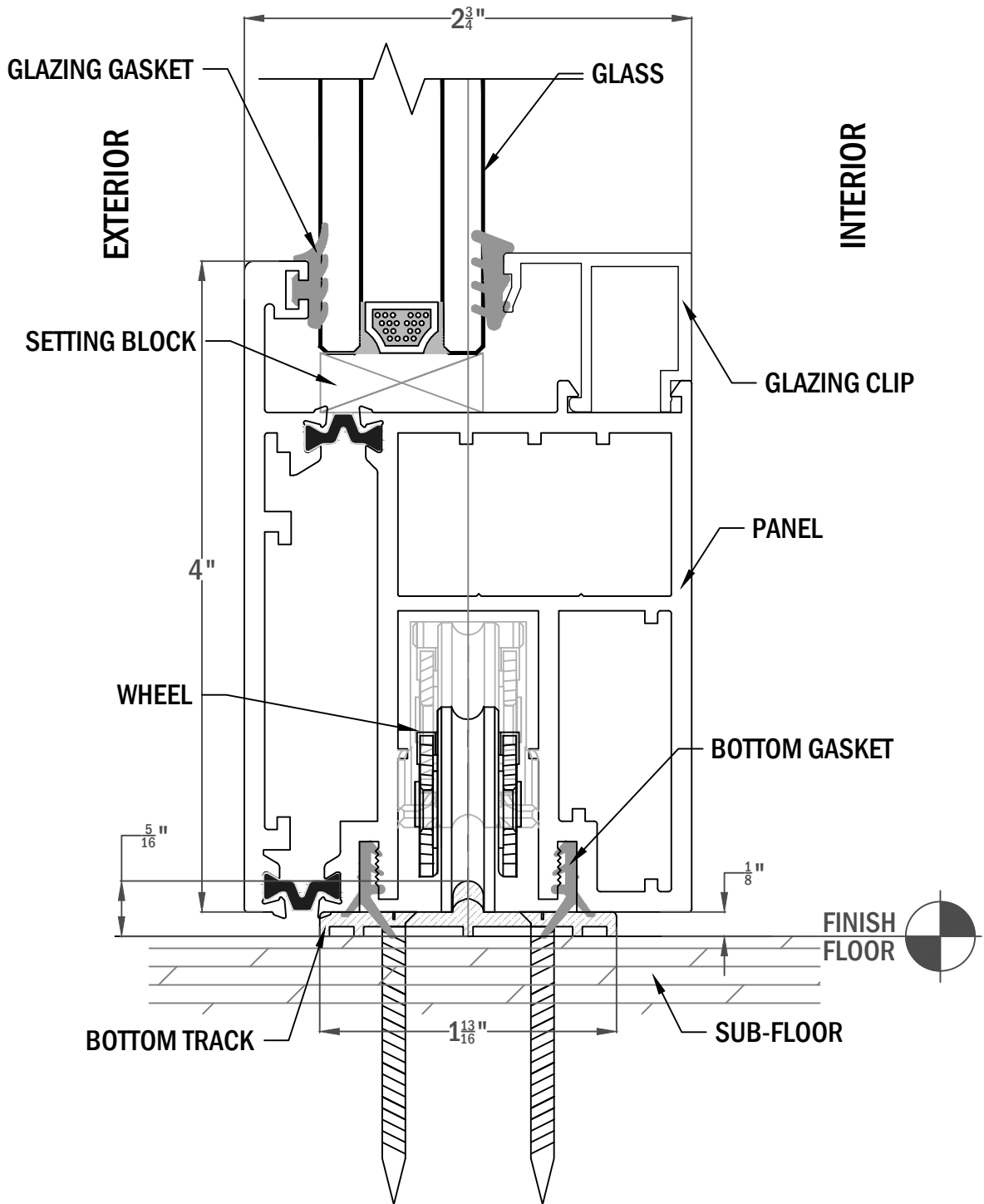
PANEL CONFIGURATION WITH POCKETS (SYSTEM CAN STACK LEFT AND/OR RIGHT)



PANEL CONFIGURATION WITH FIXED PANEL (SYSTEM CAN STACK LEFT AND/OR RIGHT)



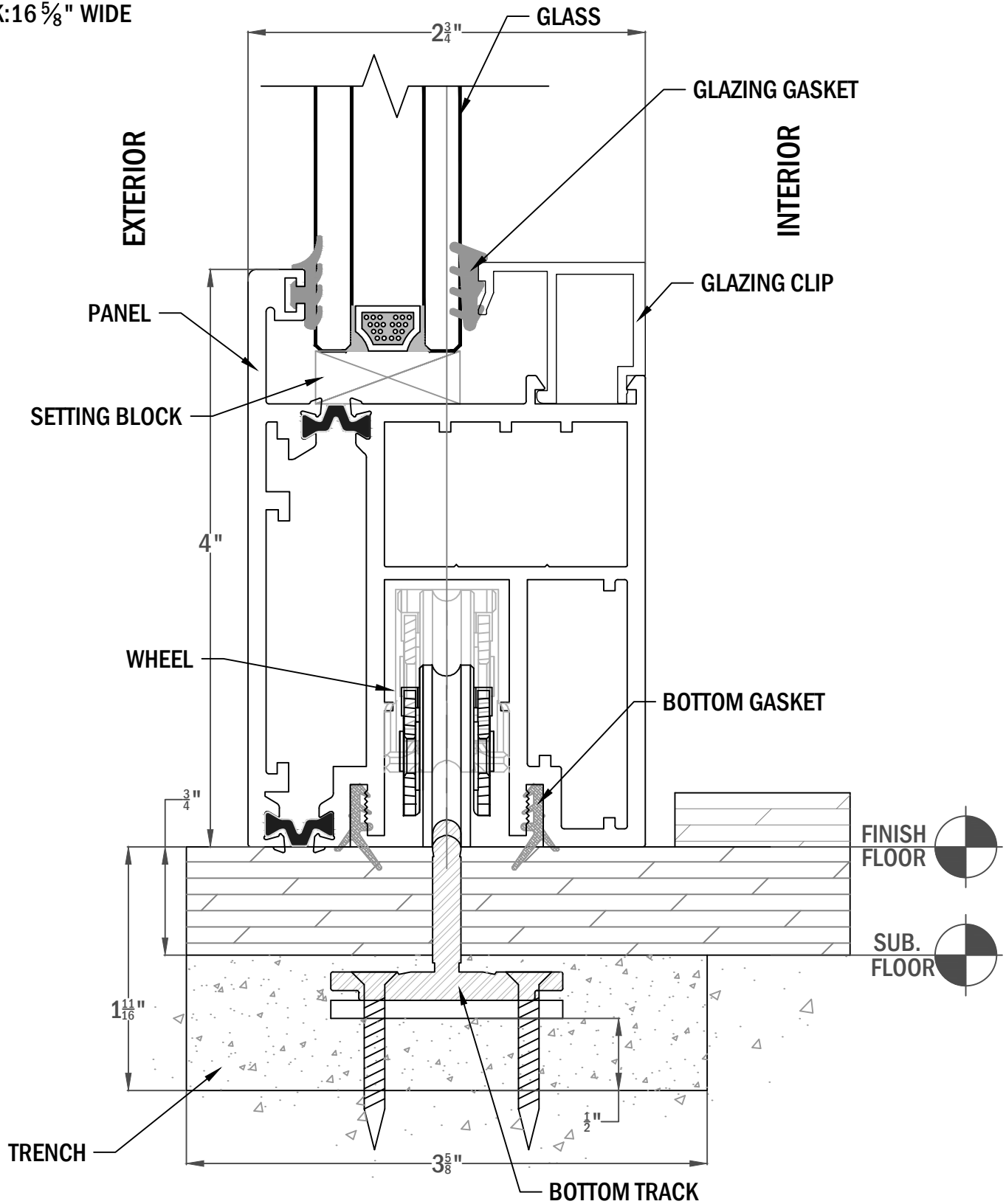






**RECOMMENDED TRENCH WIDTH:**

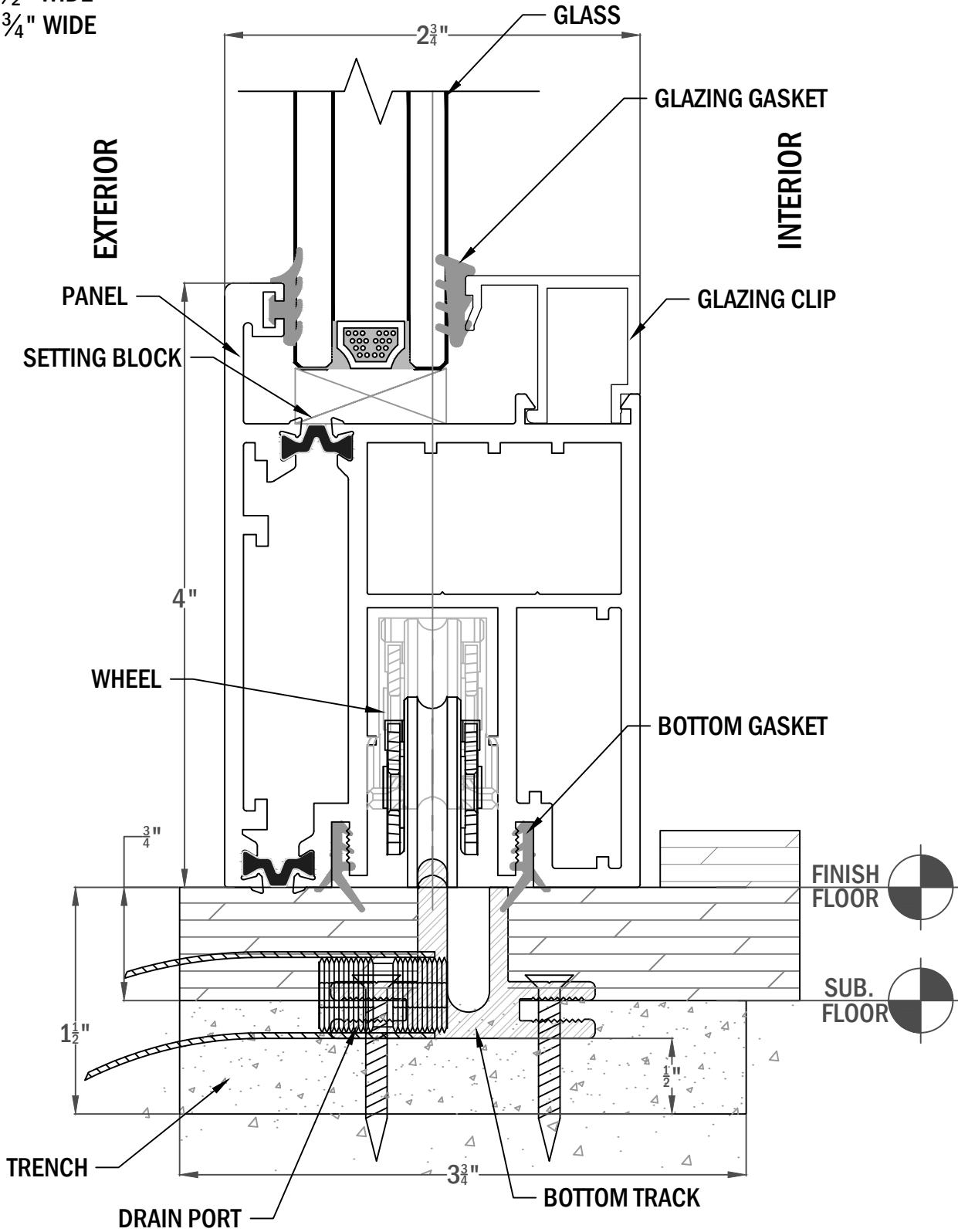
- 1 TRACK : 3 5/8" WIDE
- 2 TRACK: 6 7/8" WIDE
- 3 TRACK: 10 1/8" WIDE
- 4 TRACK: 13 3/8" WIDE
- 5 TRACK: 16 5/8" WIDE





**RECOMMENDED TRENCH WIDTH:**

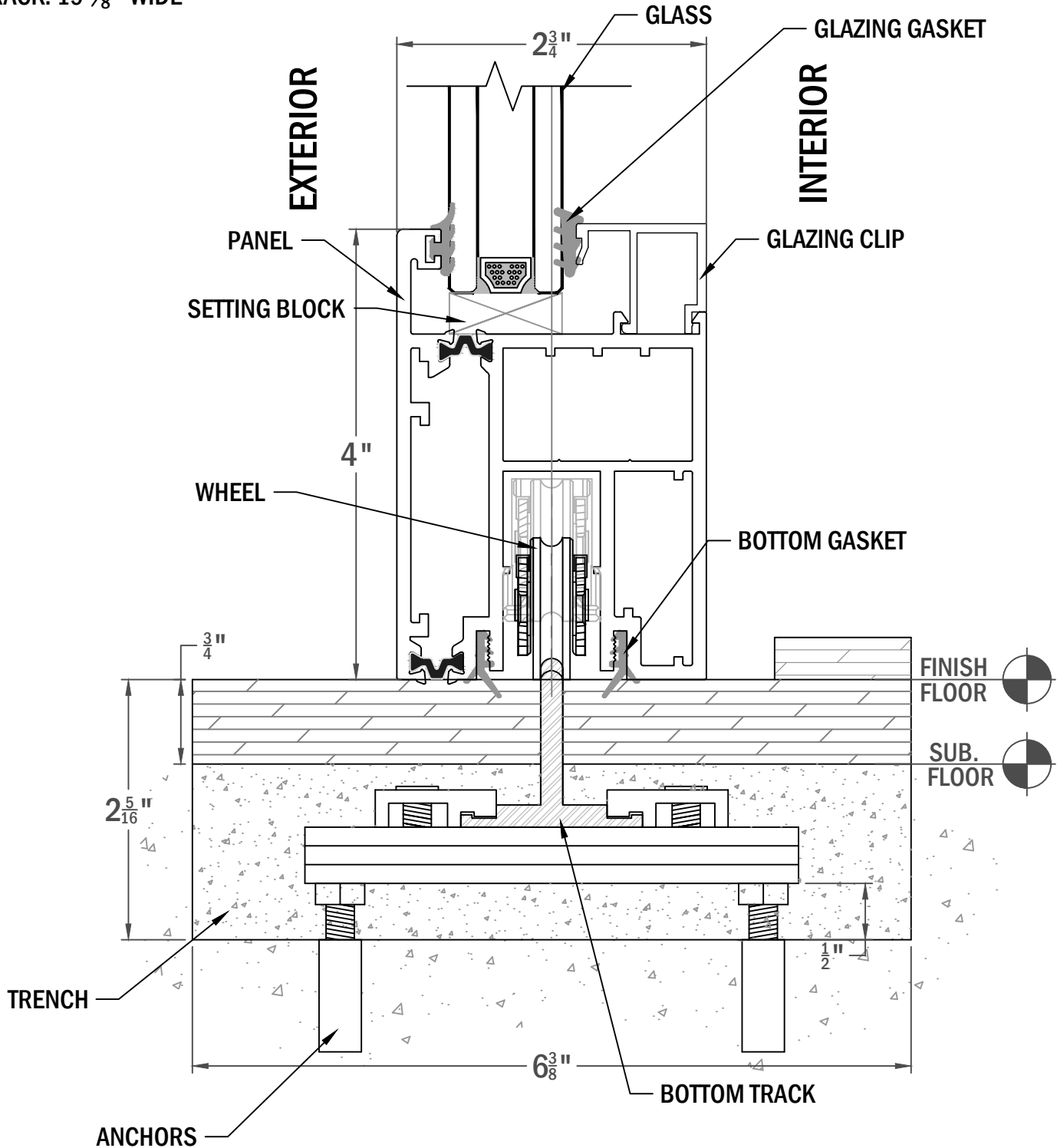
- 1 TRACK : 3 3/4" WIDE
- 2 TRACK : 7" WIDE
- 3 TRACK : 10 1/4" WIDE
- 4 TRACK : 13 1/2" WIDE
- 5 TRACK : 16 3/4" WIDE





**RECOMMENDED TRENCH WIDTH:**

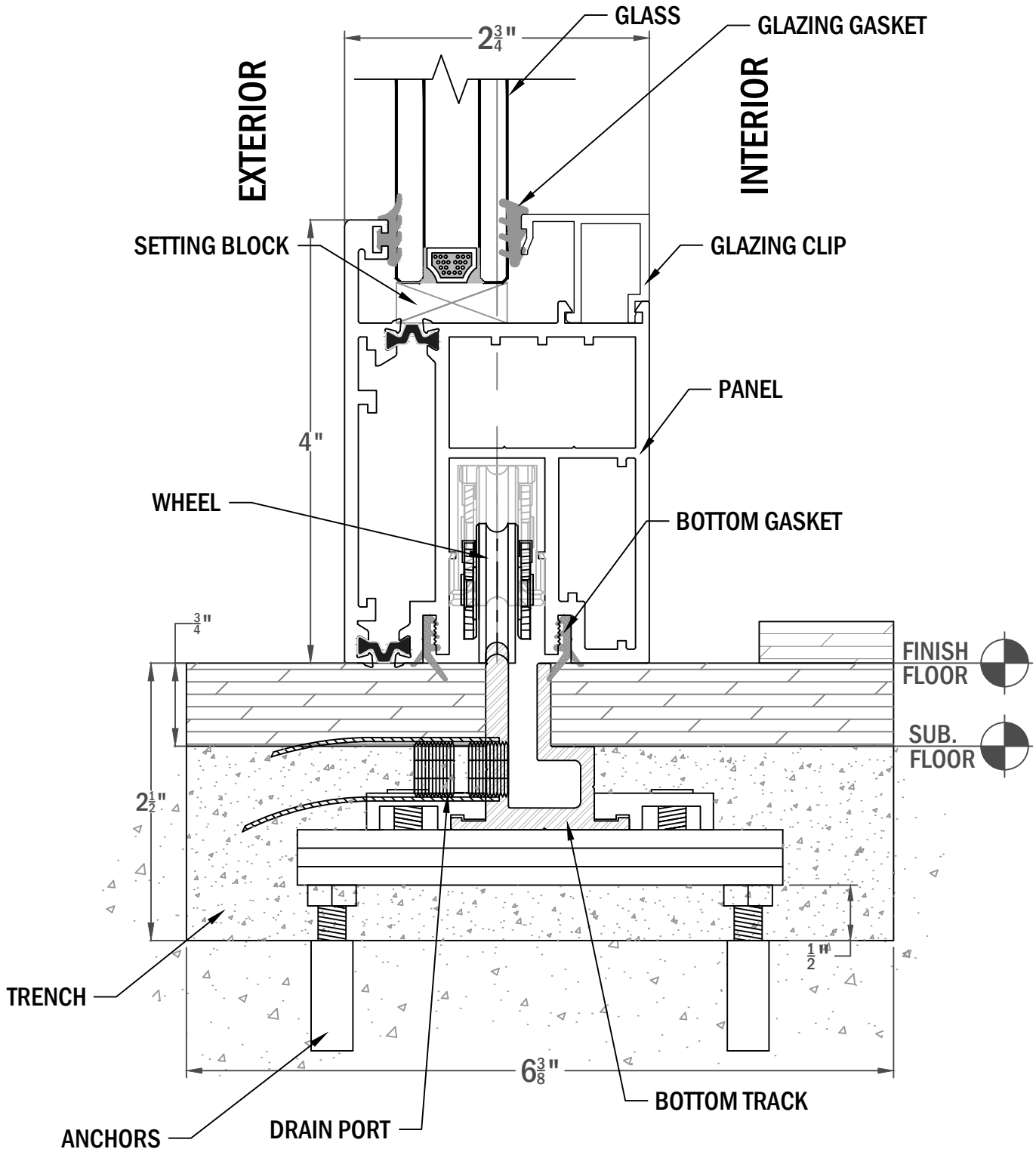
- 1 TRACK : 6 3/8" WIDE
- 2 TRACK : 9 5/8" WIDE
- 3 TRACK : 12 7/8" WIDE
- 4 TRACK : 16 1/8" WIDE
- 5 TRACK : 19 3/8" WIDE





**RECOMMENDED TRENCH WIDTH:**

- 1 TRACK : 6 3/8" WIDE
- 2 TRACK : 9 5/8" WIDE
- 3 TRACK : 12 7/8" WIDE
- 4 TRACK : 16 1/8" WIDE
- 5 TRACK : 19 3/8" WIDE

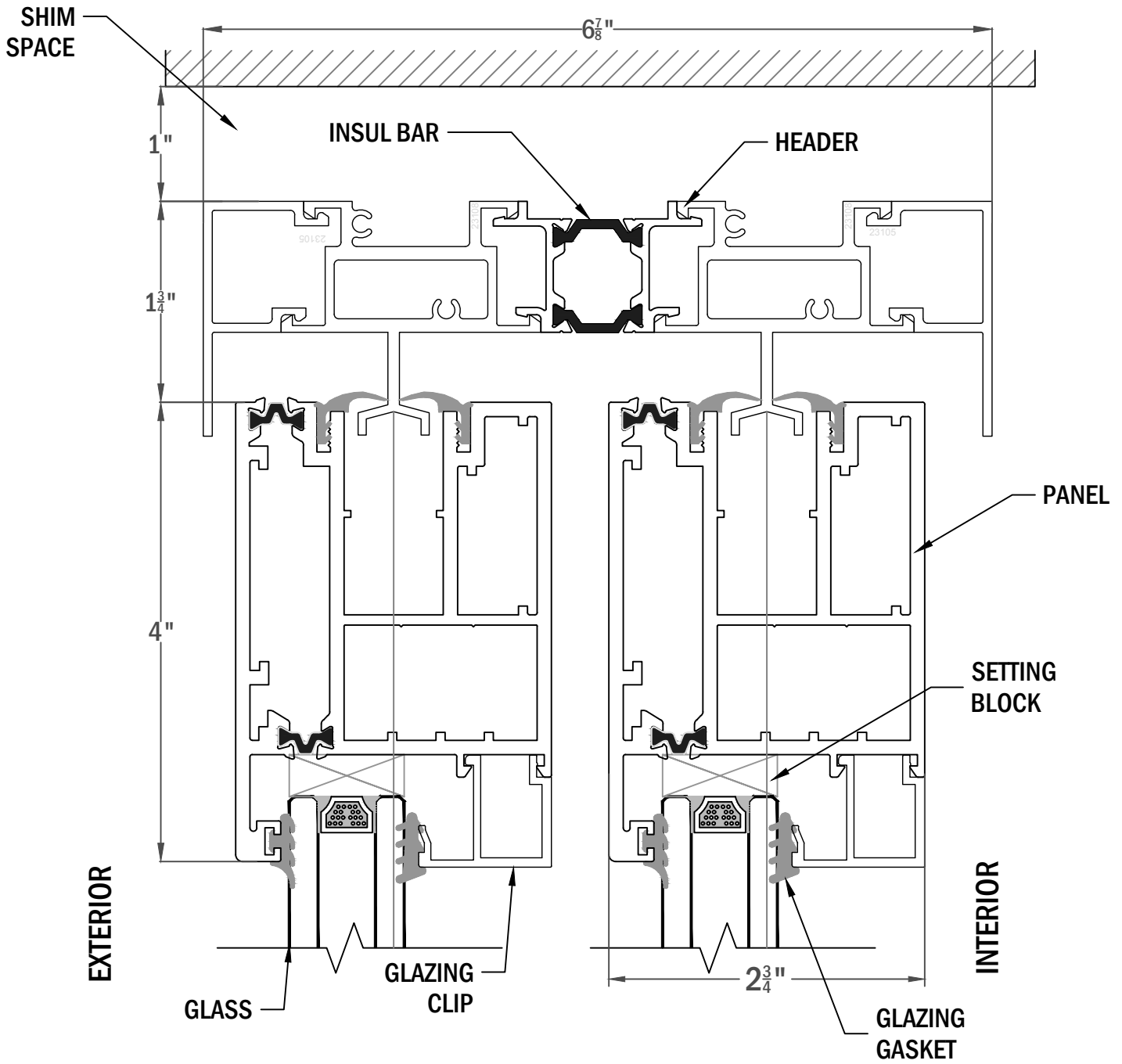






**HEADER WIDTH:**

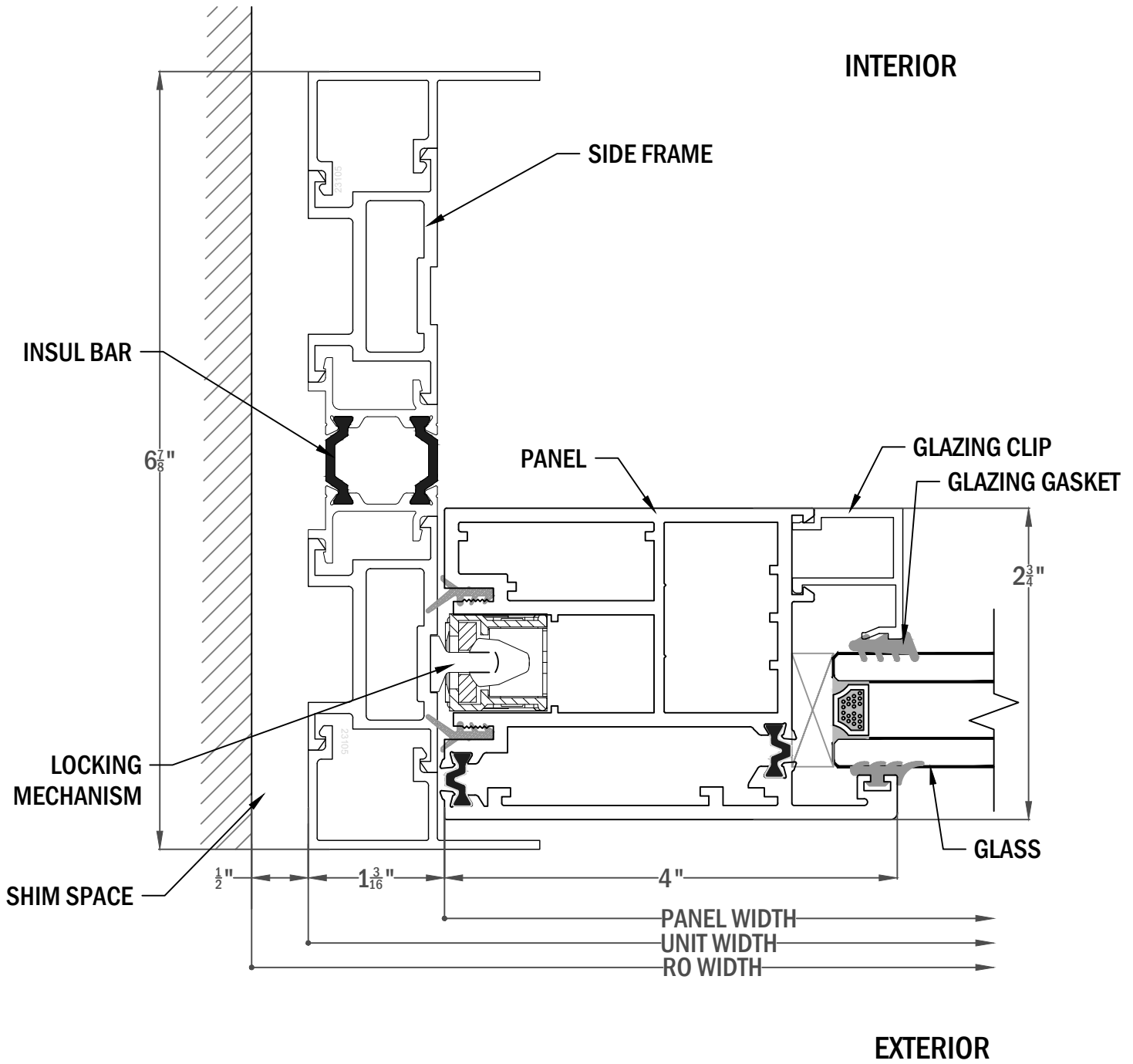
- 1 TRACK : 3 <sup>5</sup>/<sub>8</sub>" WIDE
- 2 TRACK : 6 <sup>7</sup>/<sub>8</sub>" WIDE
- 3 TRACK : 10 <sup>1</sup>/<sub>8</sub>" WIDE
- 4 TRACK : 13 <sup>3</sup>/<sub>8</sub>" WIDE
- 5 TRACK : 16 <sup>5</sup>/<sub>8</sub>" WIDE

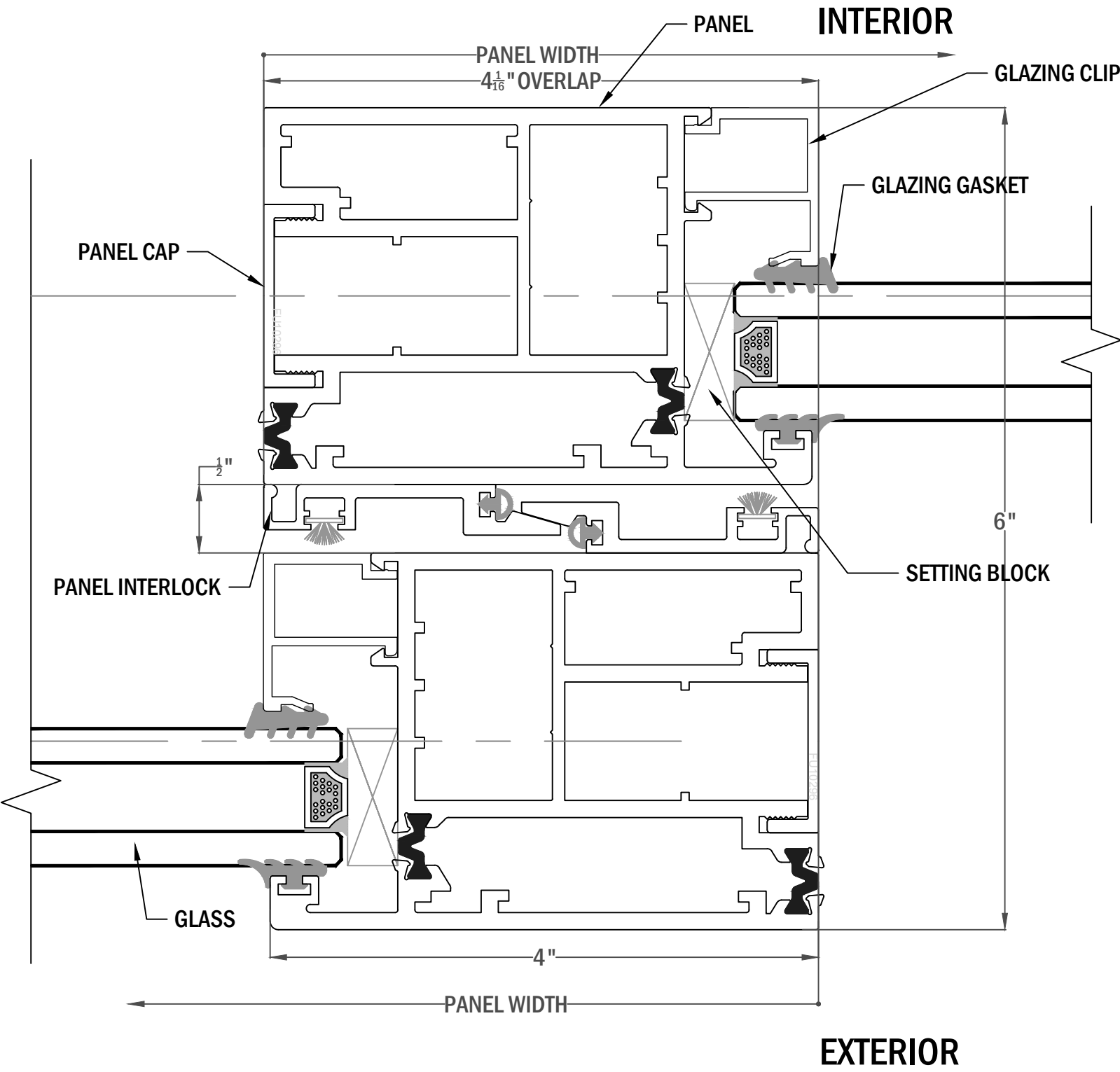


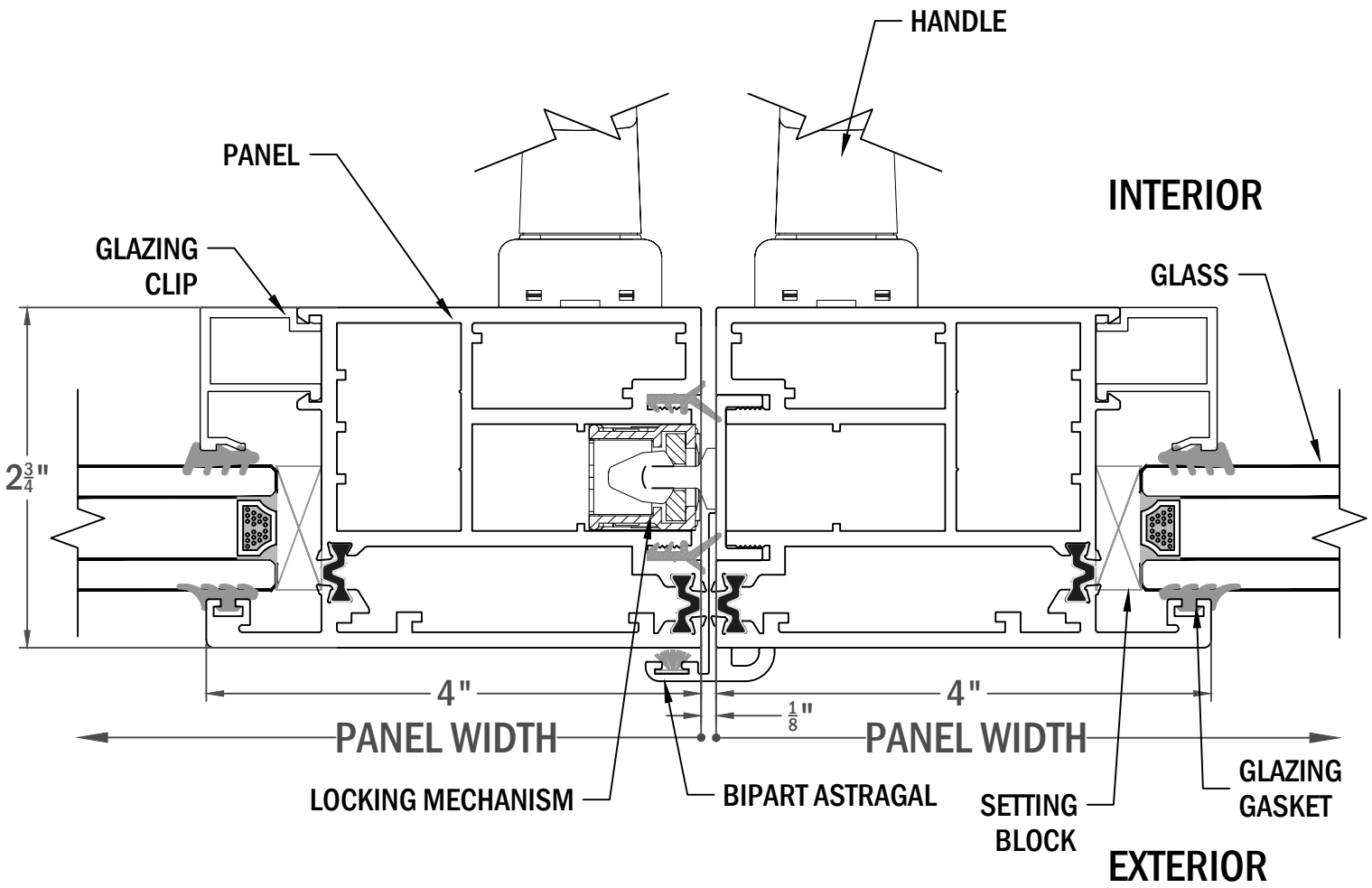


**SIDE FRAME WIDTH:**

- 1 TRACK : 3 <sup>5</sup>/<sub>8</sub>" WIDE
- 2 TRACK : 6 <sup>7</sup>/<sub>8</sub>" WIDE
- 3 TRACK : 10 <sup>1</sup>/<sub>8</sub>" WIDE
- 4 TRACK : 13 <sup>3</sup>/<sub>8</sub>" WIDE
- 5 TRACK : 16 <sup>5</sup>/<sub>8</sub>" WIDE









**RECOMMENDED POCKET WIDTH:**

- 1 TRACK : 3 <sup>13</sup>/<sub>16</sub> " WIDE
- 2 TRACK : 7 <sup>1</sup>/<sub>16</sub> " WIDE
- 3 TRACK : 10 <sup>5</sup>/<sub>16</sub> " WIDE
- 4 TRACK : 13 <sup>9</sup>/<sub>16</sub> " WIDE
- 5 TRACK : 16 <sup>13</sup>/<sub>16</sub> " WIDE

