



The Panda Grand-View 81 Series Multi-Sliding Door System is an aluminum slider designed to meet the needs of a wide variety of projects, such as: luxury homes, world class resorts, hotels and condominiums. The 81 Series has a 90 DP Rating and a Large Missile Impact Rating of 60 psf giving it good performance in those extreme weather areas. The 81 Series is a flexible system that can meet a variety of configurations: pocketing, straight, 90 degree corner and radius.

### Profiles:

The profiles are made of 6063-T5 extruded aluminum for maximum durability and flexibility. The interlocking stile is a slim  $1\frac{3}{4}$ " wide by  $2\frac{1}{2}$ " thick, maximizing the visible glass area and unobstructed view. The locking stile is  $2\frac{3}{4}$ " wide by 2" thick and supports a sturdy multi-point locking mechanism for increased strength and security. The bottom rail is  $3\frac{3}{4}$ " high by 2" wide and holds a set of large 2" stainless steel wheel carriages which can support up to 800 pounds.

### Tracks:

There are a variety of ADA compliant track options available on 81 Series. The standard track is  $\frac{3}{4}$ " high and can be either surface mounted on the finish floor or set directly on the subfloor for an even, recessed finish. The standard track has the ability to weep water for high weatherability. The 81 Series can also be set on any of the recessed lift and slide door system tracks for a seamless finish from the interior to the exterior space, but does not have the same high-quality weatherability as the standard track.

### Accessories:

Stainless steel screws and bolts are available for coastal areas. The gaskets throughout the system are made of durable EPDM rubber and high tensile felt brushes. The 81 Series has an optional integrated screen system. There are a wide variety of standard colors available in a powder coat finish and custom color matching can be done upon request. Kynar and anodizing finishes are also available.

### Glazing:

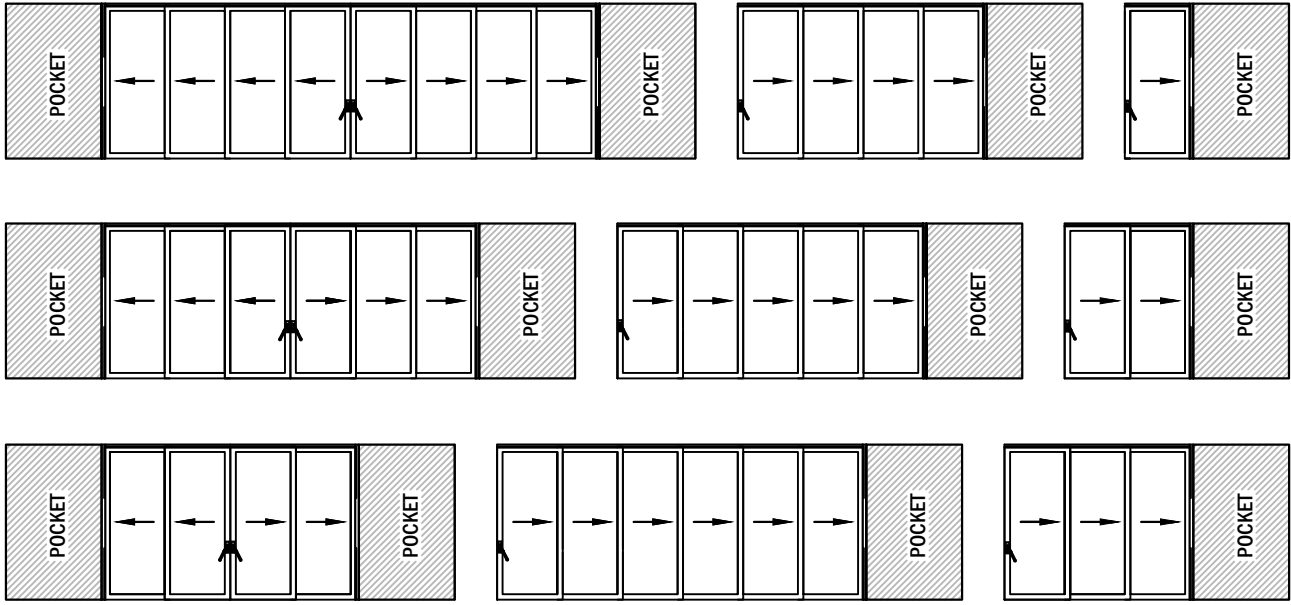
The standard glazing for the 81 Series is Clear LowE Tempered  $1\frac{7}{16}$ " Insulated Glass. A minimum  $\frac{1}{4}$ " single pane glass to a maximum  $1\frac{1}{2}$ " hurricane rated insulated glass can be used. There is also an option for  $1\frac{1}{2}$ " glass with integrated shutters enclosed.

### Sizes:

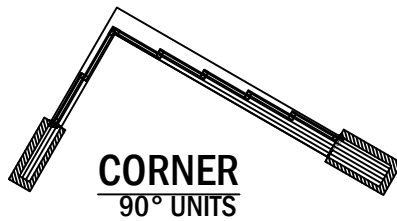
The 81 Series can span virtually any size opening up to 12' high. Maximum panel size is approximately 70 square feet.



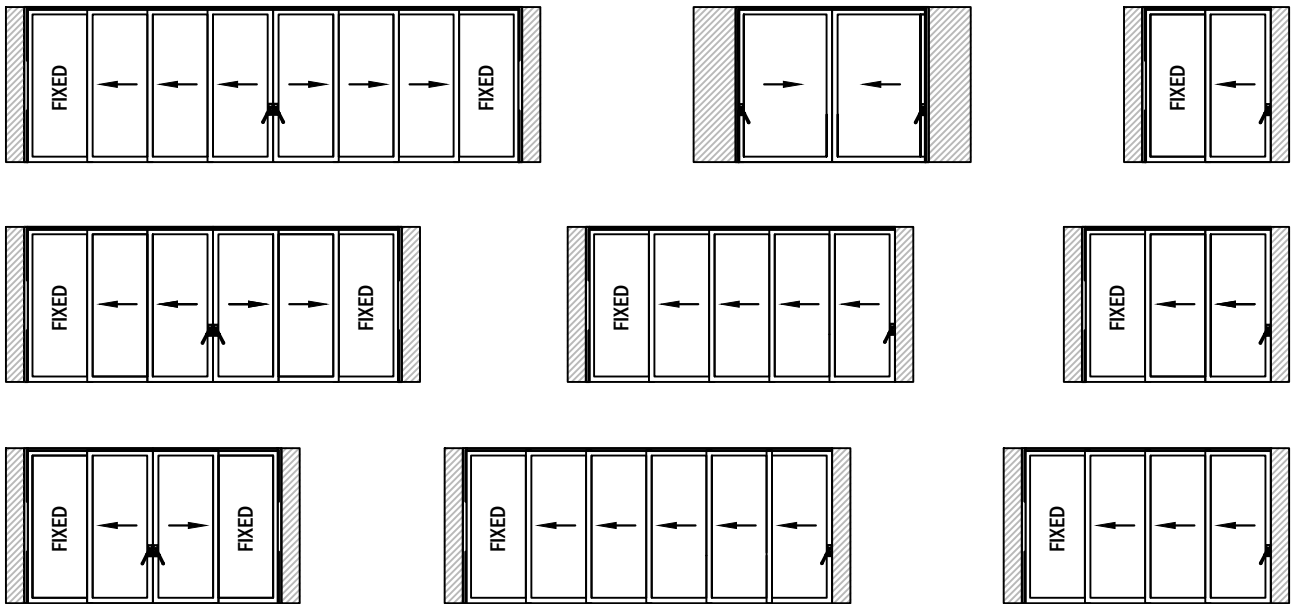
**CONFIGURATIONS WITH POCKETS**



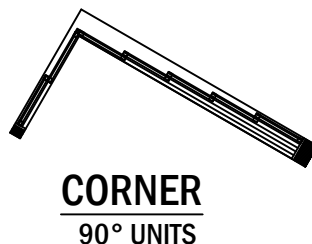
(SYSTEM CAN POCKET LEFT OR RIGHT)



**CONFIGURATIONS WITHOUT POCKETS**

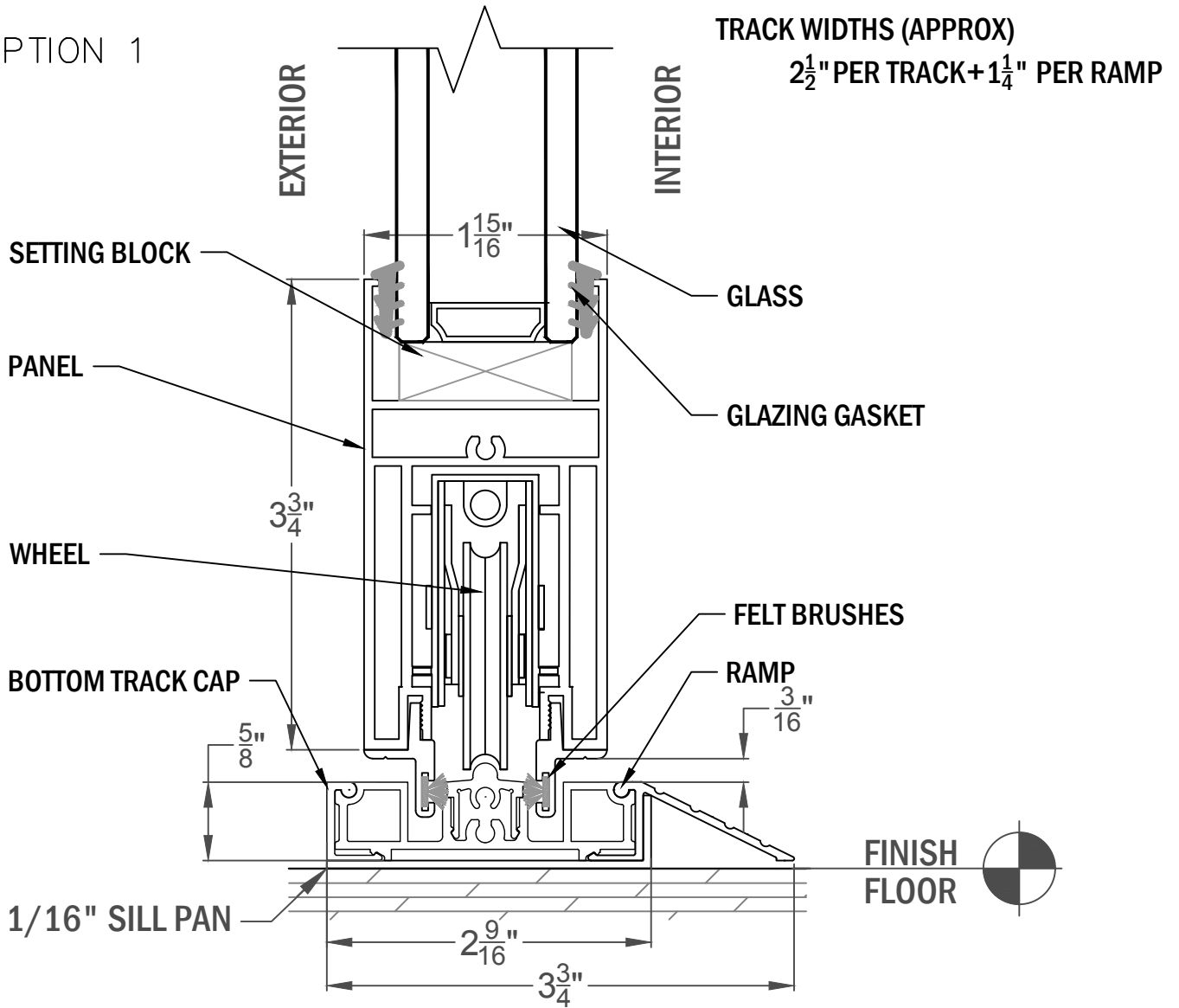


(SYSTEM CAN STACK LEFT AND/OR RIGHT)

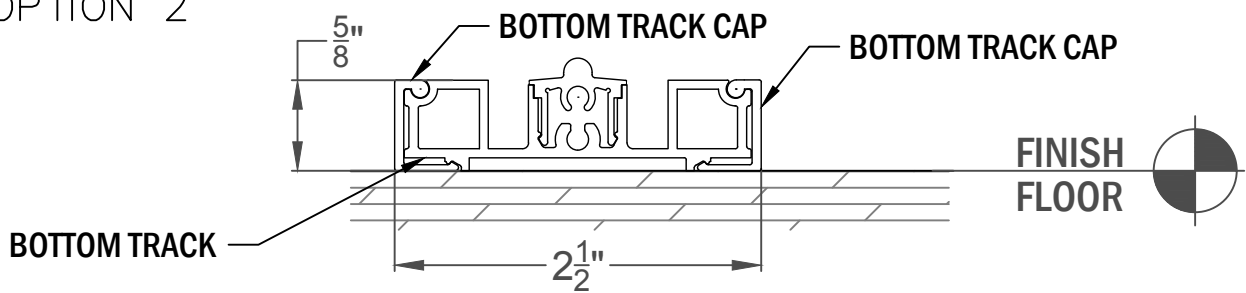




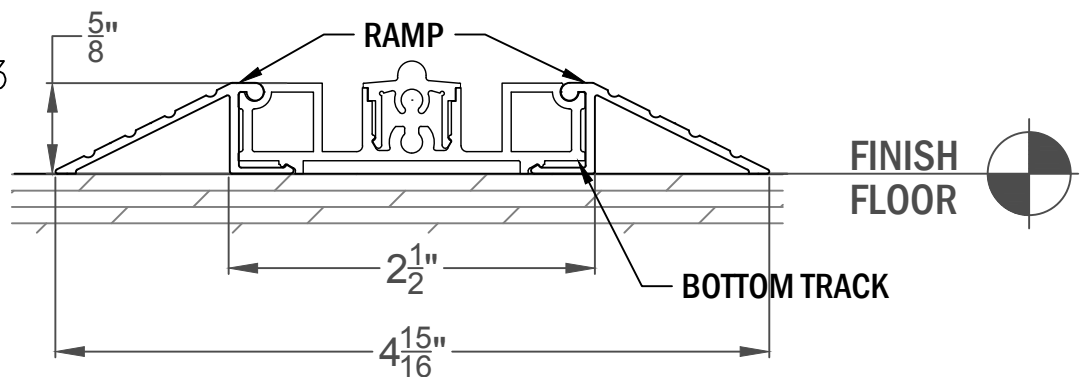
OPTION 1



OPTION 2



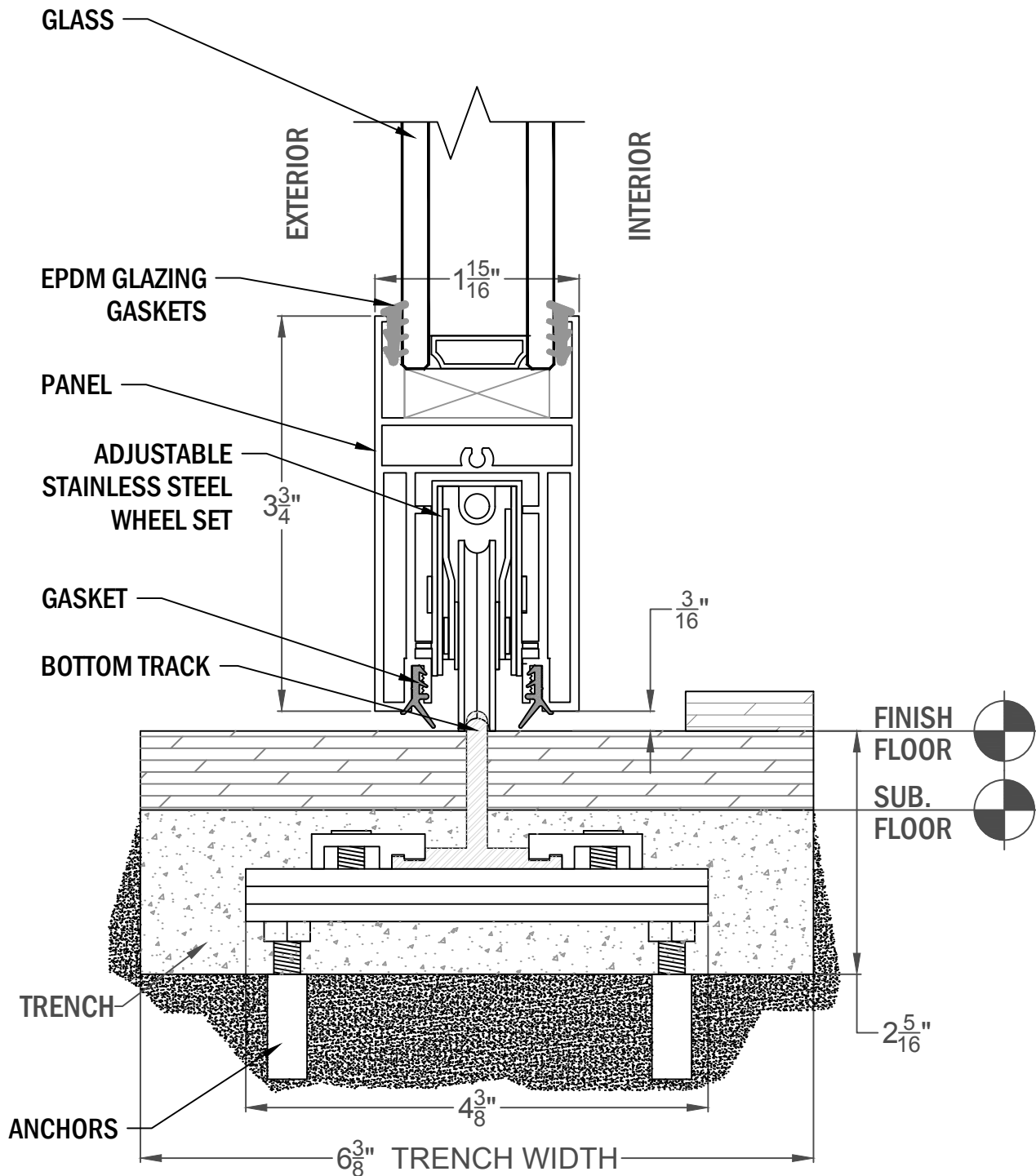
OPTION 3





RECOMMENDED TRENCH WIDTH

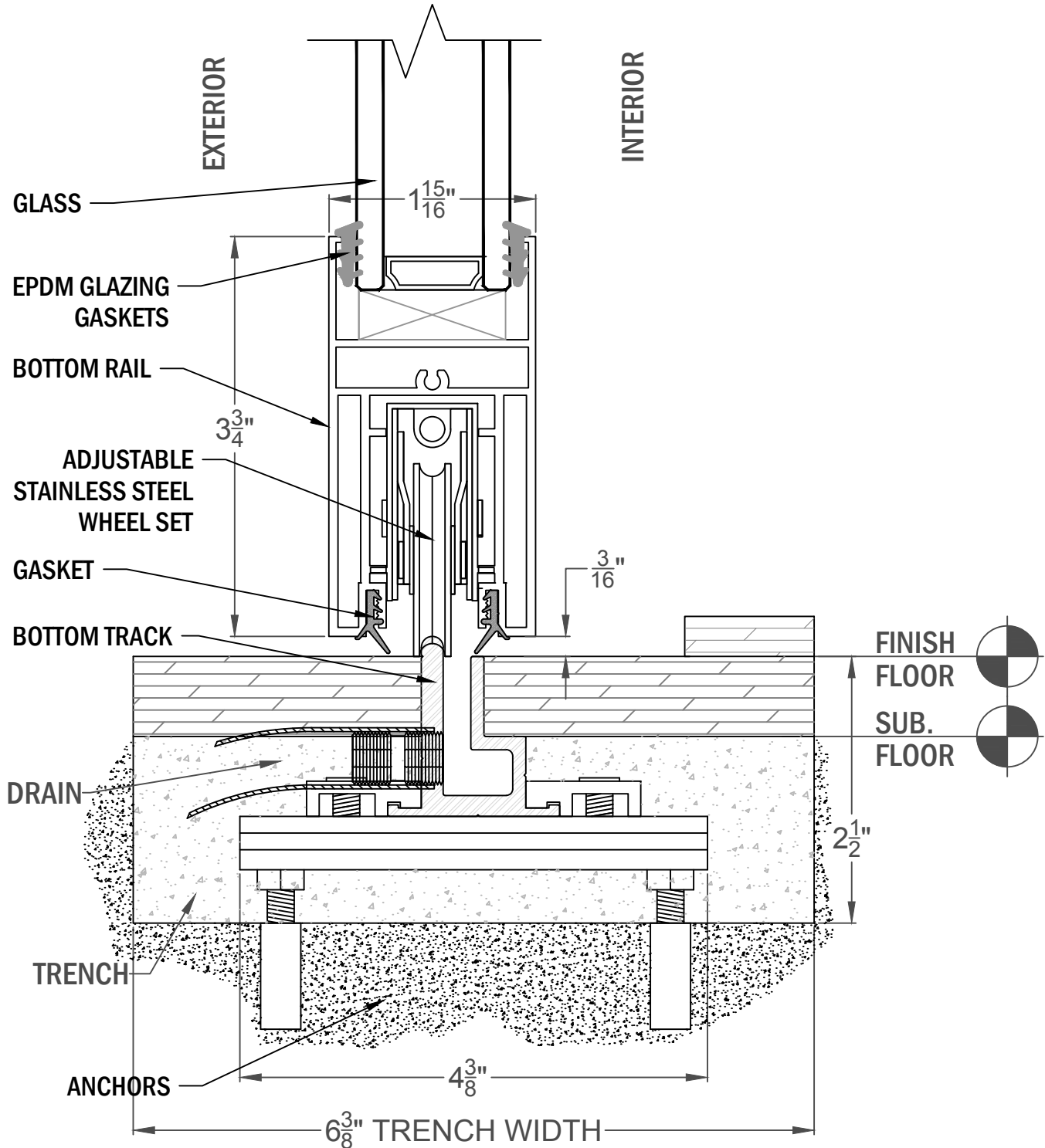
- 1 TRACK: 6 3/8"
- 2 TRACK: 8 7/8"
- 3 TRACK: 11 3/8"
- 4 TRACK: 13 7/8"
- 5 TRACK: 16 3/8"





RECOMMENDED TRENCH WIDTH

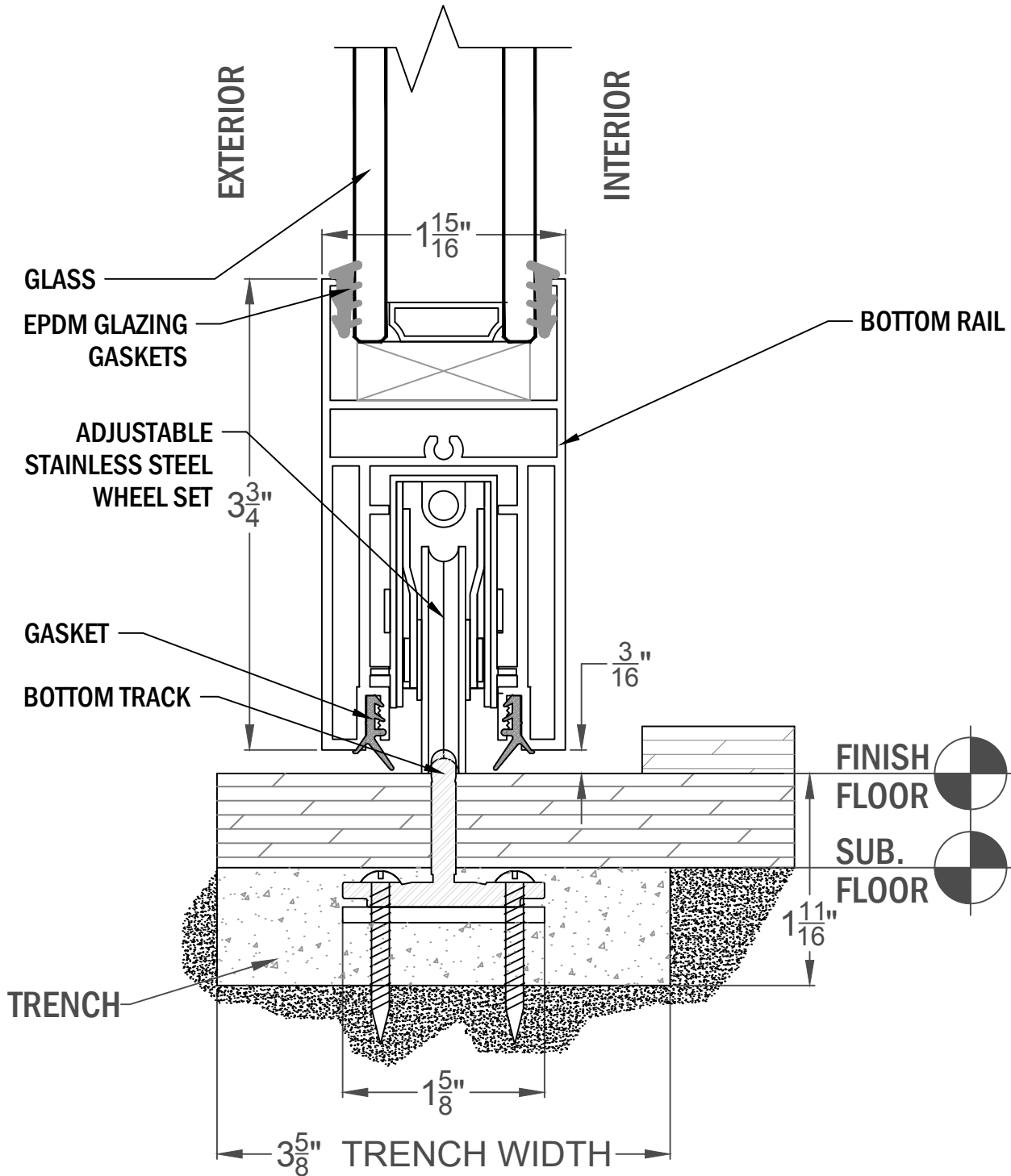
- 1 TRACK: 6 3/8"
- 2 TRACK: 8 7/8"
- 3 TRACK: 11 3/8"
- 4 TRACK: 13 7/8"
- 5 TRACK: 16 3/8"





RECOMMENDED TRENCH WIDTH

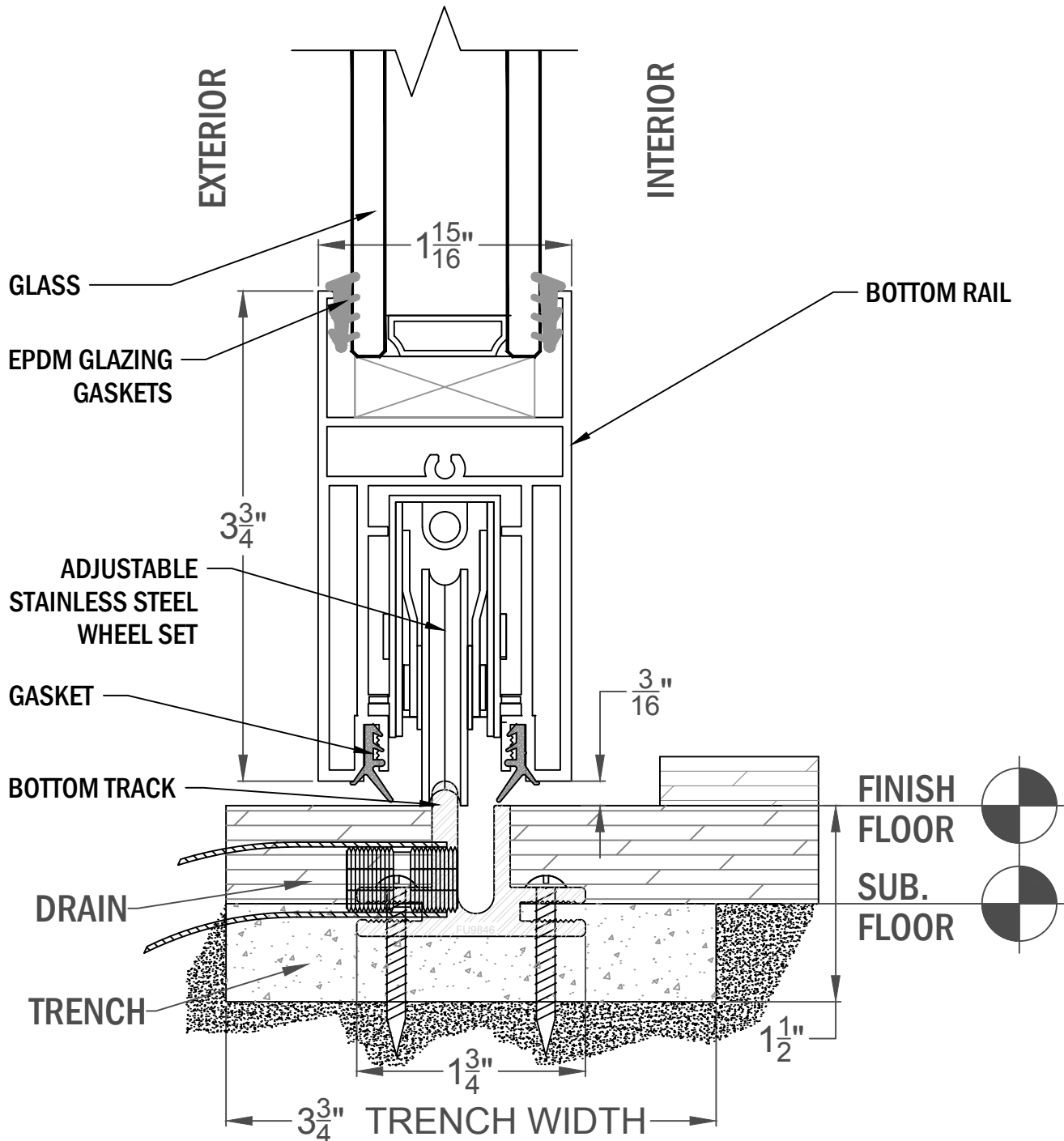
- 1 TRACK: 3 5/8"
- 2 TRACK: 6 1/8"
- 3 TRACK: 8 5/8"
- 4 TRACK: 11 1/8"
- 5 TRACK: 13 5/8"





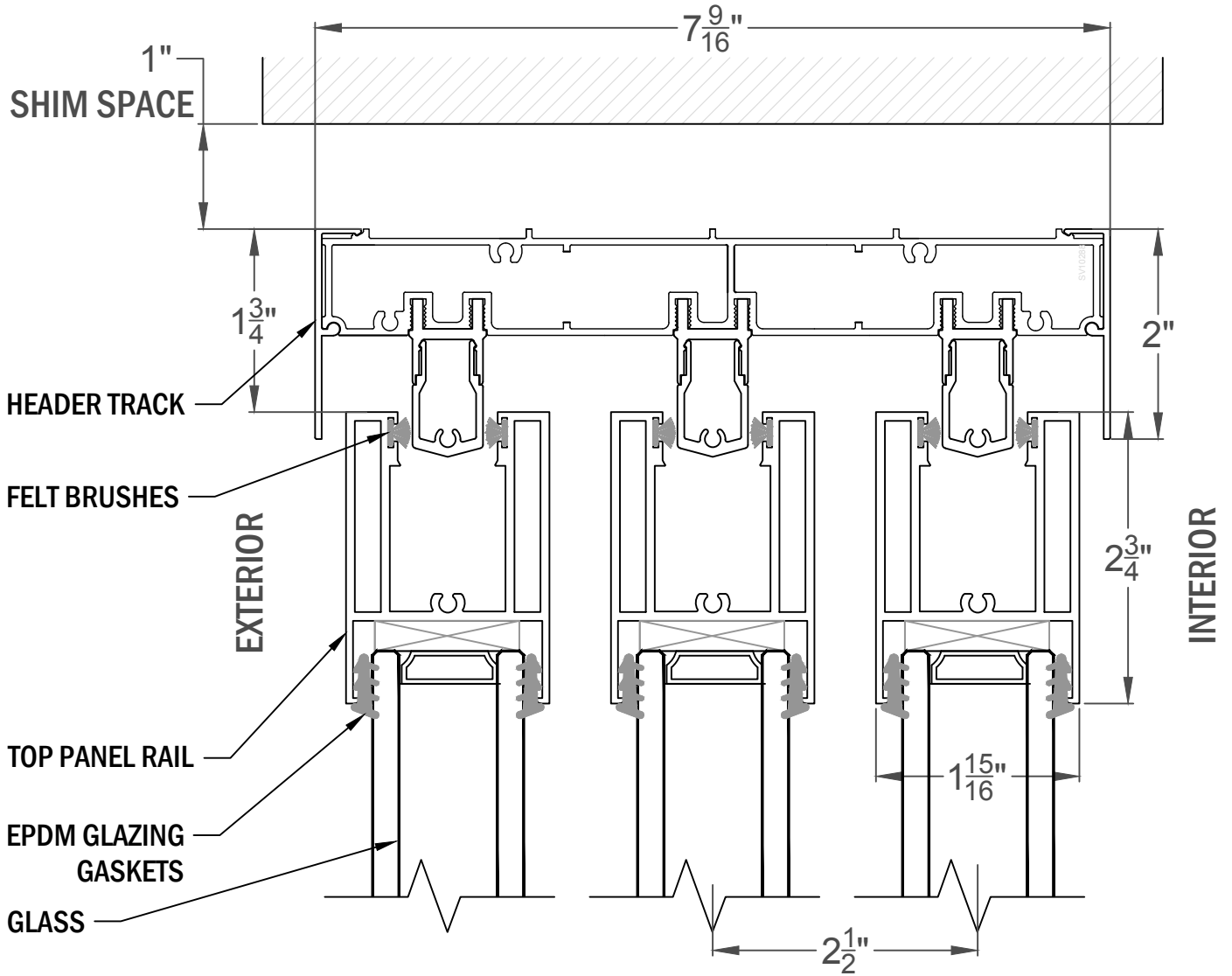
RECOMMENDED TRENCH WIDTH

- 1 TRACK: 3 3/4"
- 2 TRACK: 6 1/4"
- 3 TRACK: 8 3/4"
- 4 TRACK: 11 1/4"
- 5 TRACK: 13 3/4"





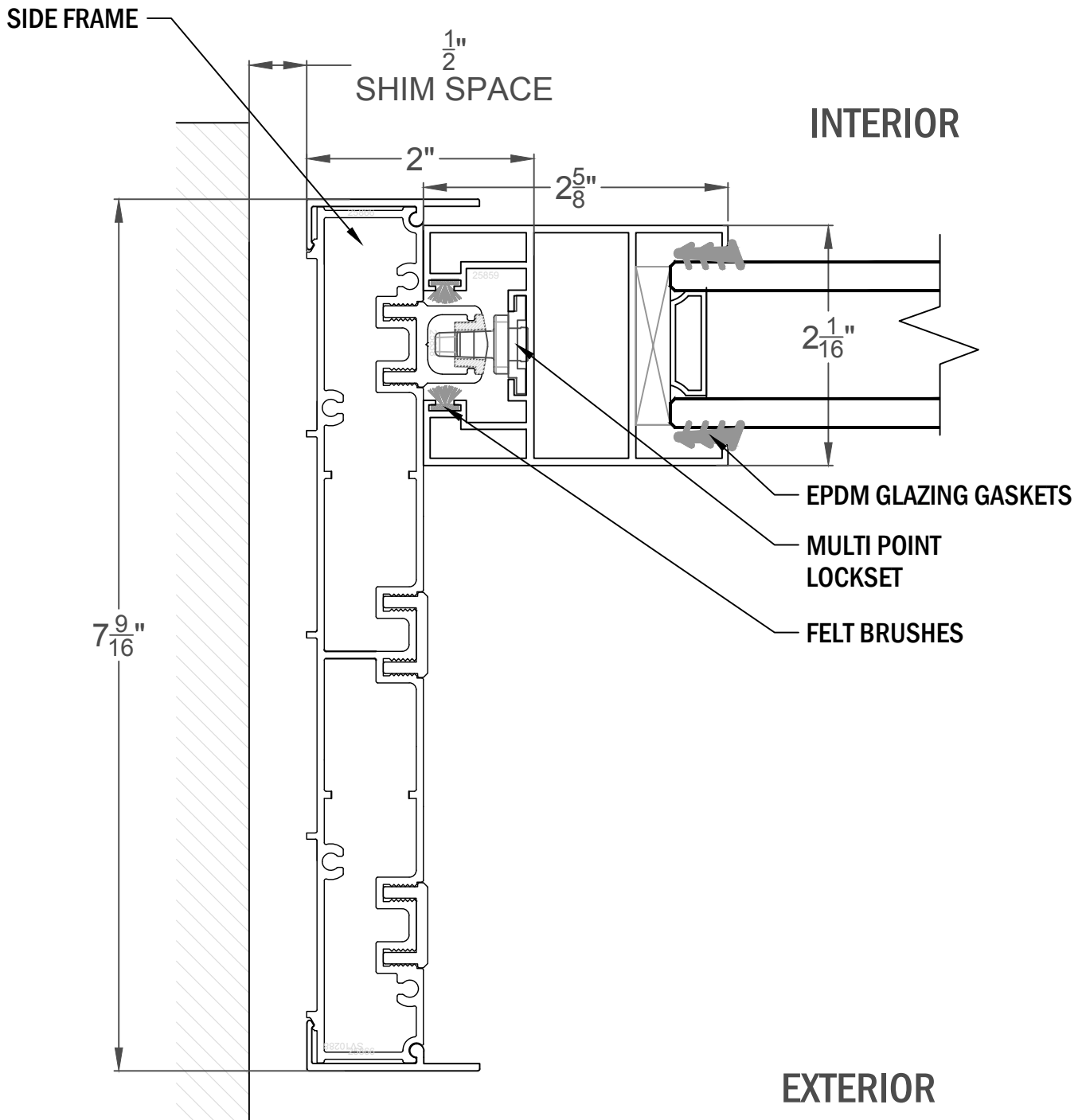
HEADER TRACK WIDTHS (APPROX)  
2 1/2" PER TRACK

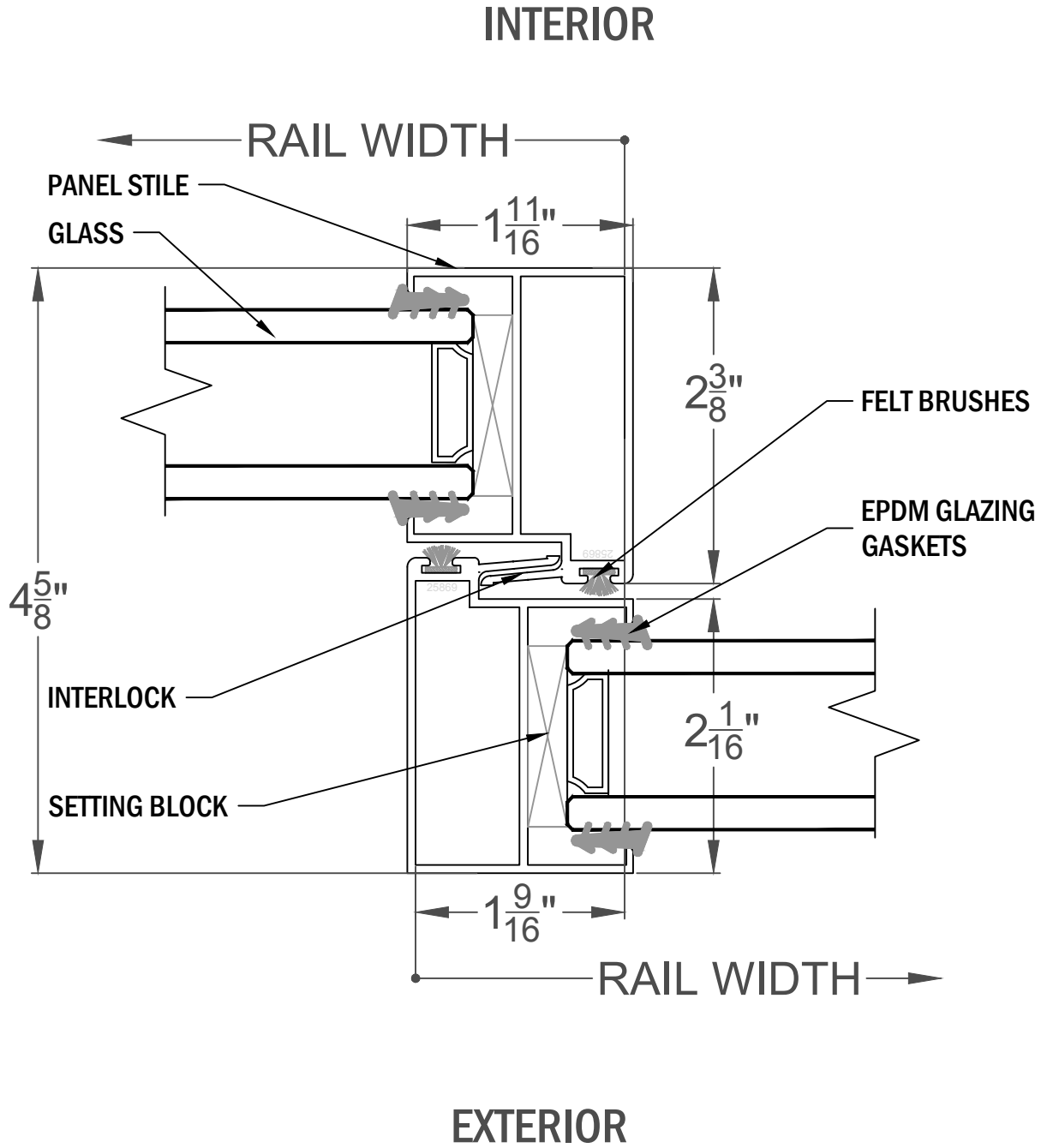


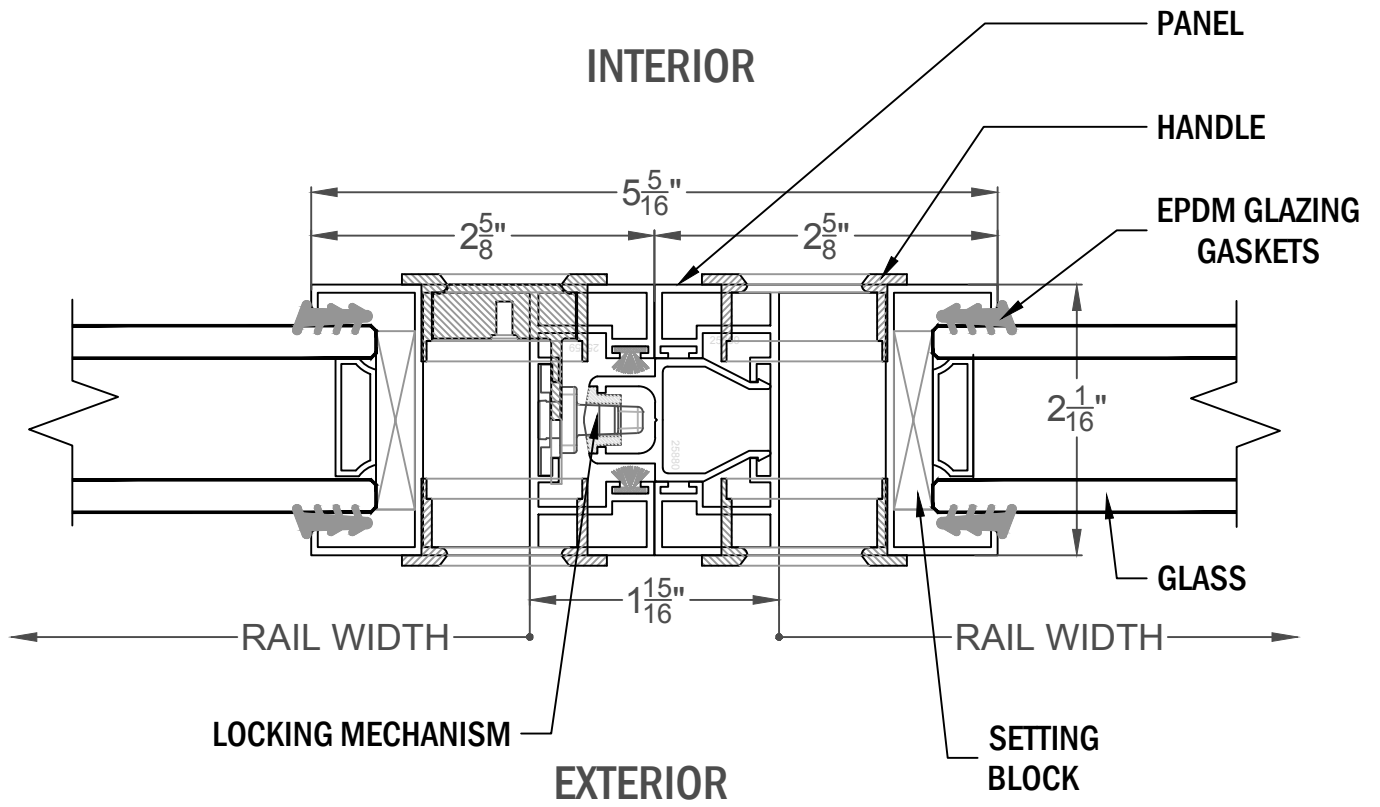




**SIDE FRAME WIDTHS (APPROX)**  
**2 1/2" PER TRACK**









**RECOMMENDED POCKET WIDTH:**

- 1 PANEL: 2 <sup>7</sup>/<sub>8</sub>" WIDE
- 2 PANELS: 5 <sup>7</sup>/<sub>16</sub>" WIDE
- 3 PANELS: 7 <sup>15</sup>/<sub>16</sub>" WIDE
- 4 PANELS: 10 <sup>1</sup>/<sub>2</sub>" WIDE
- 5 PANELS: 13" WIDE

