



Panda thermally broken aluminum windows are designed to meet the needs of a wide variety of projects. From luxury custom homes and condominiums to world class resorts ,and hotels their sleek European design offers a contemporary look for the modern age.

System:

the system contains $1\frac{5}{16}$ " polyamide thermal break bars which form a closed frame between the top track, bottom track and side profiles. this system provides a superior thermal insulation and U-factor over the standard all aluminum window system.

Profiles:

Panda thermally broken all aluminum windows are made of 6063-T5 extruded aluminum and can be finished in either powder coat (standard), Kynar or anodize.

Operation:

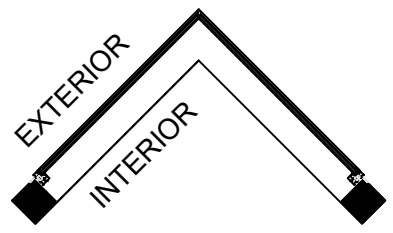
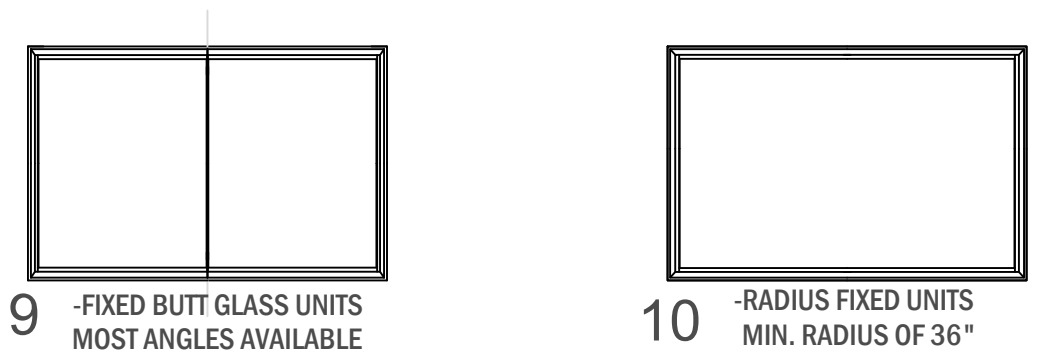
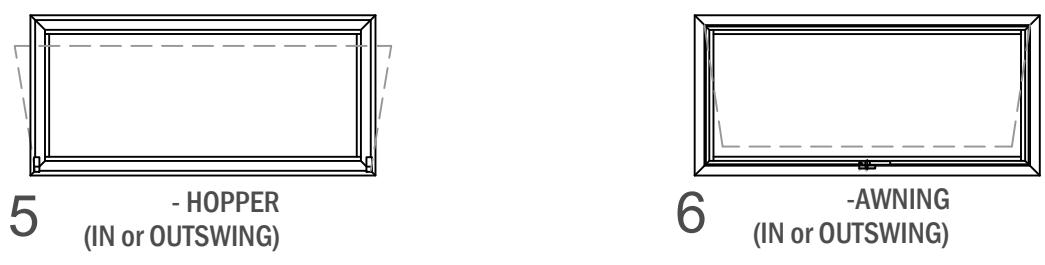
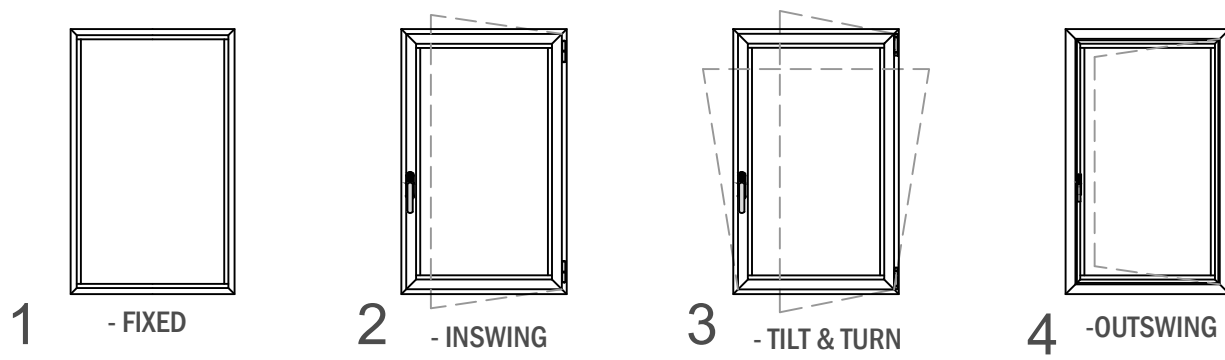
These European style windows are available with tilt and turn(inswing), Casement (inswing or outswing), Awning, hopper and fixed operation. For sliding operation refer to the 9000 series slider. Also available in angled (e.g. 90 degree and 45 degree) and radius configurations (3 foot minimum radius). these operations can be combined to create multi-operational window sets.

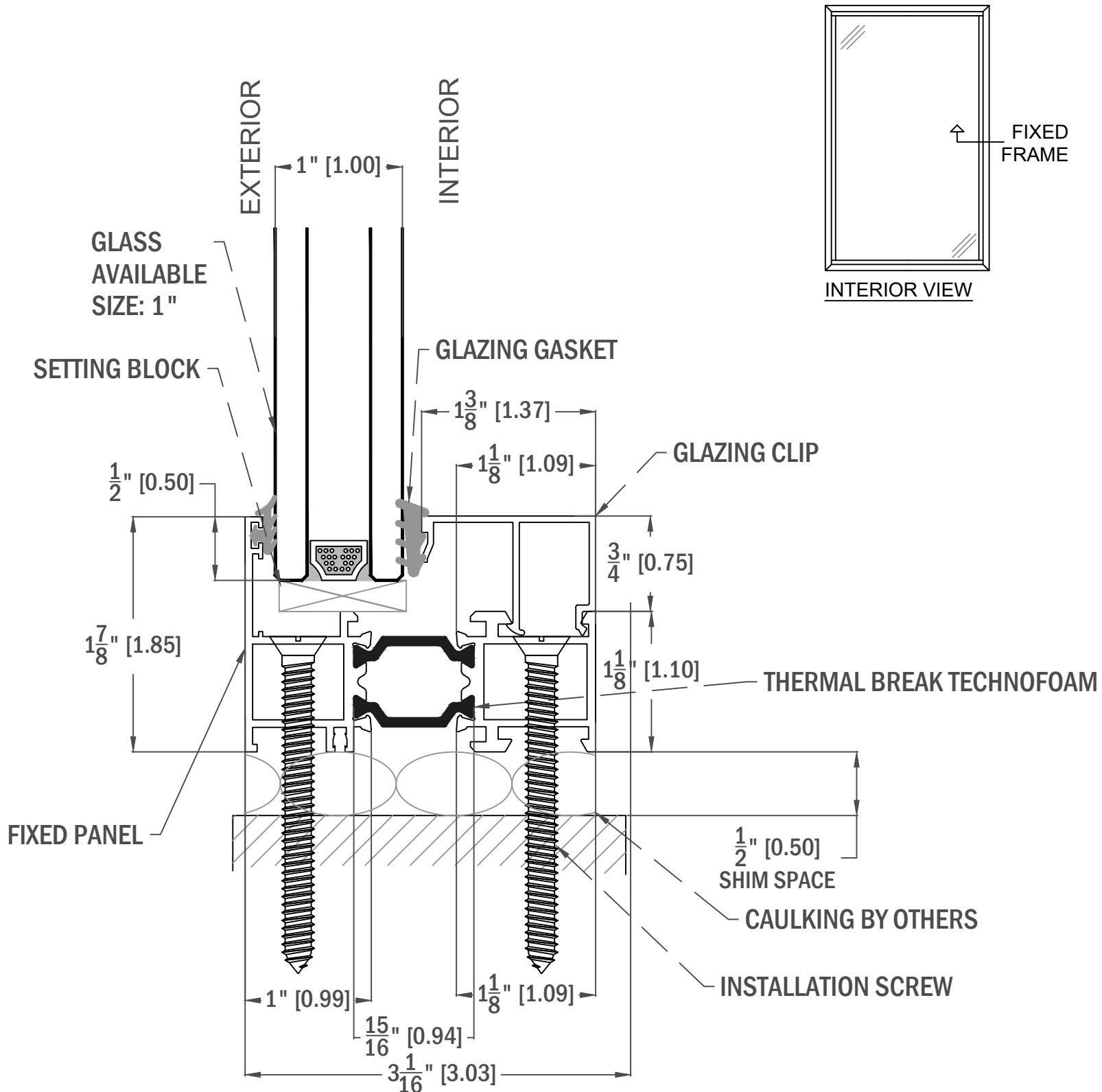
Glazing:

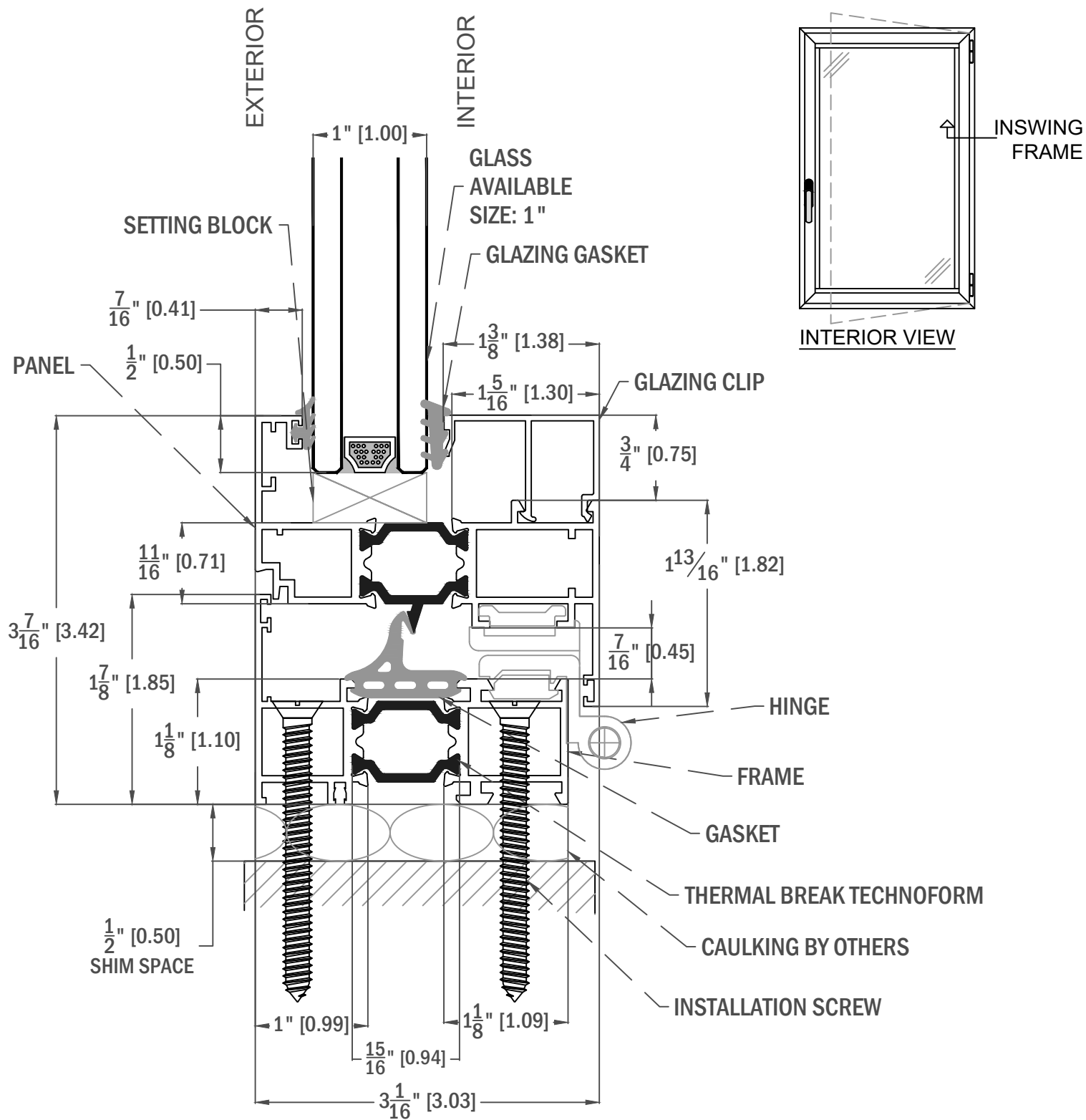
Almost any type of glass is available upon request, from the standard Clear Low-E tempered 1" IG to single pane butt Glazed to laminated impact glass. these windows have the flexibility to meet the needs of each unique project

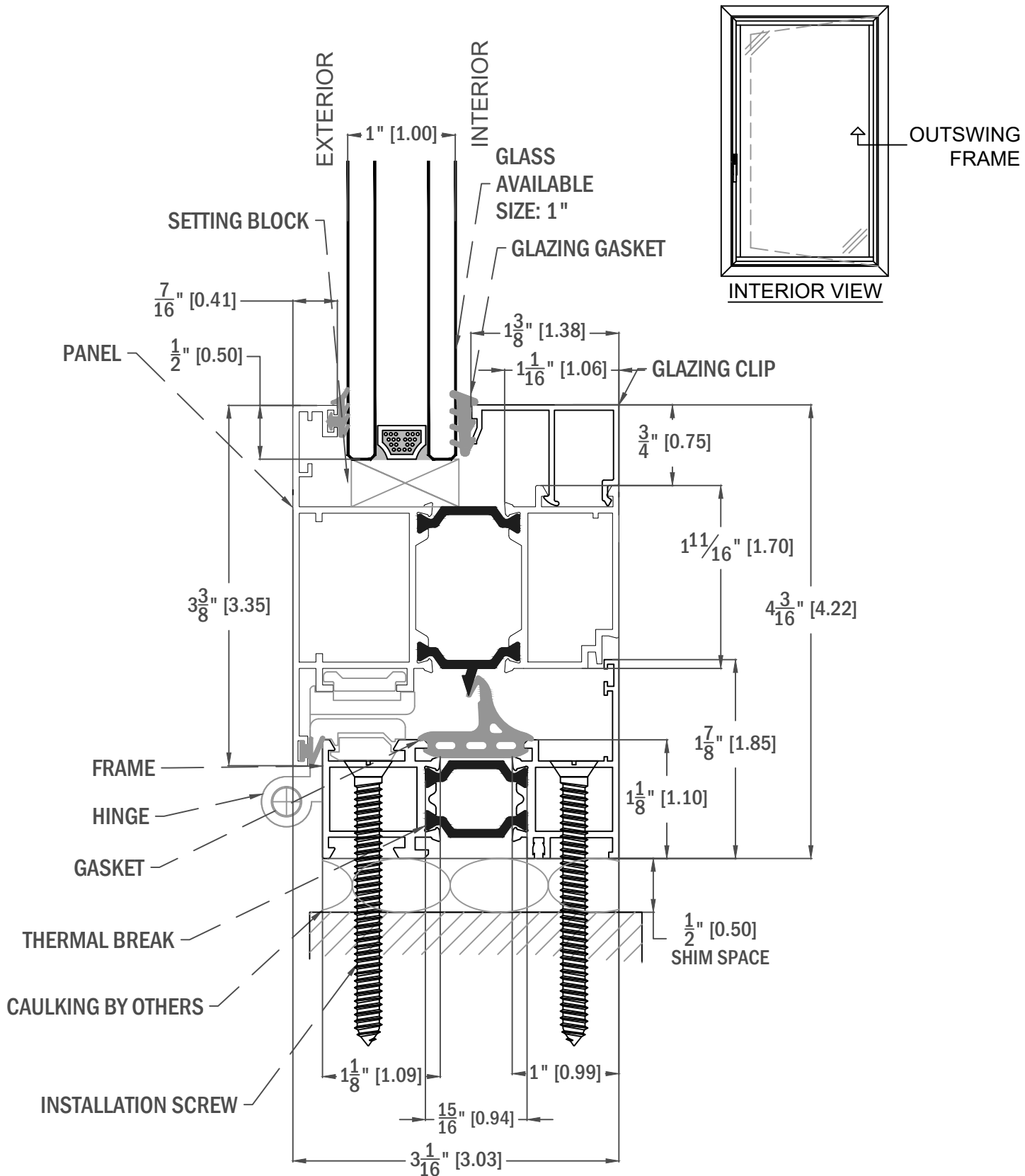
Security:

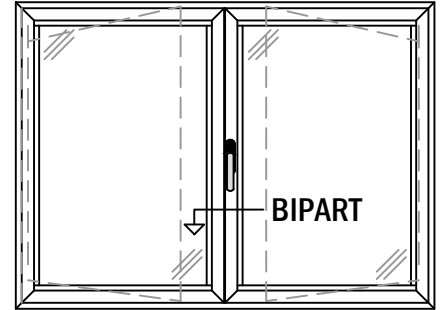
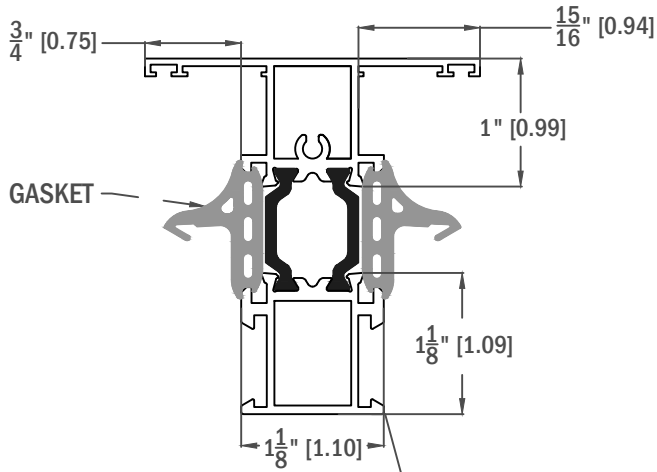
All operating windows have a stainless steel multi-point locking system standard for increased security over a single-point locking mechanism. the Tilt & Turn windows offers ventilation when in the Tilt position, While still providing intruder resistance.



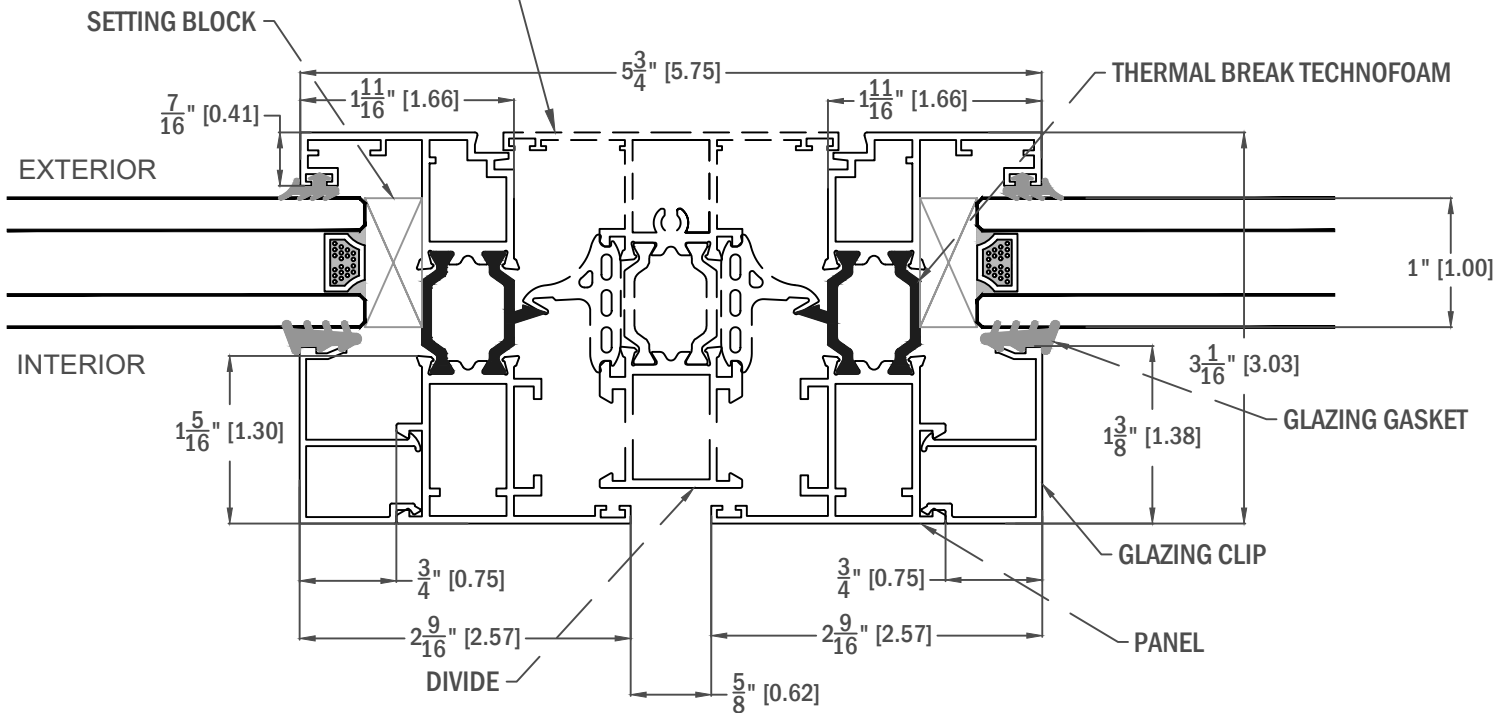


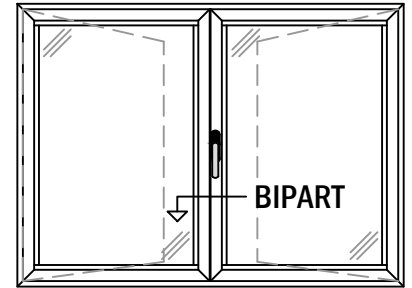
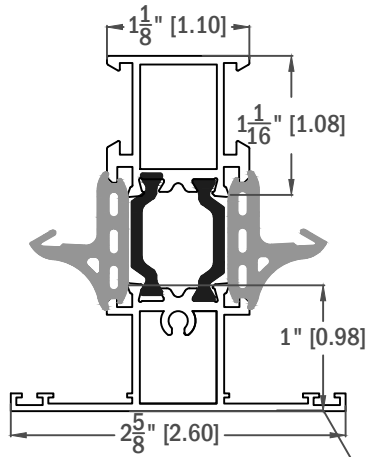






INTERIOR VIEW





INTERIOR VIEW

