



Panda all aluminum windows are designed to meet the needs of a wide variety of projects. From luxury custom homes and condominiums to world class resorts and hotels their sleek European design offers a contemporary look for the modern age.

PROFILES:

Panda aluminum windows have 2 profile options; narrow and wide. Both profiles are made of 6063-T5 extruded aluminum and can be finished in either powder coat (standard), Kynar or anodize.

OPERATION:

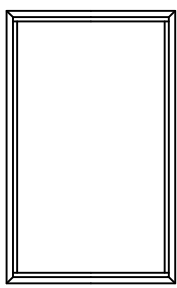
These European style windows are available with Tilt & Turn (inswing), Casement (inswing or outswing), Awning, Hopper and Fixed operations. Also available in angled (e.g. 90 degree and 45 degree) and radius configurations (3 foot minimum radius).

GLAZING:

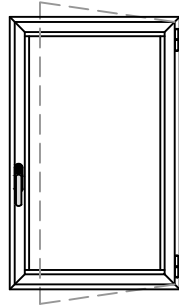
Almost any type of glass is available upon request, from the standard Clear Low-E Tempered 1" IG to single pane, Butt Glazed to laminated impact glass. These windows have the flexibility to meet the needs of each unique project.

SECURITY:

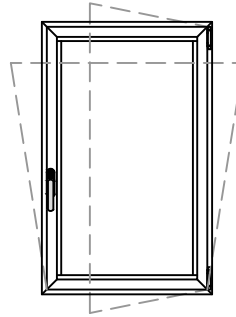
All operating windows have a stainless steel multi-point locking system standard for increased security over a single point locking mechanism. The Tilt & Turn window offers ventilation when in the Tilt position while sill providing intruder resistance.



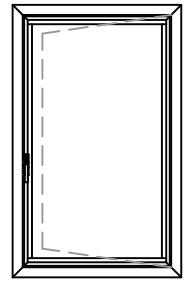
1 - FIXED



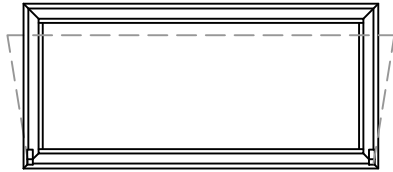
2 - INSWING



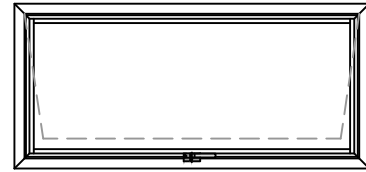
3 - TILT & TURN



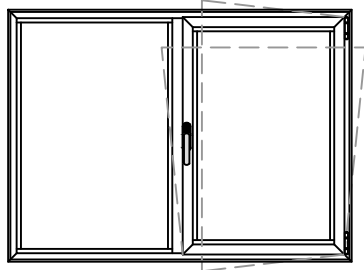
4 - OUTSWING



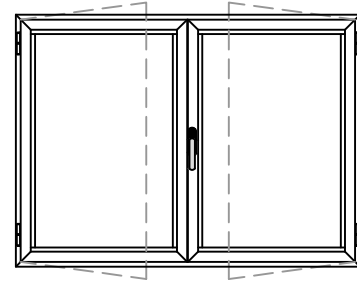
5 - HOPPER
(IN or OUTSWING)



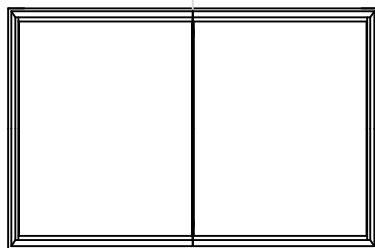
6 - AWNING
(IN or OUTSWING)



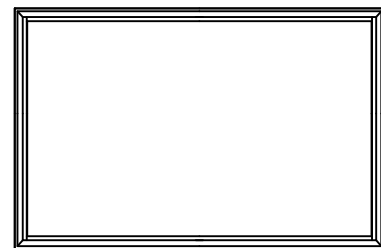
7 - FIX WITH OPERABLE



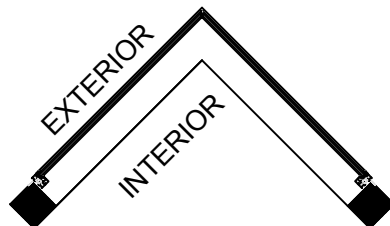
8 - DOUBLE OPERABLE

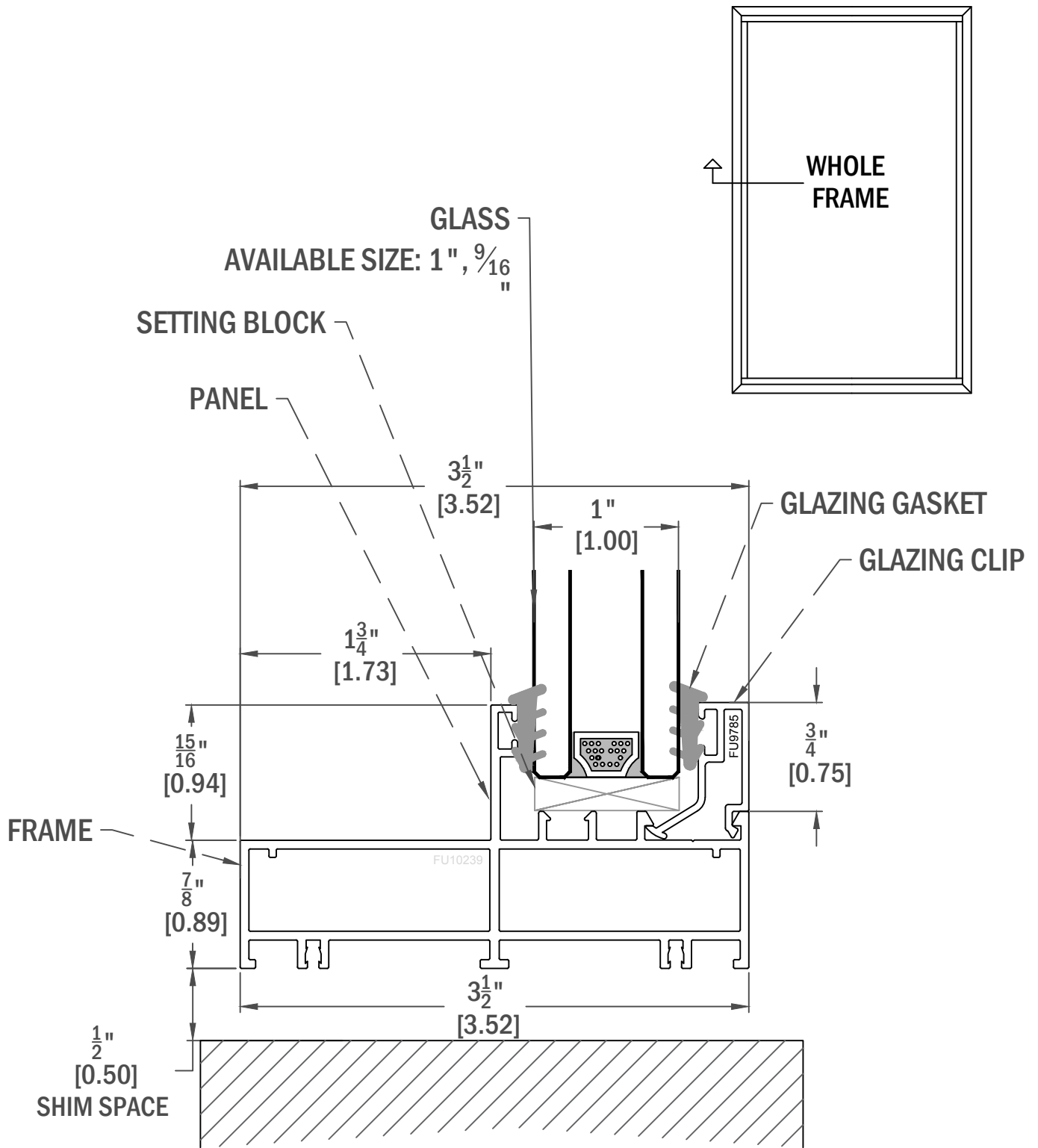


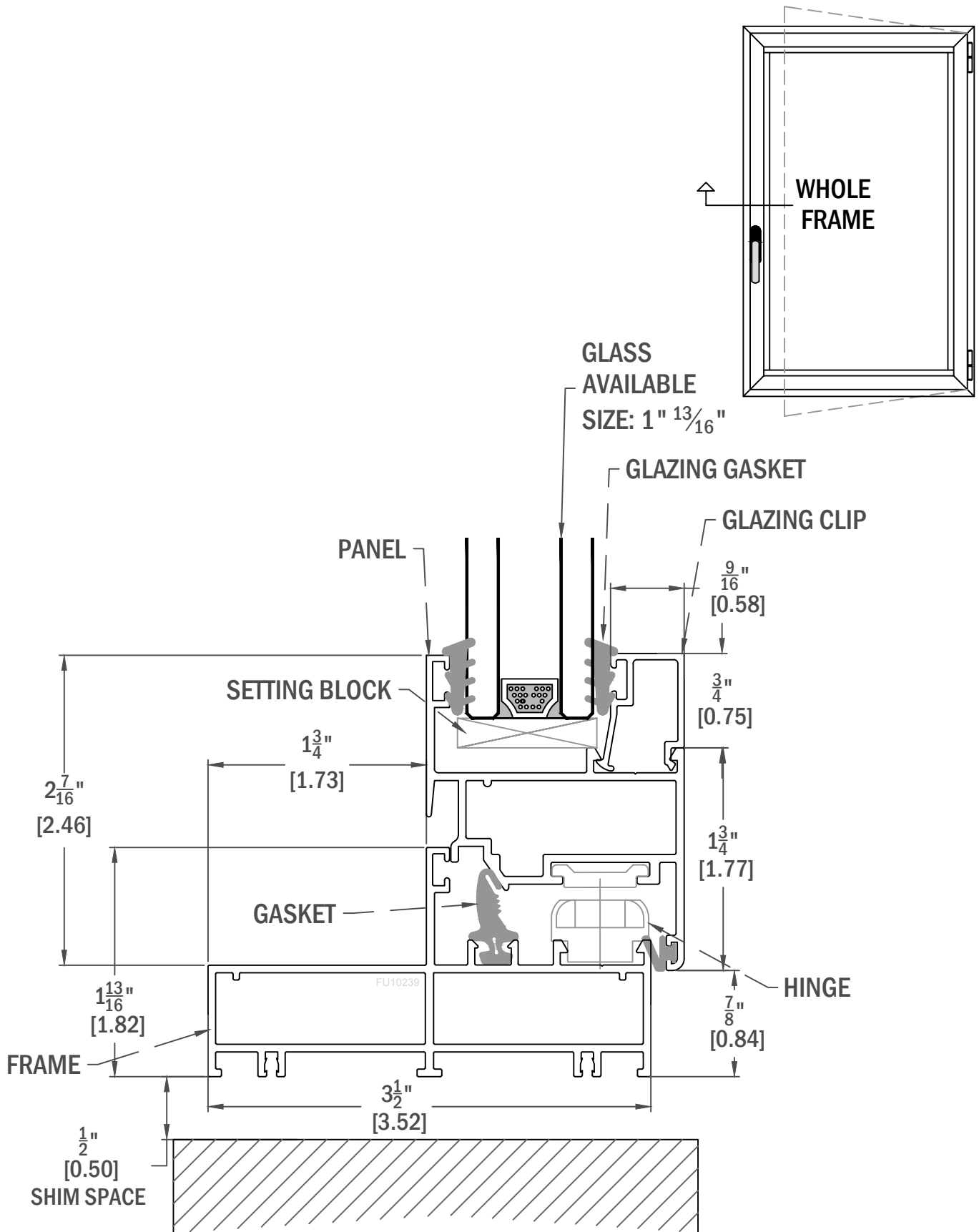
9 - FIXED BUTT GLASS UNITS
MOST ANGLES AVAILABLE

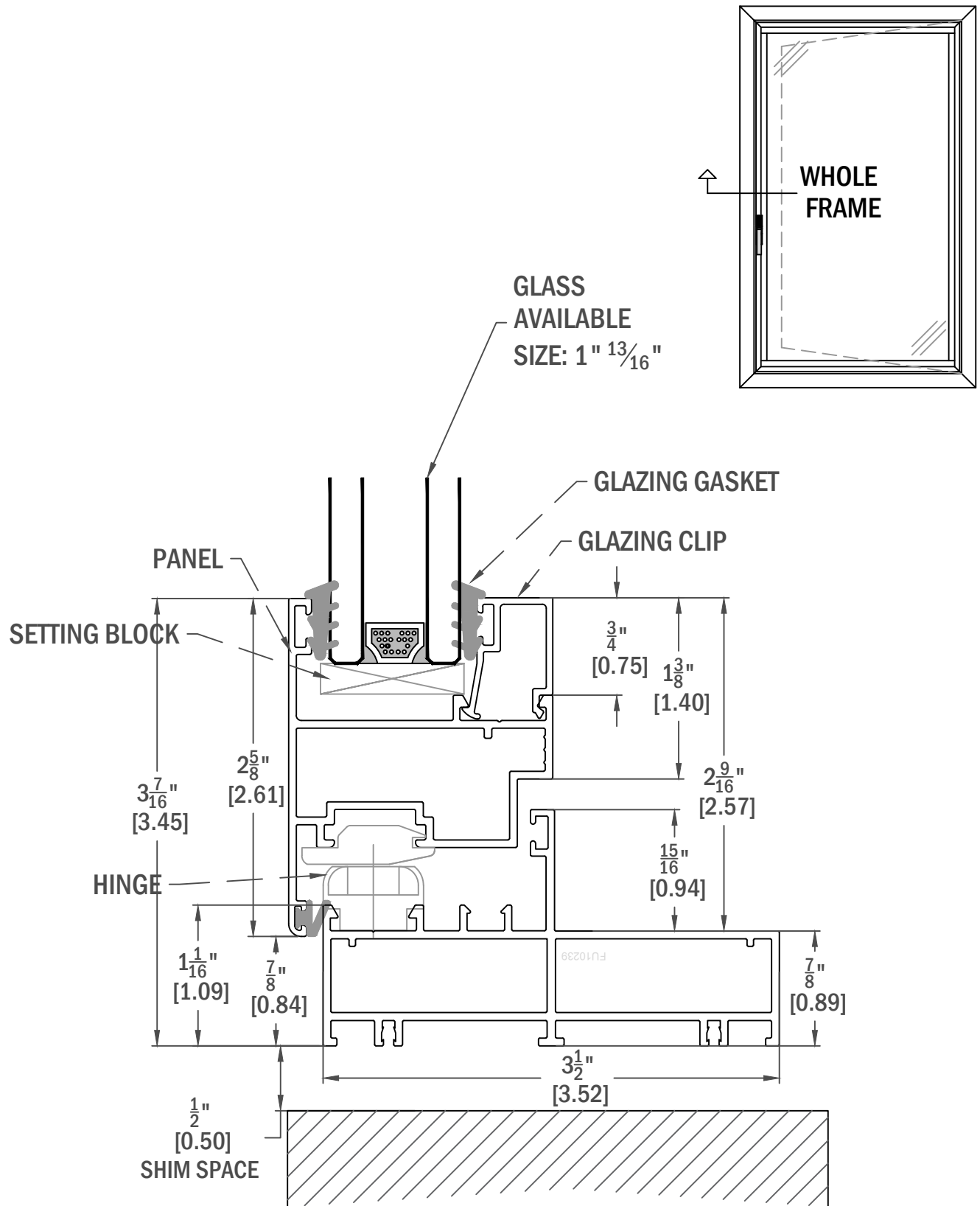


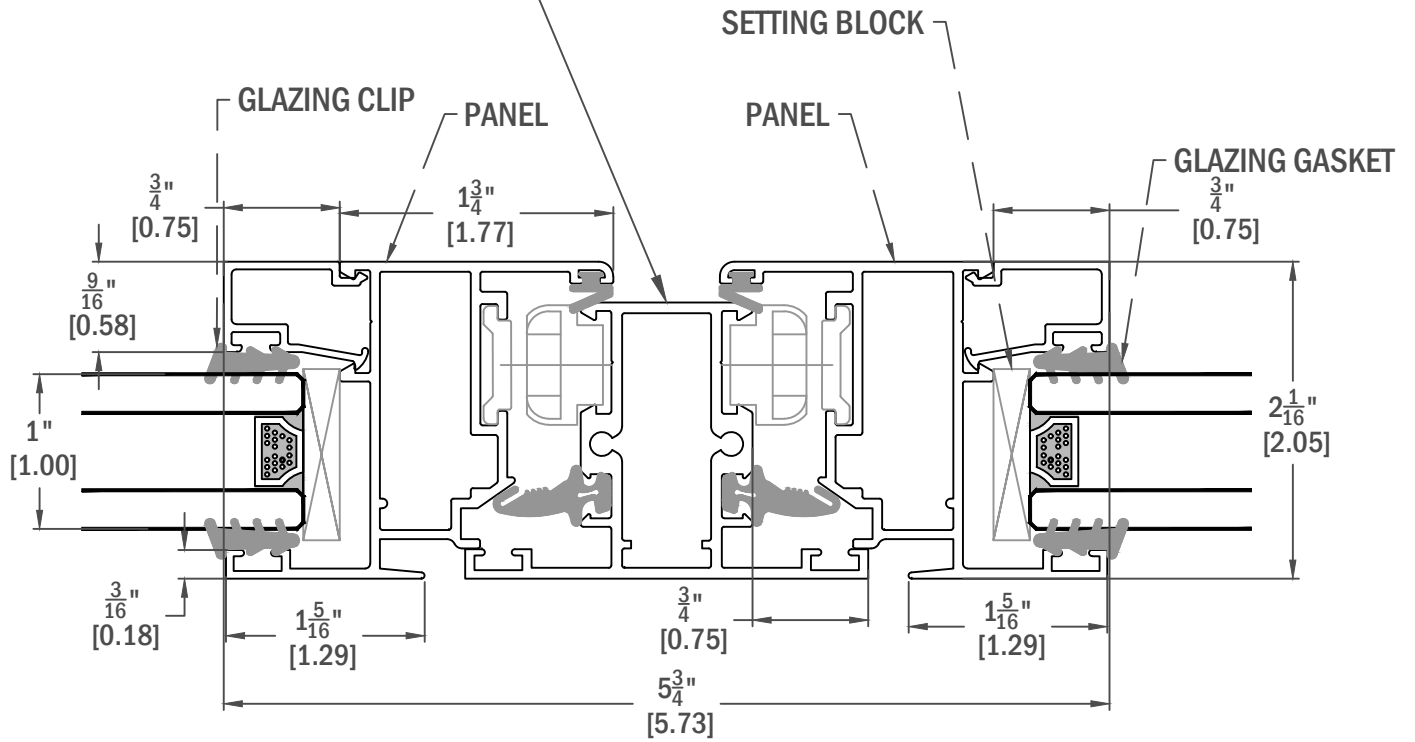
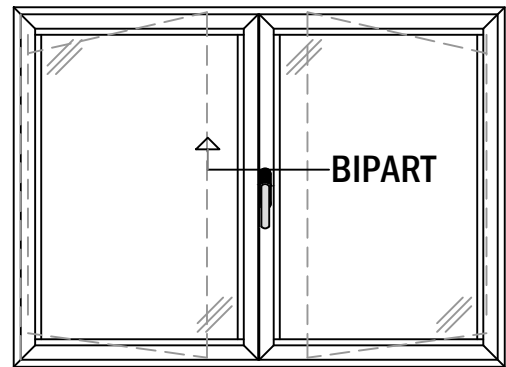
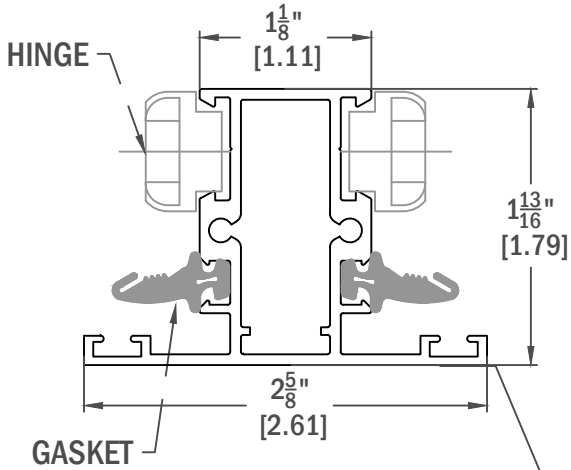
10 - RADIUS FIXED UNITS
MIN. RADIUS OF 36"



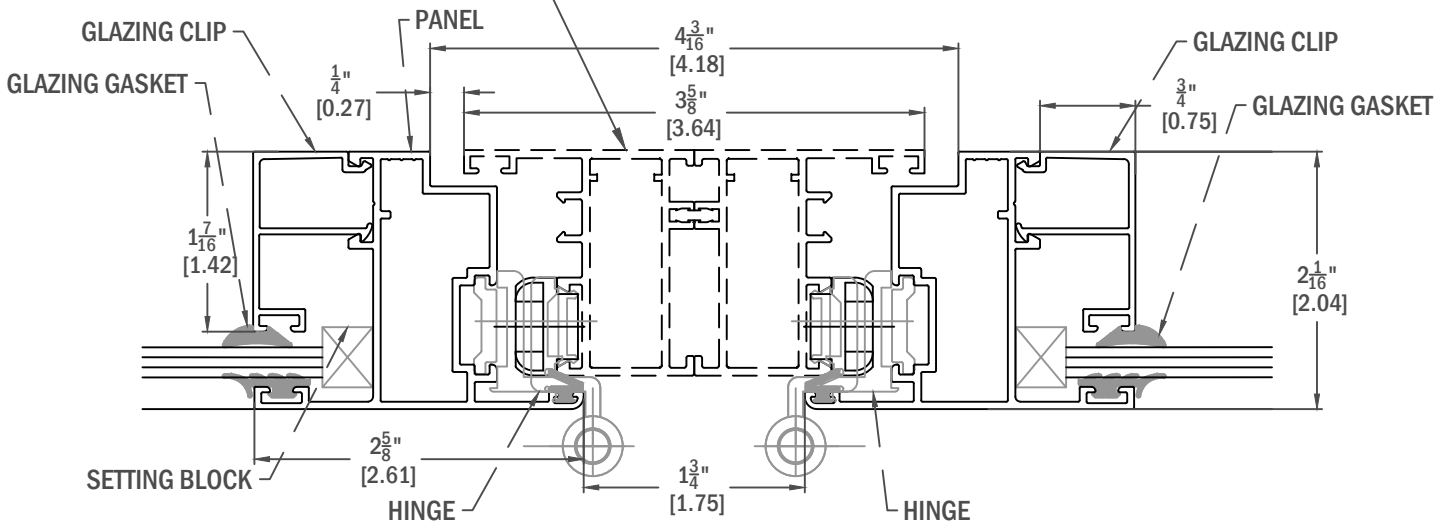
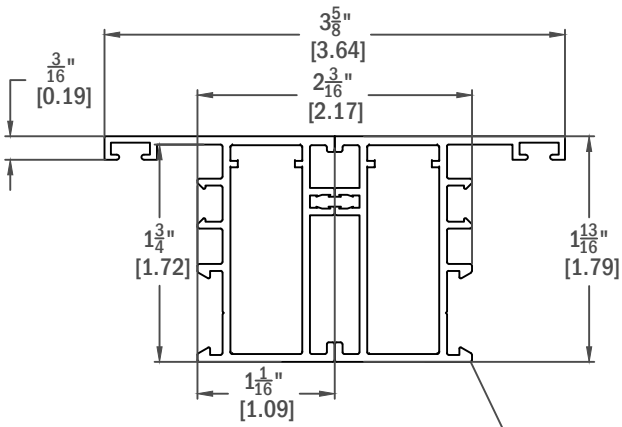
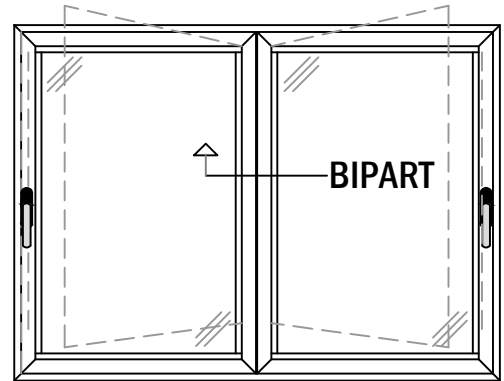


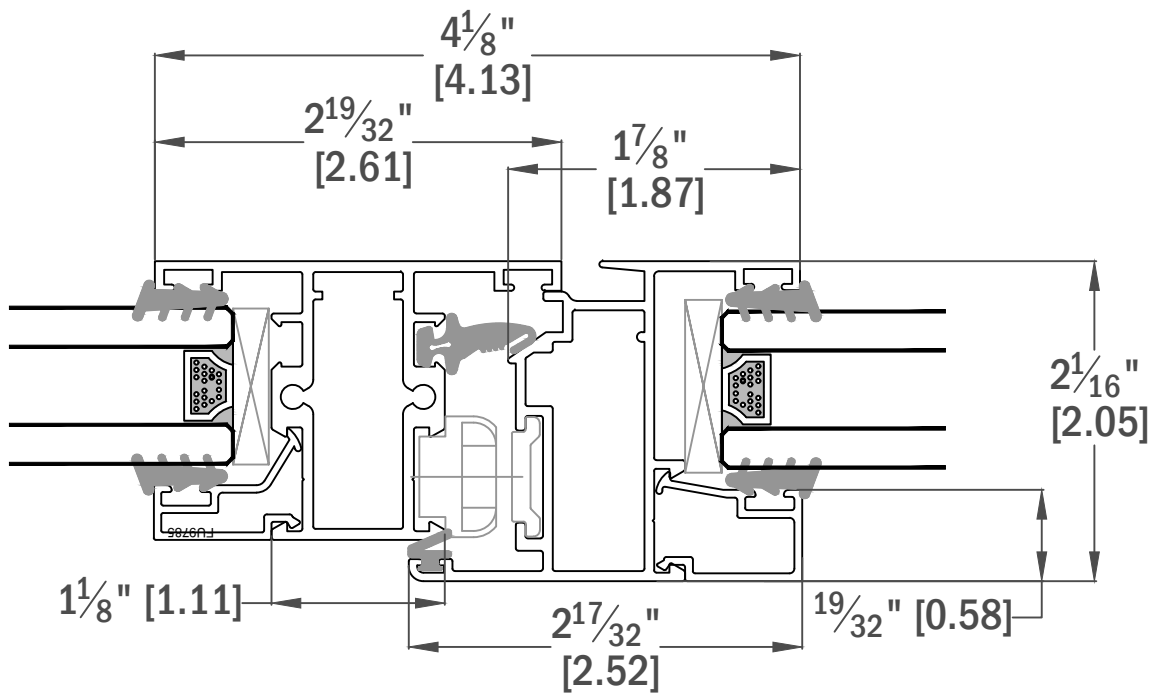
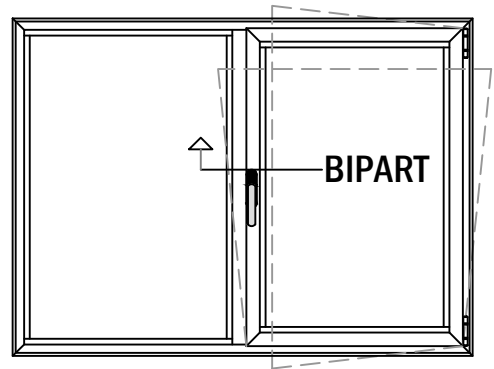


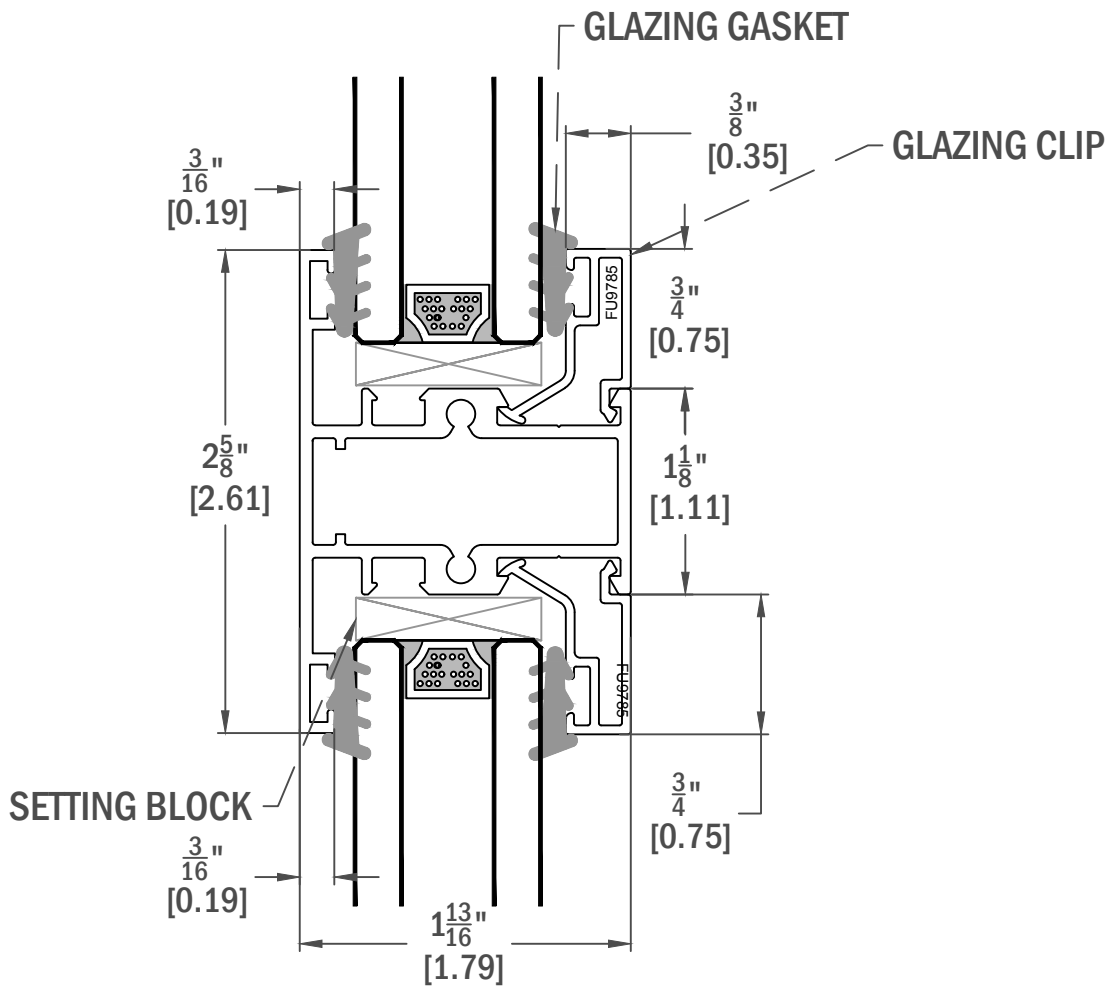
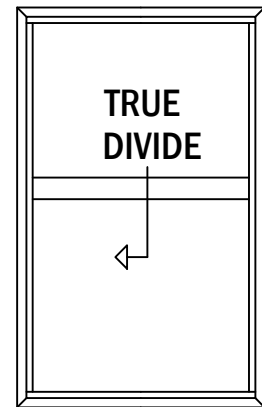


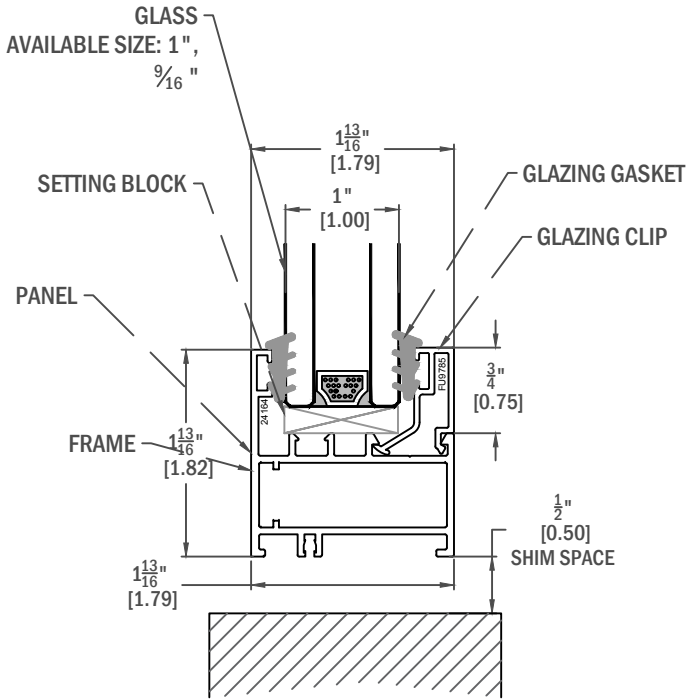


S45 AA BIPART OUTSWING

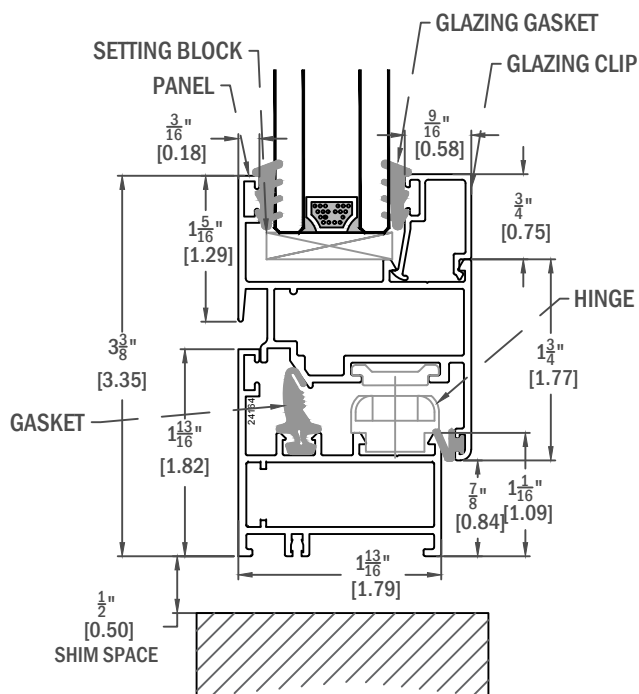




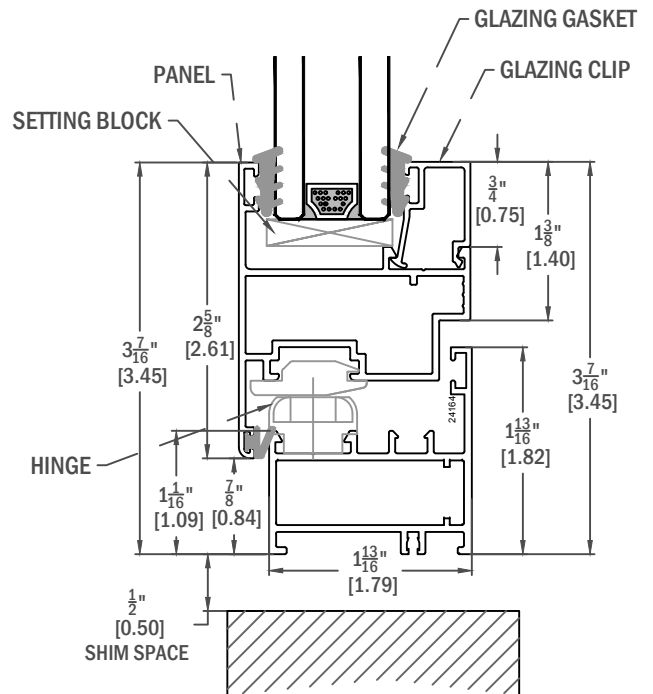




A SMALL FIXED FRAME



B SMALL FRAME INSWING



C SMALL FRAME OUTSWING