

**Profiles:**

Profiles are manufactured from 6063-T5 extruded aluminum with a wall thickness of up to 1/8" allowing for oversized panels. The door systems are available with either powder coat, Kynar or anodized finishes in virtually any color the customer chooses.

Tracking:

There are five types of tracks available to accommodate any flooring conditions, allowing for an almost seamless look with only 3/16" protrusion above the finished floor. All weight is carried on the bottom track, the top track serves as a guide.

Configurations:

These systems can accommodate up to 5 panel per unit.

Hardware:

The wheel carriages are comprised of stainless steel wheels and have a corrosion resistant treatment applied for high performance in coastal regions. Each wheel carriage can support up to 550 lbs . The operating mechanism includes a multi-point lock with a flush handle. The entire door system has specially designed EPDM gaskets to create a totally closed, weather tight system.

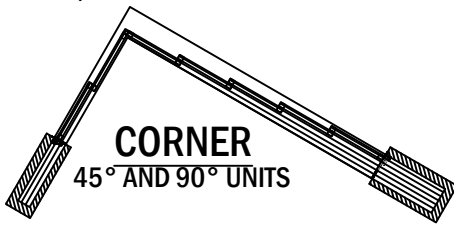
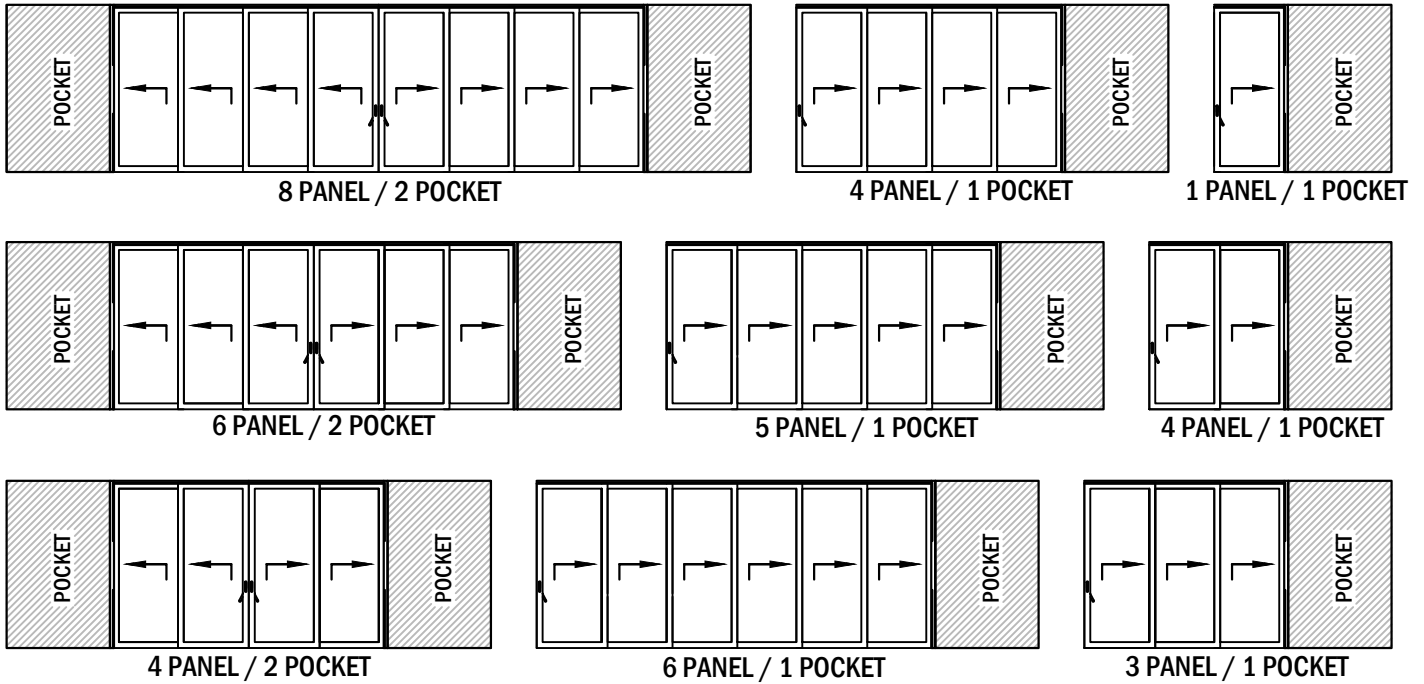
Weight:

Each panel weighs approximately 7 to 8 lbs per sq ft depending on overall panel size and glass configuration.

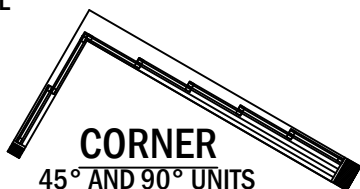
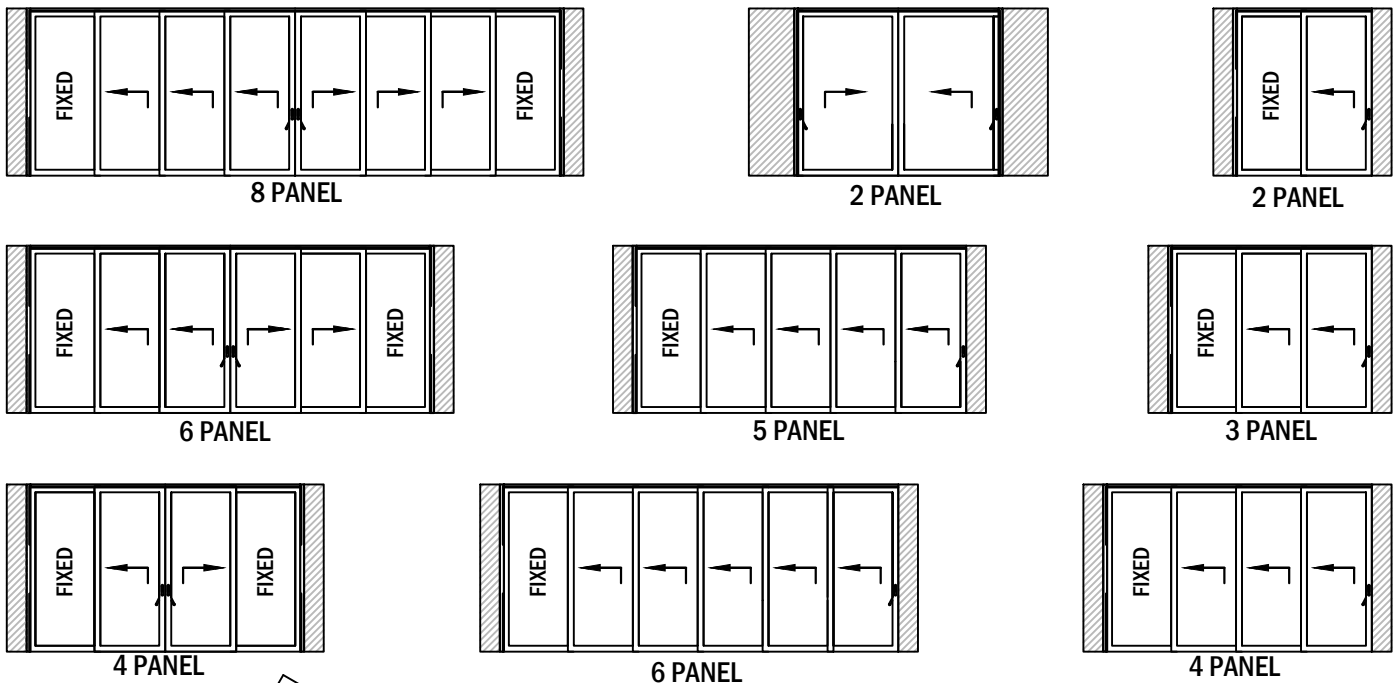
LTS31 AW PROFILE:**WIDTH:** 2 $\frac{3}{8}$ "**HEIGHT:** 3 $\frac{3}{16}$ "**GLASS THICKNESS:****1" AND 1 $\frac{3}{8}$ "****LTS31 AW MAX PANEL SIZE:****WIDTH:** 5'-0"**HEIGHT:** 10'-0"



PANEL CONFIGURATION WITH POCKETS (SYSTEM CAN STACK LEFT AND/OR RIGHT)

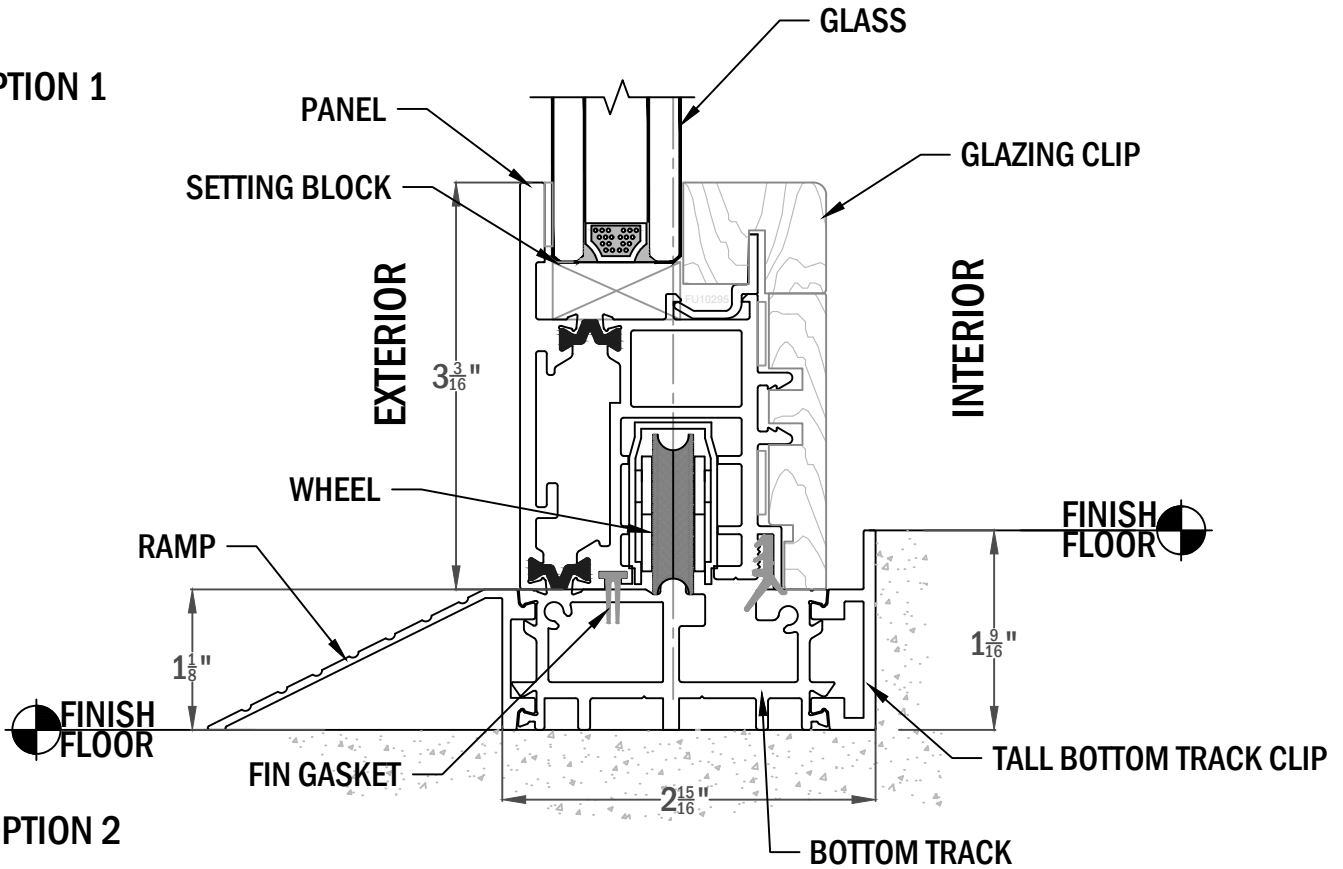


PANEL CONFIGURATION WITH FIXED PANEL (SYSTEM CAN STACK LEFT AND/OR RIGHT)

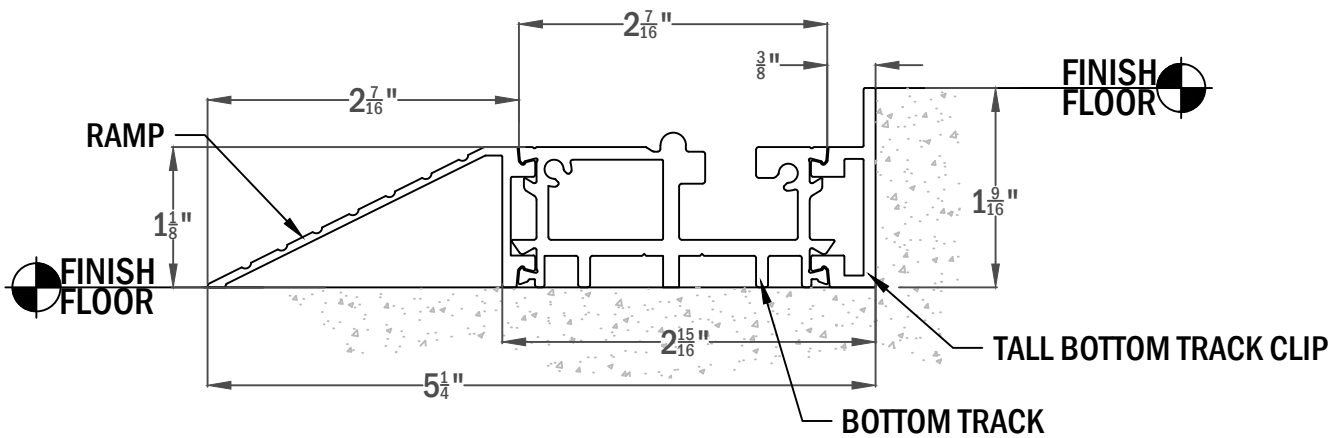




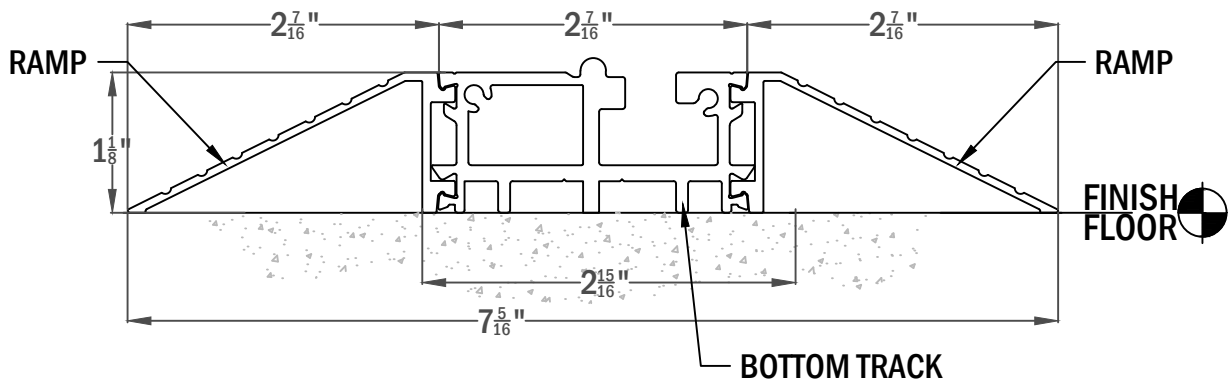
OPTION 1



OPTION 2

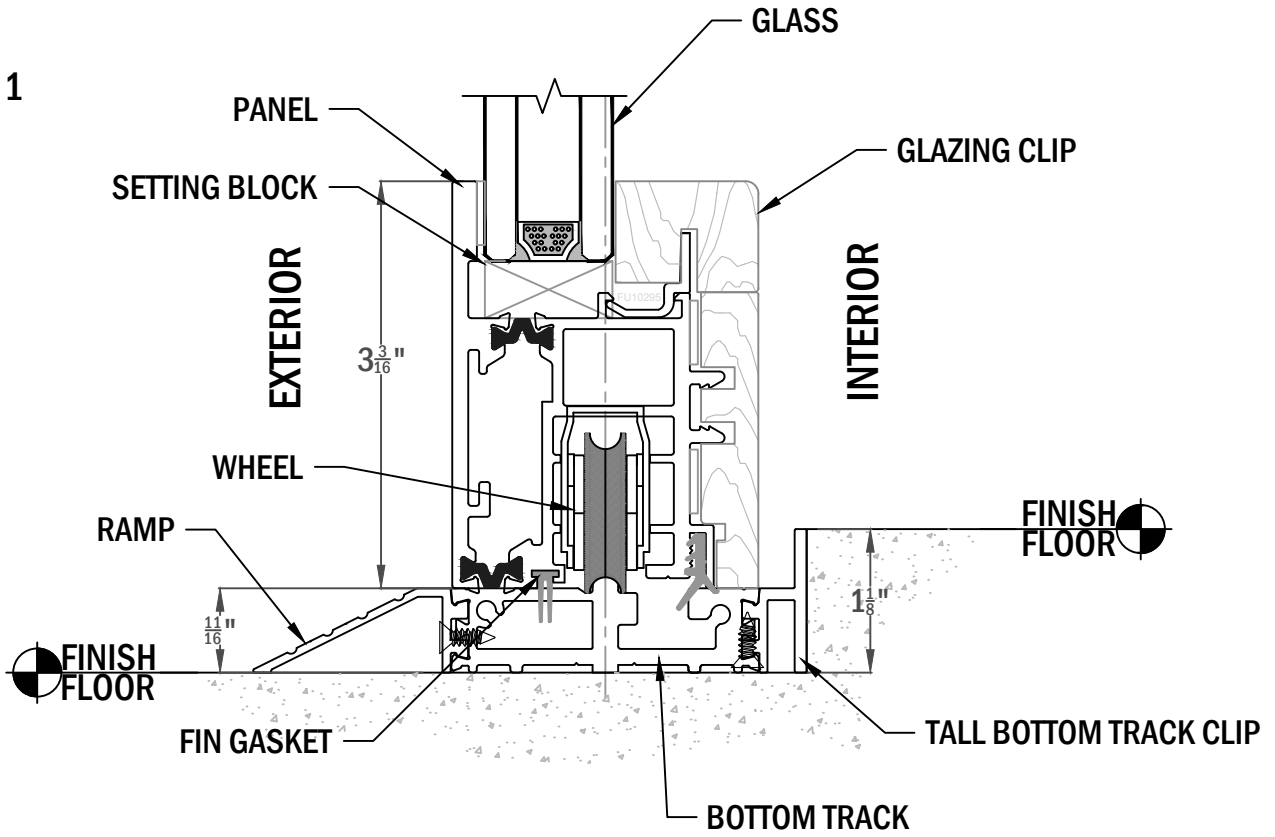


OPTION 3

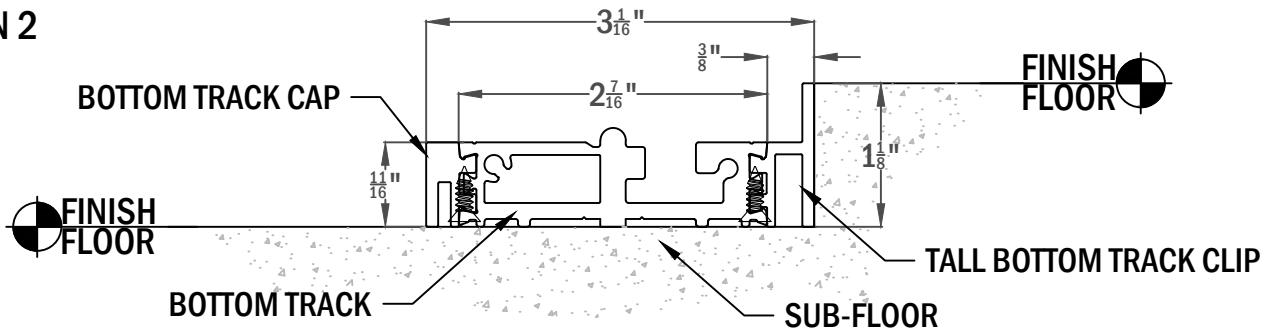




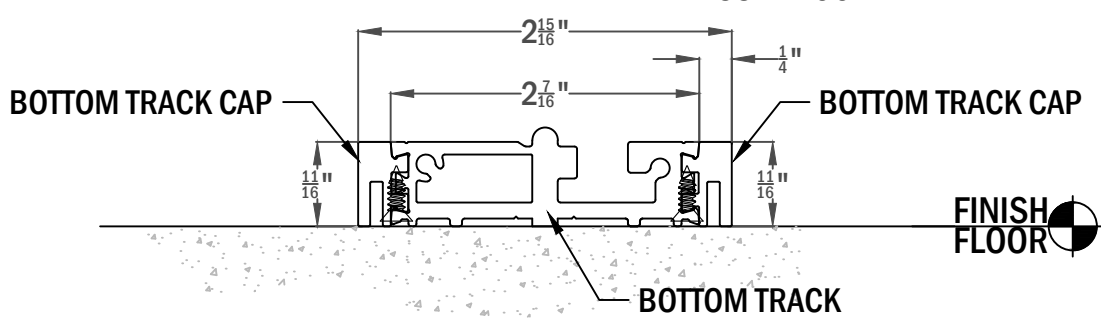
OPTION 1



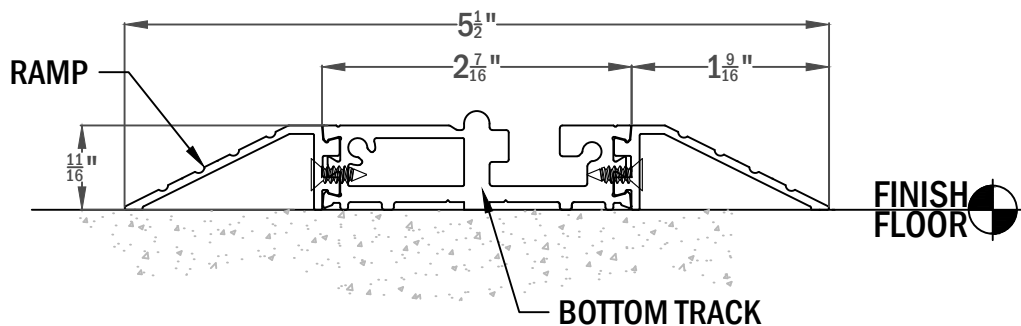
OPTION 2



OPTION 3



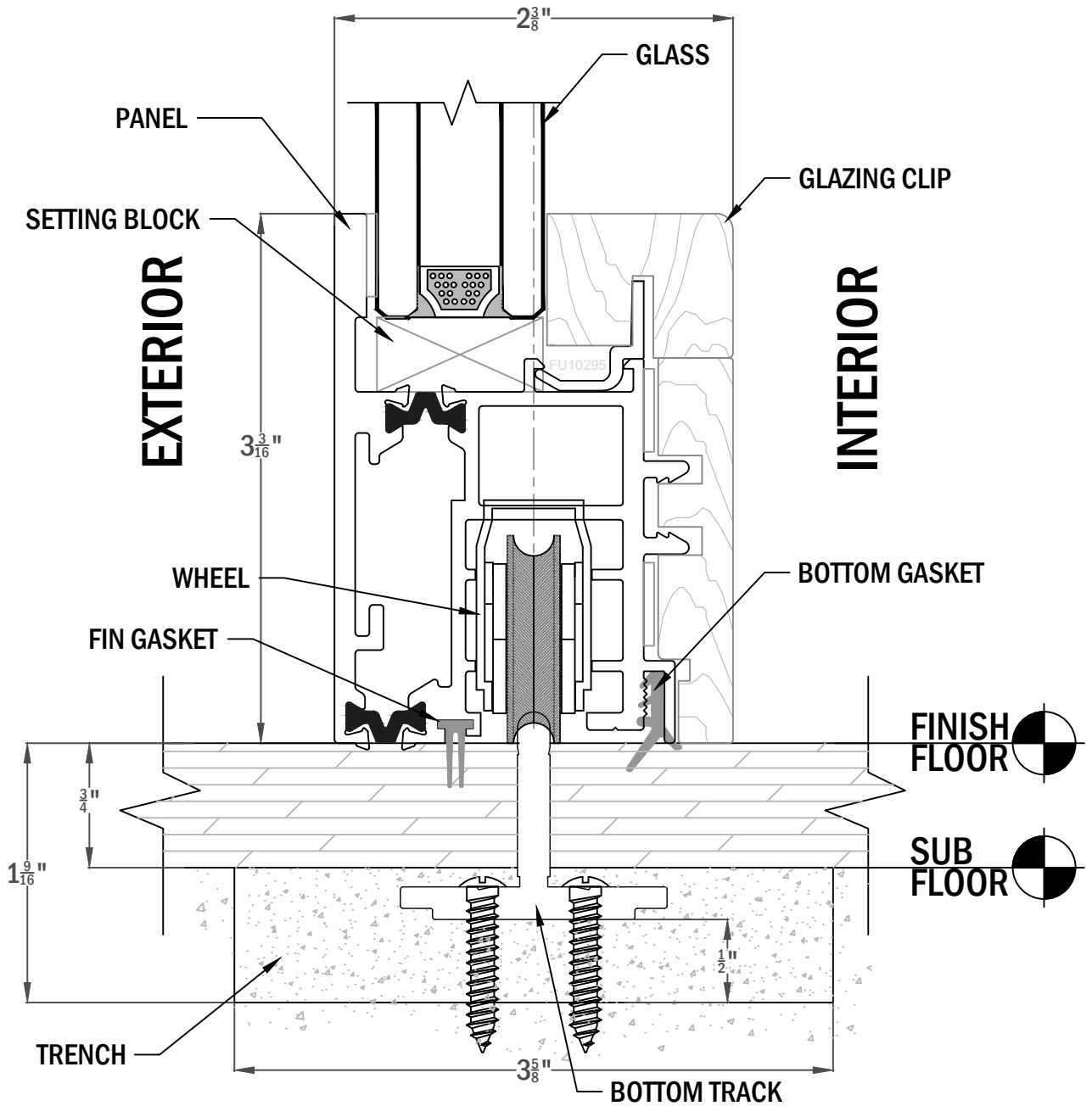
OPTION 4





RECOMMENDED TRENCH WIDTH:

- 1 TRACK: $3\frac{5}{8}$ " WIDE
- 2 TRACK: $6\frac{9}{16}$ " WIDE
- 3 TRACK: $9\frac{1}{2}$ " WIDE
- 4 TRACK: $12\frac{3}{8}$ " WIDE
- 5 TRACK: $15\frac{5}{16}$ " WIDE





RECOMMENDED TRENCH WIDTH:

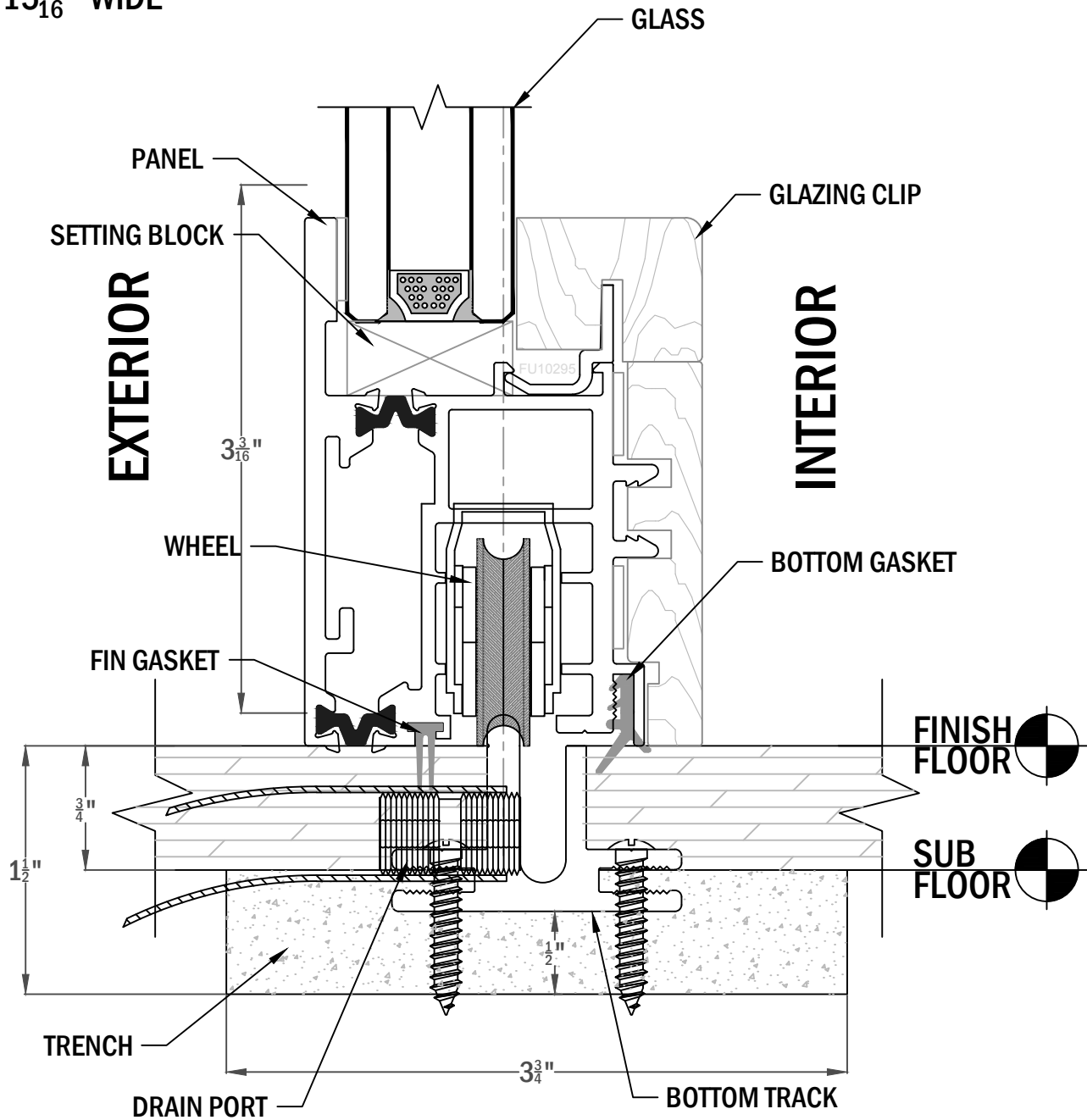
1 TRACK: $3\frac{3}{4}$ " WIDE

2 TRACK: $6\frac{11}{16}$ " WIDE

3 TRACK: $9\frac{5}{8}$ " WIDE

4 TRACK: $12\frac{9}{16}$ " WIDE

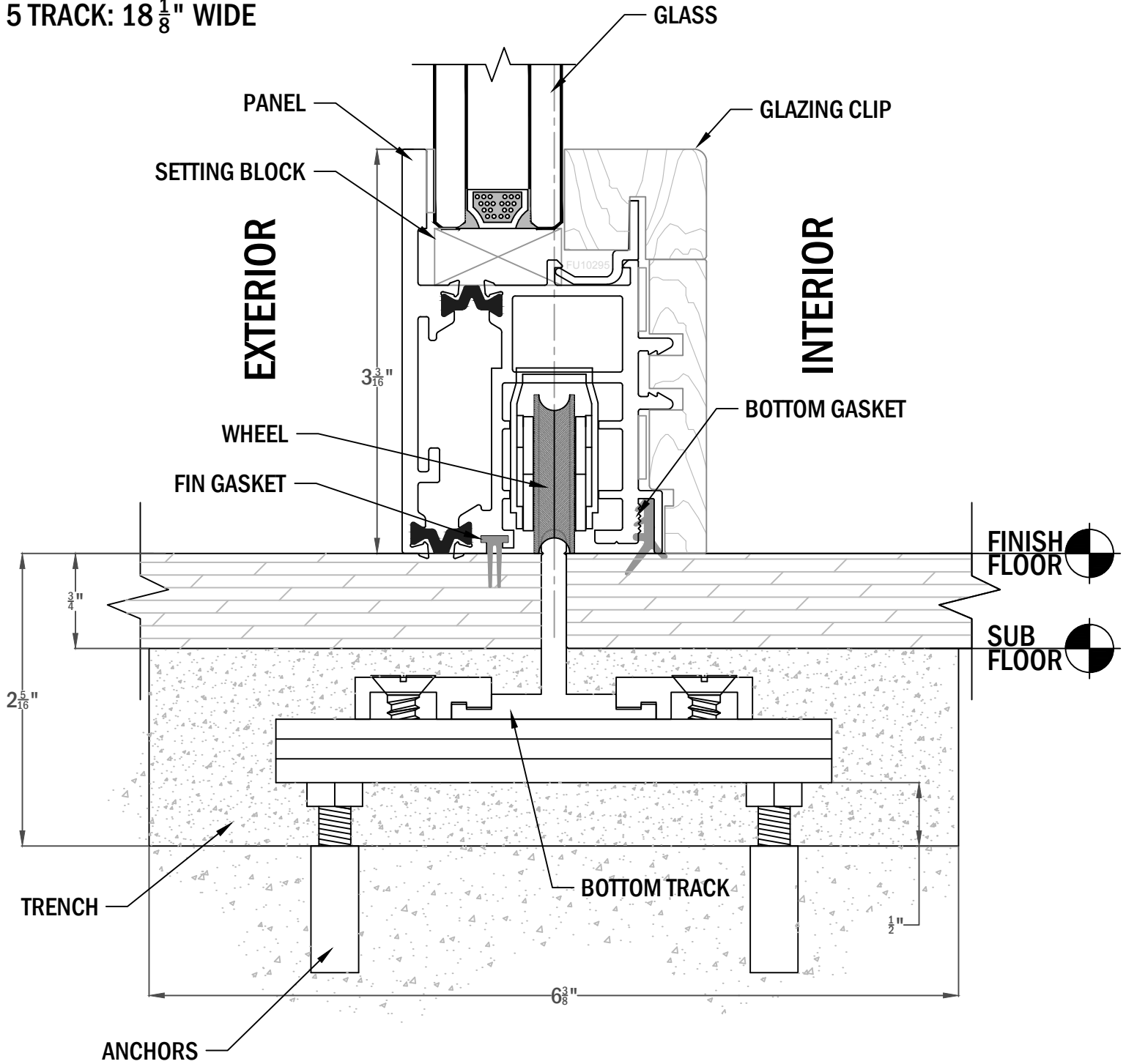
5 TRACK: $15\frac{7}{16}$ " WIDE





RECOMMENDED TRENCH WIDTH:

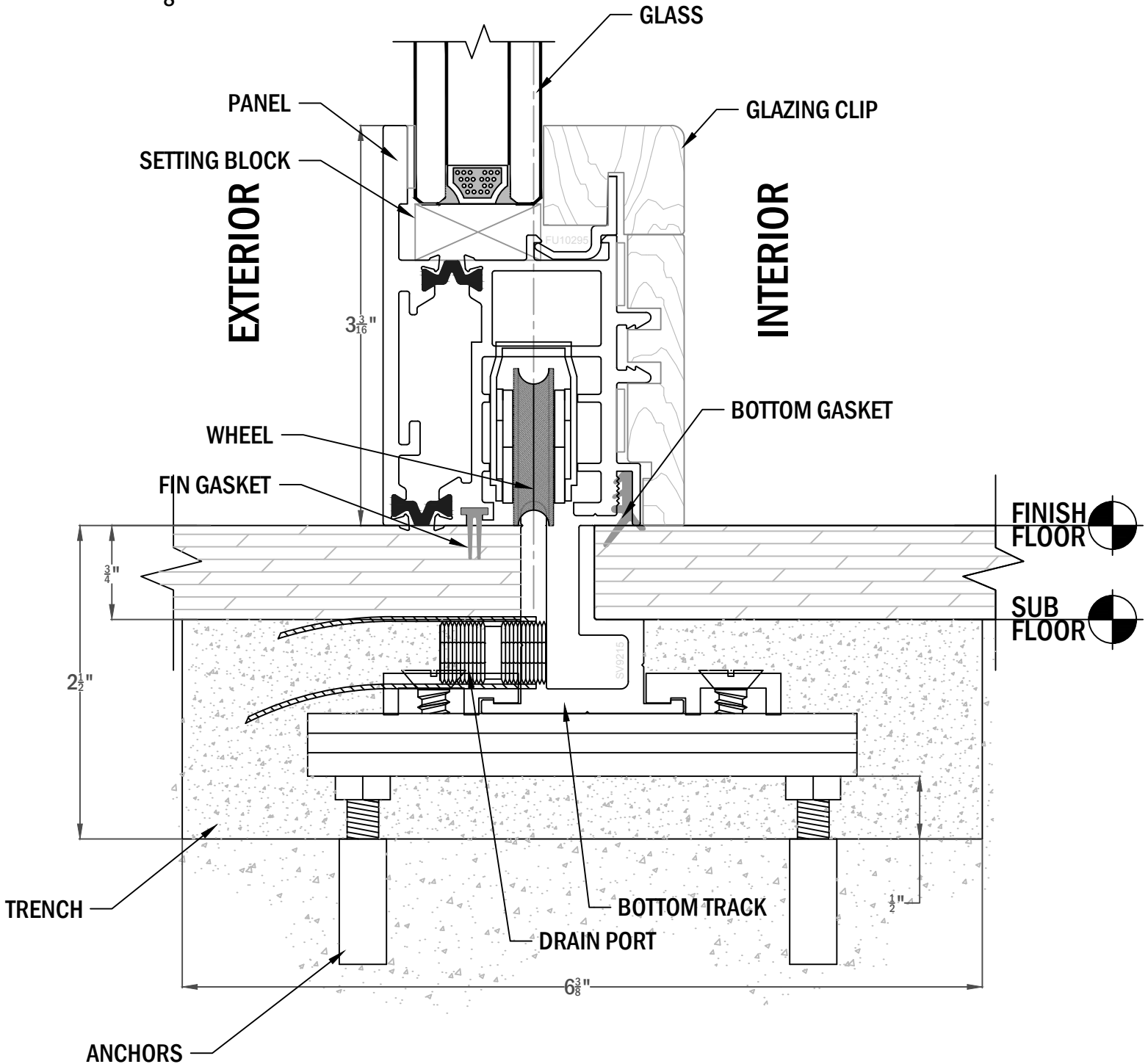
- 1 TRACK: 6 ³/₈" WIDE
- 2 TRACK: 9 ⁵/₁₆" WIDE
- 3 TRACK: 12 ¹/₄" WIDE
- 4 TRACK: 15 ³/₁₆" WIDE
- 5 TRACK: 18 ¹/₈" WIDE





RECOMMENDED TRENCH WIDTH:

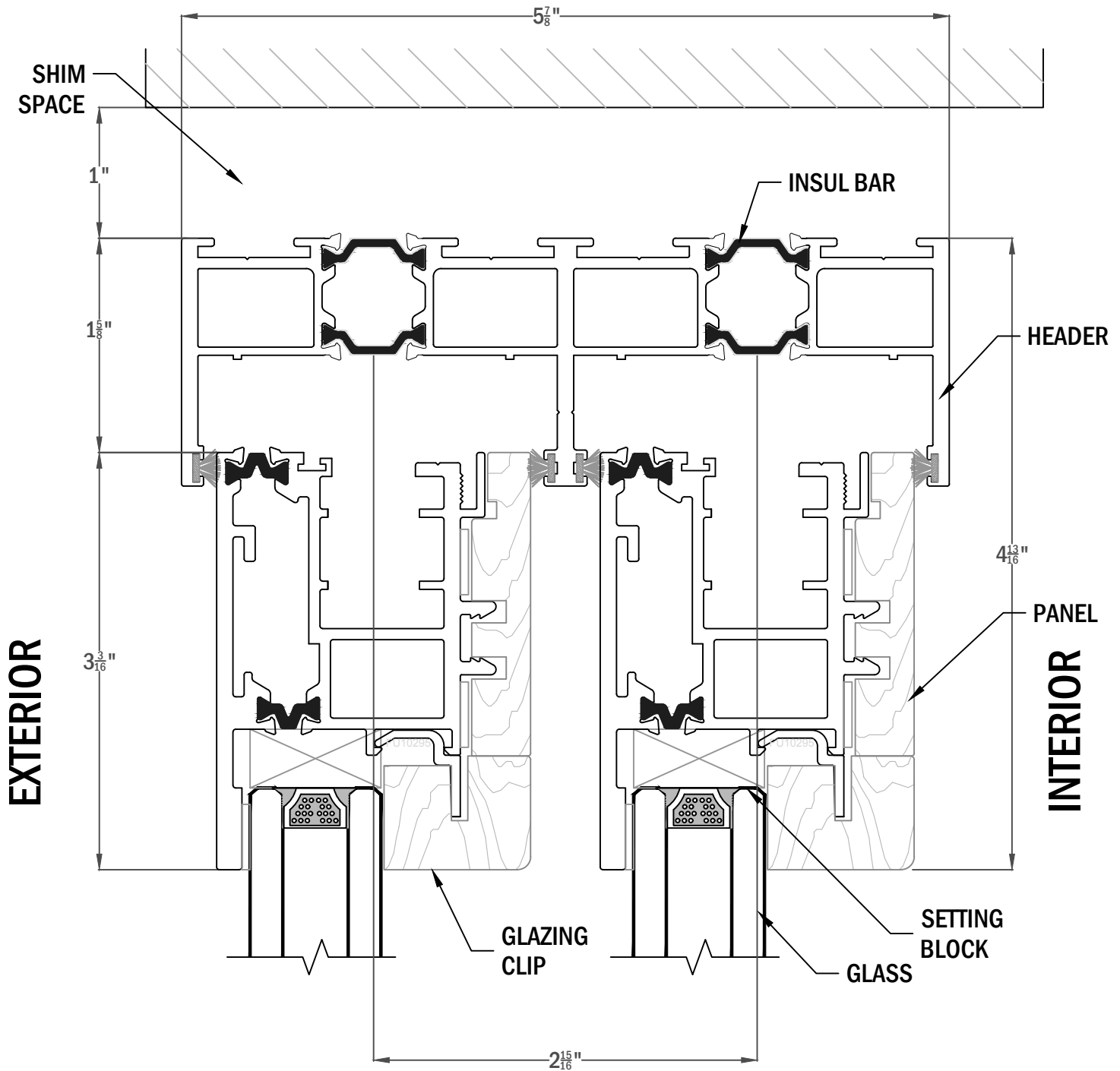
- 1 TRACK: 6 ³/₈" WIDE
- 2 TRACK: 9 ⁵/₁₆" WIDE
- 3 TRACK: 12 ¹/₄" WIDE
- 4 TRACK: 15 ³/₁₆" WIDE
- 5 TRACK: 18 ¹/₈" WIDE





HEADER WIDTH:

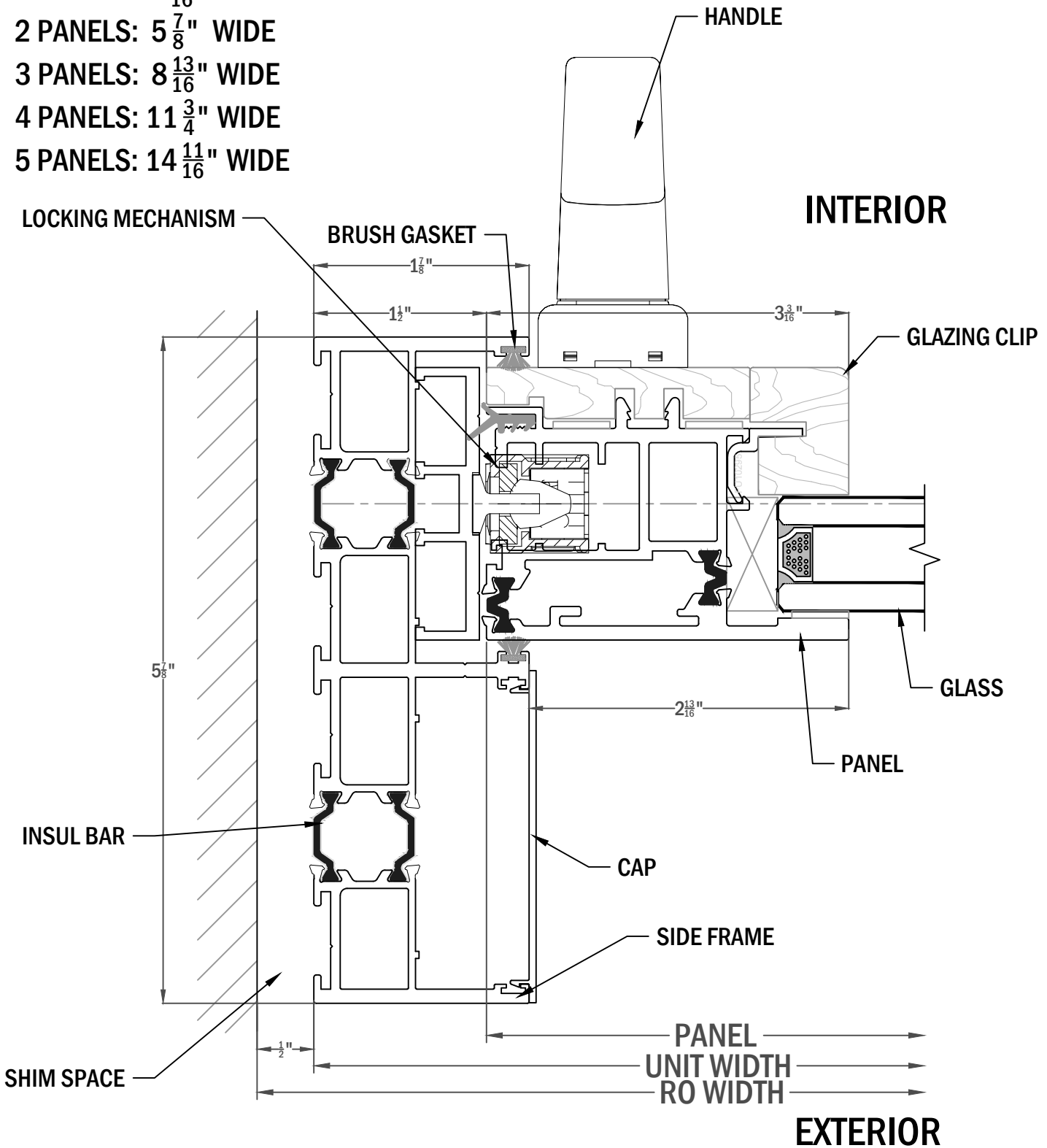
- 1 PANEL: $2\frac{15}{16}$ " WIDE
- 2 PANELS: $5\frac{7}{8}$ " WIDE
- 3 PANELS: $8\frac{13}{16}$ " WIDE
- 4 PANELS: $11\frac{3}{4}$ " WIDE
- 5 PANELS: $14\frac{11}{16}$ " WIDE

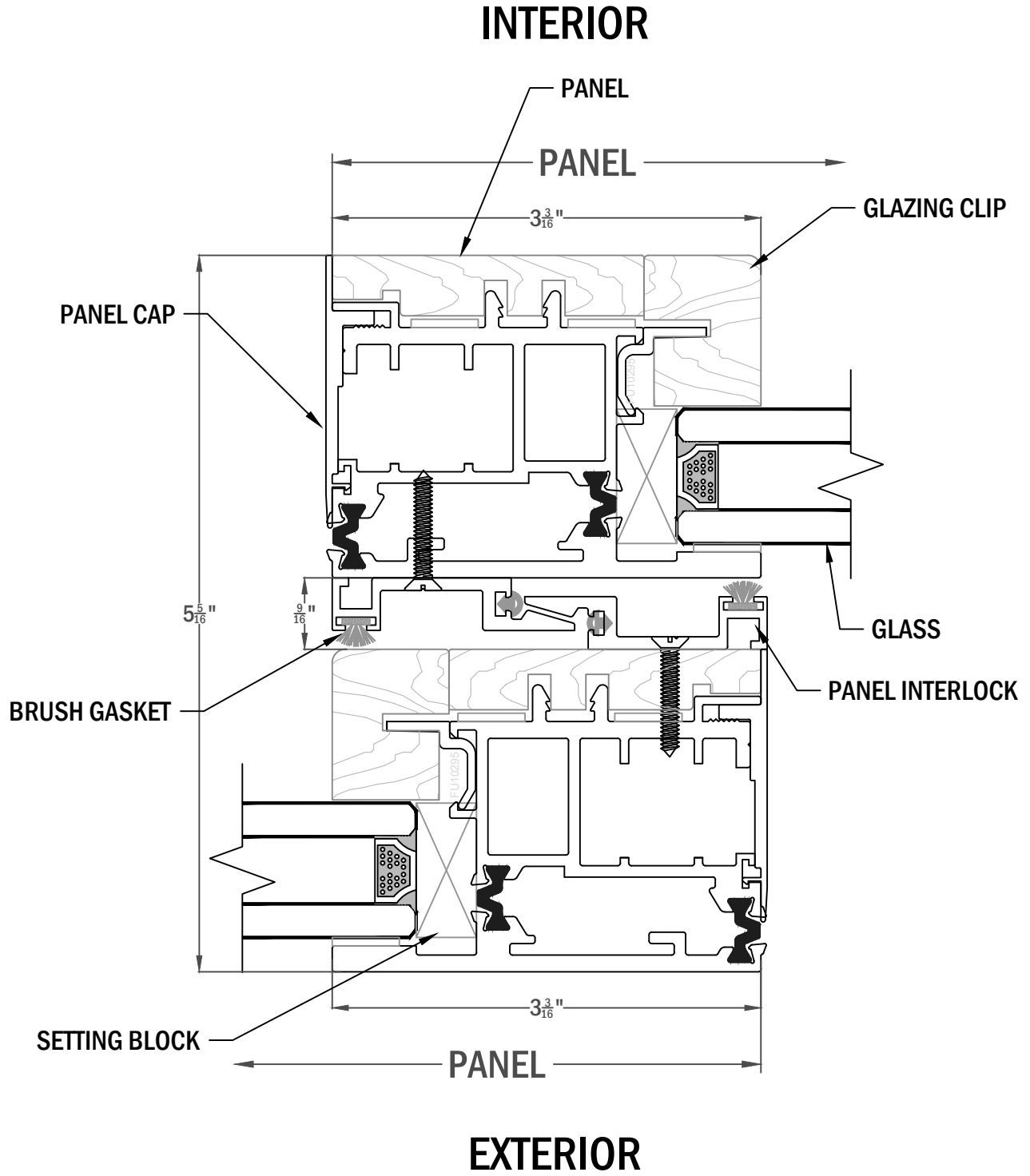


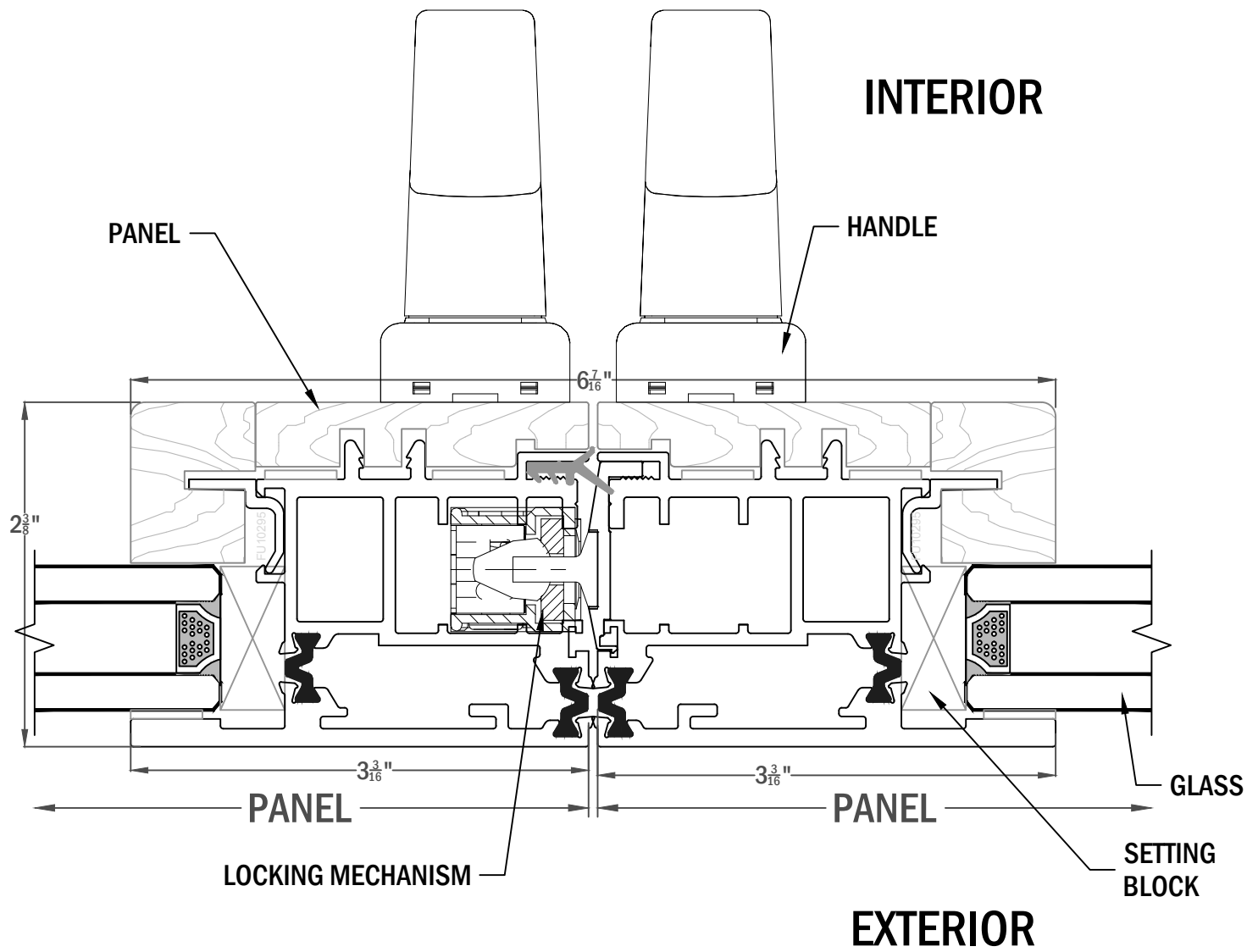


SIDE FRAME WIDTH:

- 1 PANEL: $2\frac{15}{16}$ " WIDE
- 2 PANELS: $5\frac{7}{8}$ " WIDE
- 3 PANELS: $8\frac{13}{16}$ " WIDE
- 4 PANELS: $11\frac{3}{4}$ " WIDE
- 5 PANELS: $14\frac{11}{16}$ " WIDE









RECOMMENDED POCKET WIDTH:

- 1 PANEL: $3 \frac{7}{16}$ " WIDE
- 2 PANELS: $6 \frac{5}{8}$ " WIDE
- 3 PANELS: $9 \frac{9}{16}$ " WIDE
- 4 PANELS: $12 \frac{1}{2}$ " WIDE
- 5 PANELS: $15 \frac{7}{16}$ " WIDE

