



Panda's Frameless Horizontal Sliding Wall Systems create divisions that are functional and aesthetically pleasing enhancing the quality of life and providing a minimalistic feel of expansive, open space. This model is used in both interior and exterior applications, and unusual layouts that often require special solutions, particularly in the design of the stacking area . These partitions can be flexibly designed to suit different structural conditions and design concept.

System:

This system can be parked in a range of different position. The stack of panels can be aligned parallel, perpendicular or at an angle to the opening, and be readily visible for effect or hidden behind columns, etc.

Running:

This stackable sliding glass door system is top hung. A double carrier system is mounted on each side of top rail allowing the glass door panels to be self-balancing. The sliding door carriers are stainless steel with vinyl roller surfaces. Carrier design incorporates a total of eight wheels of varying dimensions.

Dimension:

Sliding panel

Maximum Panel Height: Up to 144 "

Maximum Panel Width : Up to 48 "

Convertible Sliding Panel (single operation)

Maximum Panel Height: Up to 144 "

Maximum Panel Width: Up to 36 "

Non-Sliding Swing Panel (single and double operation)

Maximum Panel Height: Up to 144 "

Maximum Panel Width: Up to 43 "

Glazing:

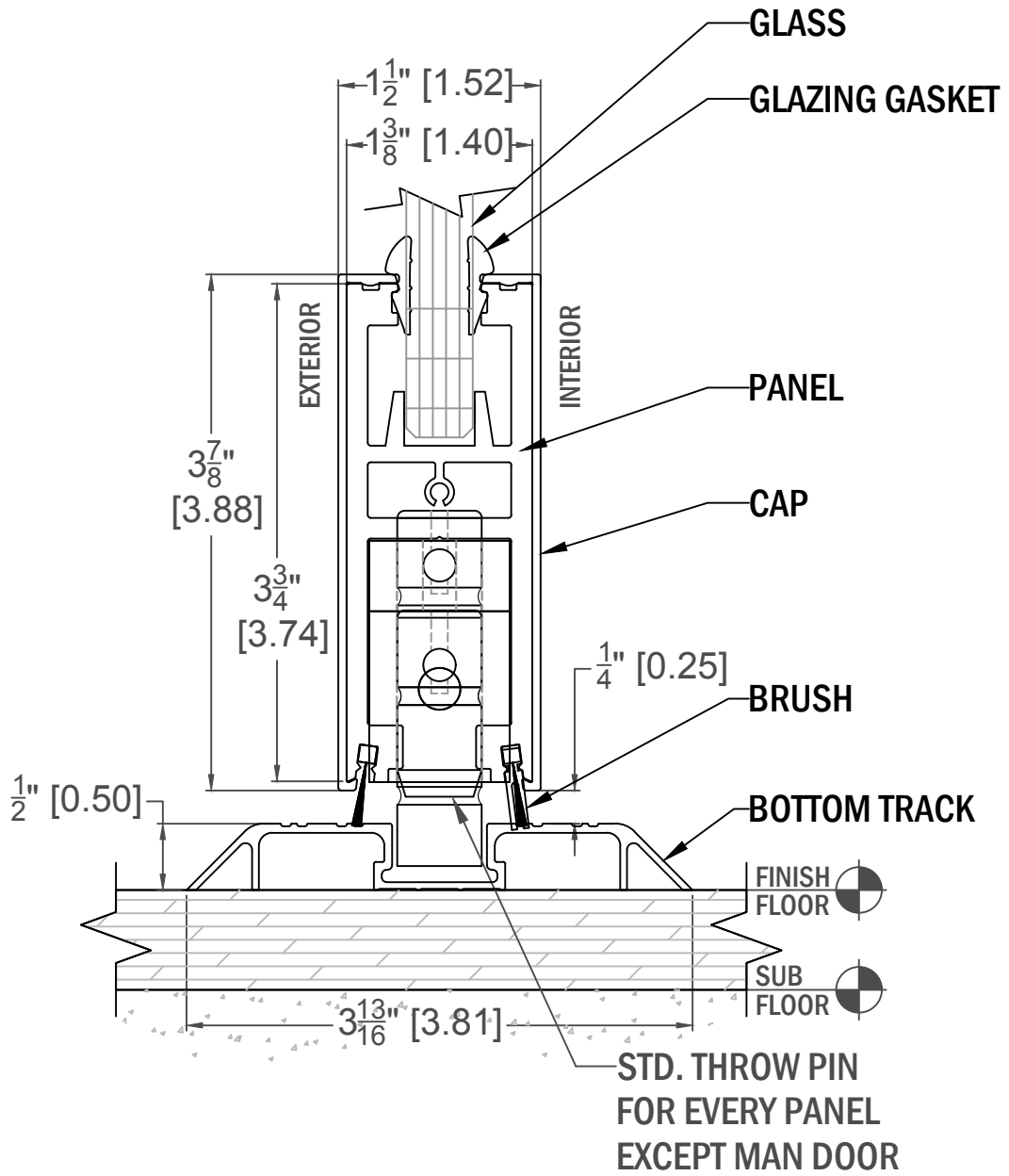
Tempered glass at a thickness of 1/2 "

Weight:

Panel Weight approx. 7 to 8 lbs/sqft, changing with the height and width of the panels.

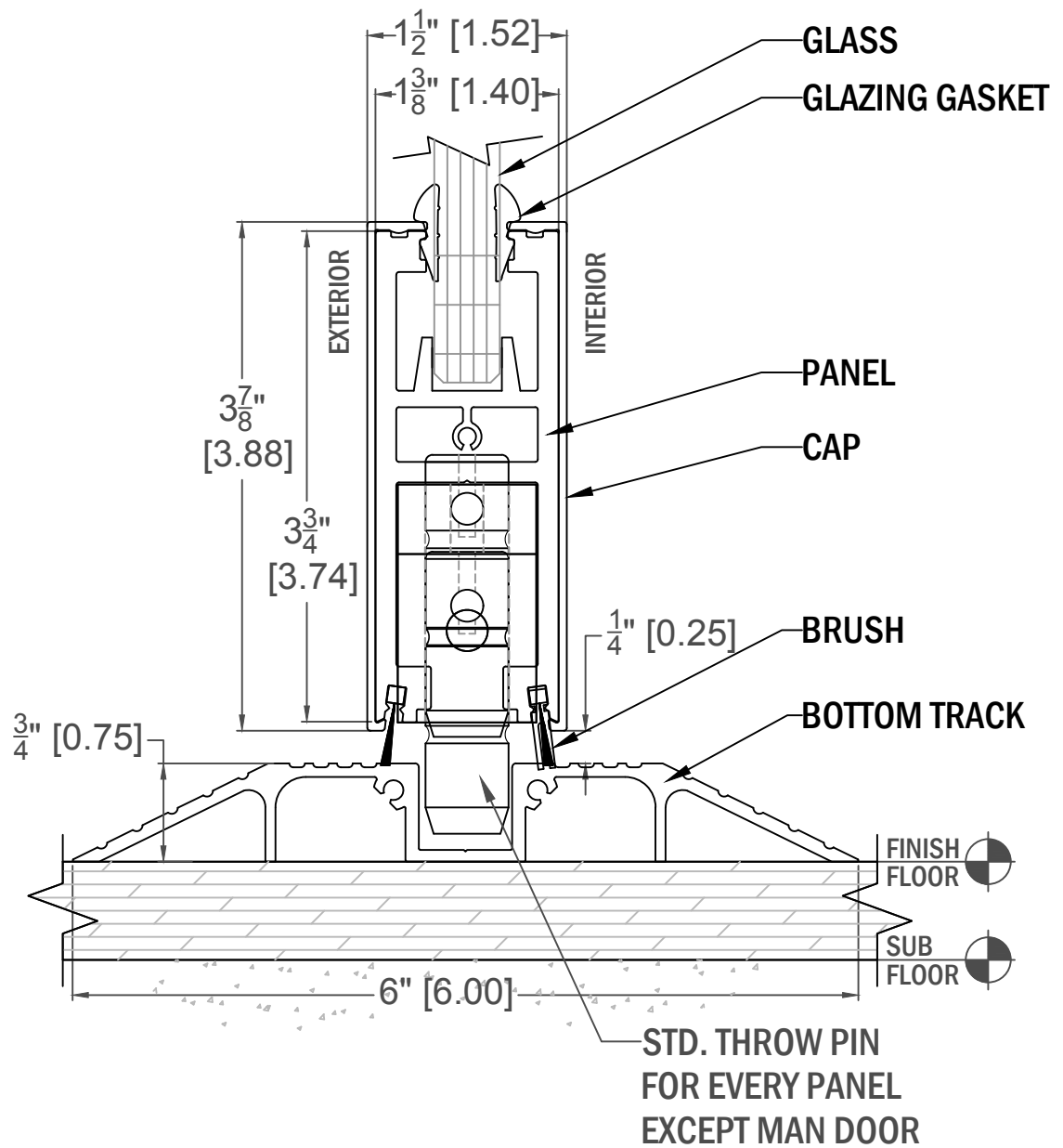
HSW-S92 AA
1/2" SURFACE TRACK

TRACK CONFIGURATION



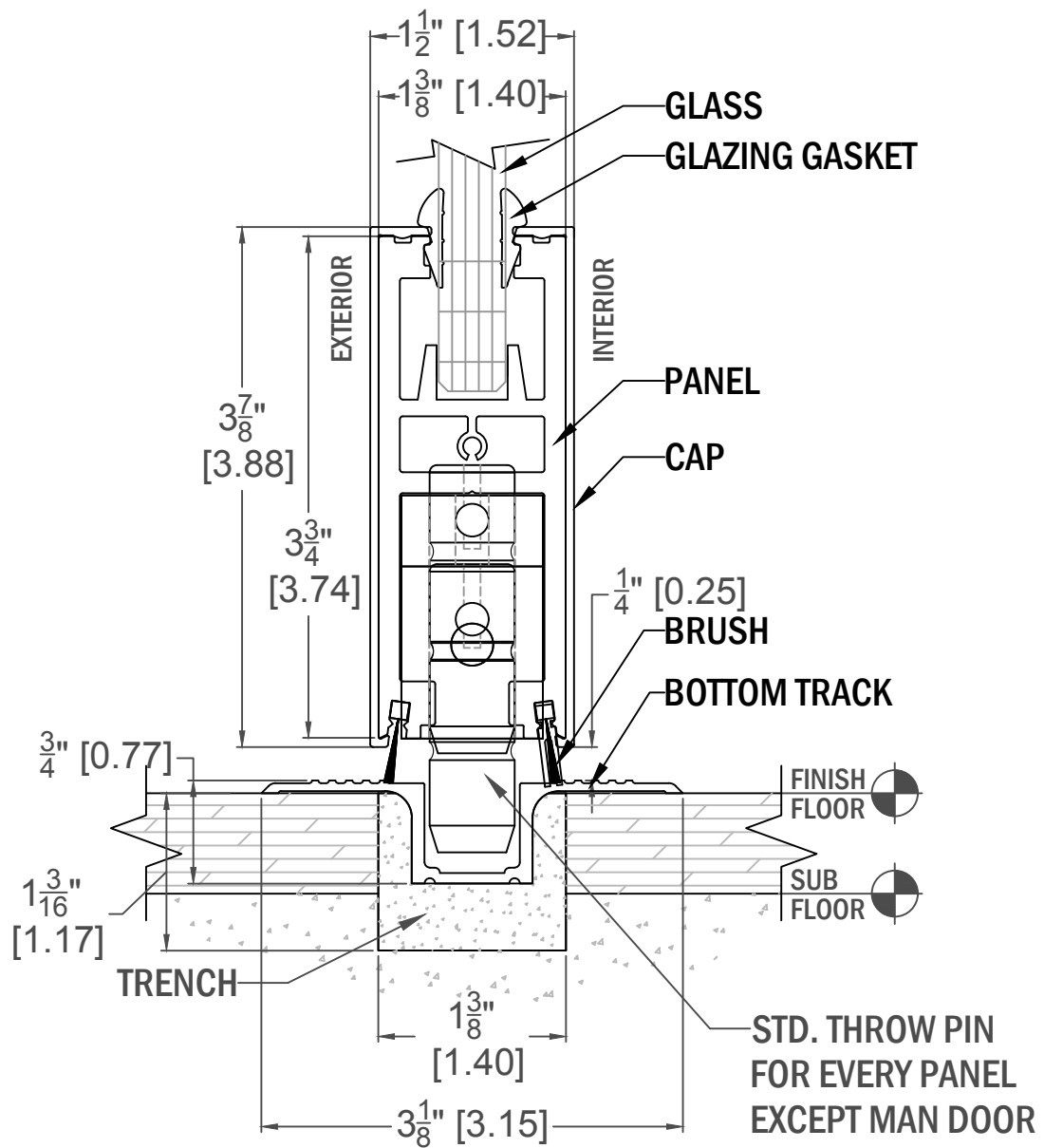
HSW-S92 AA
3/4" SURFACE TRACK

TRACK CONFIGURATION



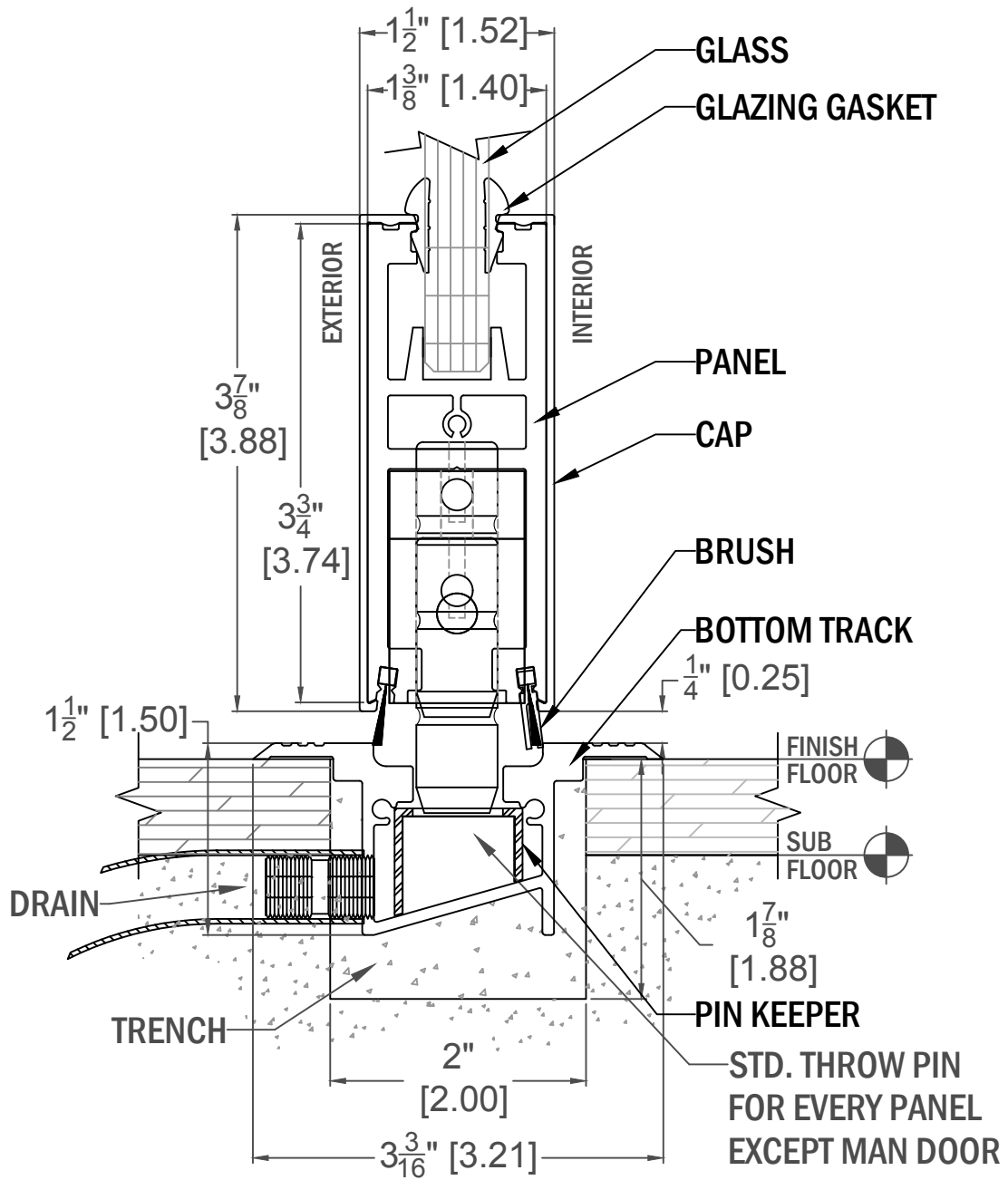
HSW-S92 AA
3/4" RECESSED TRACK

TRACK CONFIGURATION



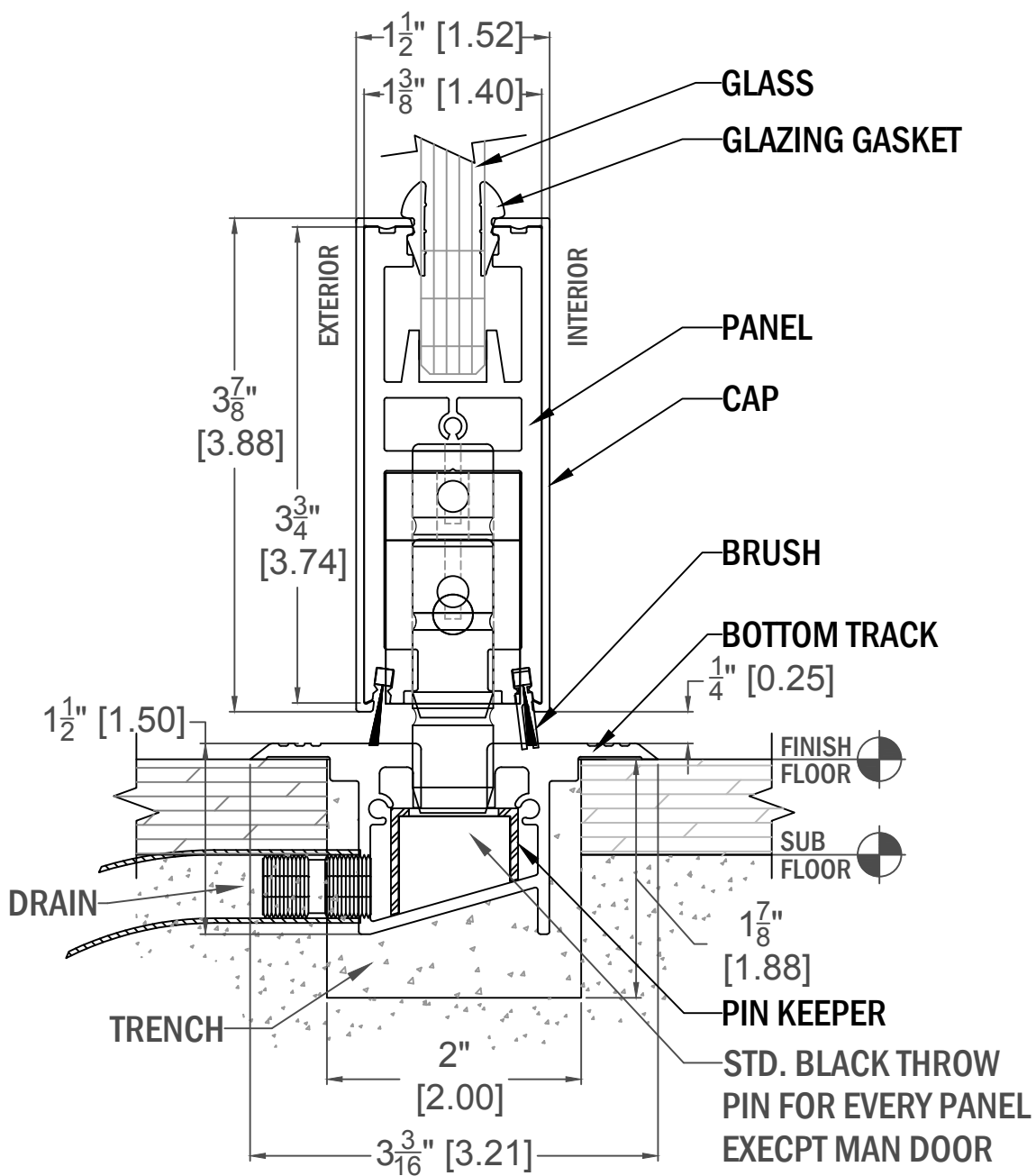
HSW-S92 AA
1½" RECESSED DRAIN TRACK

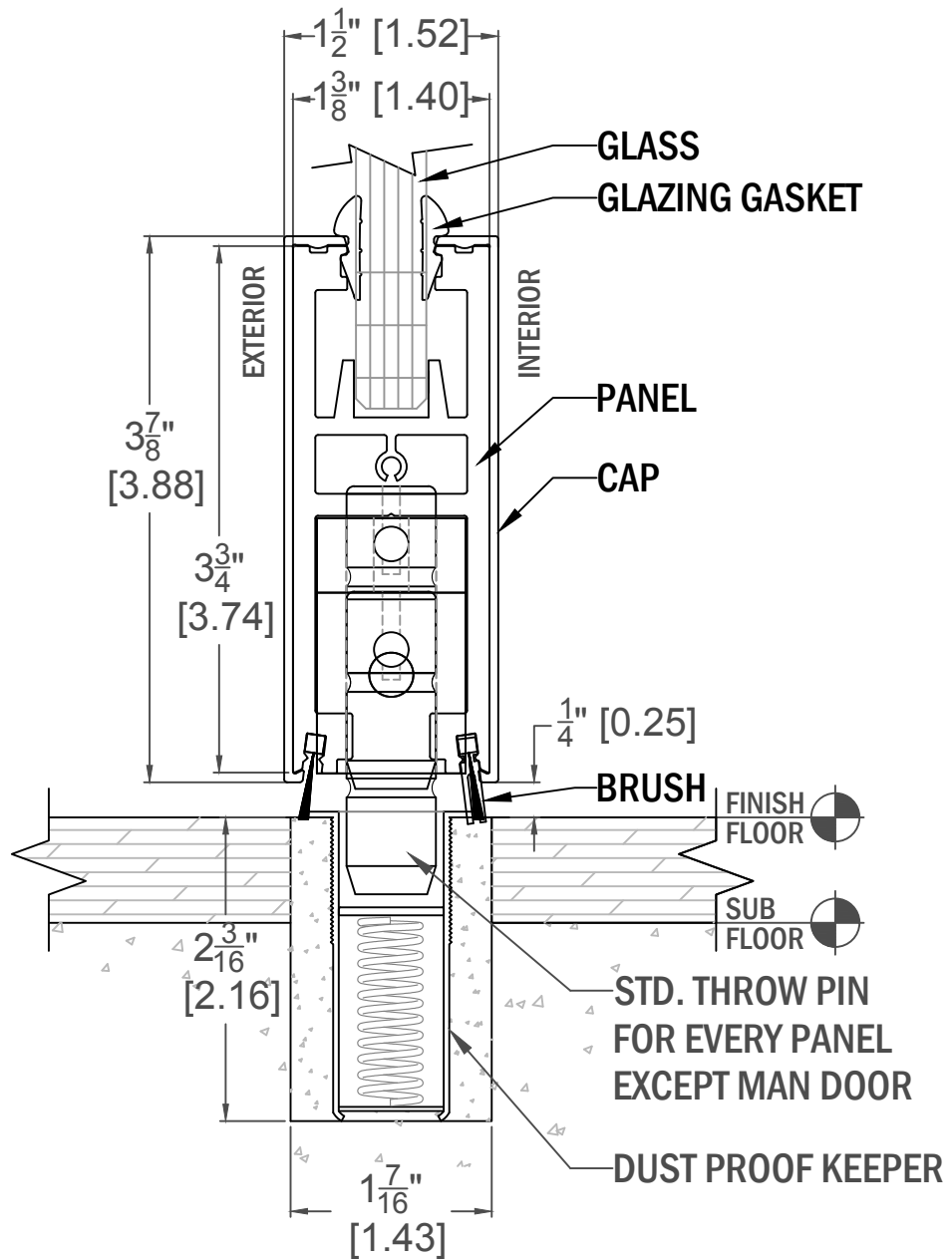
TRACK CONFIGURATION

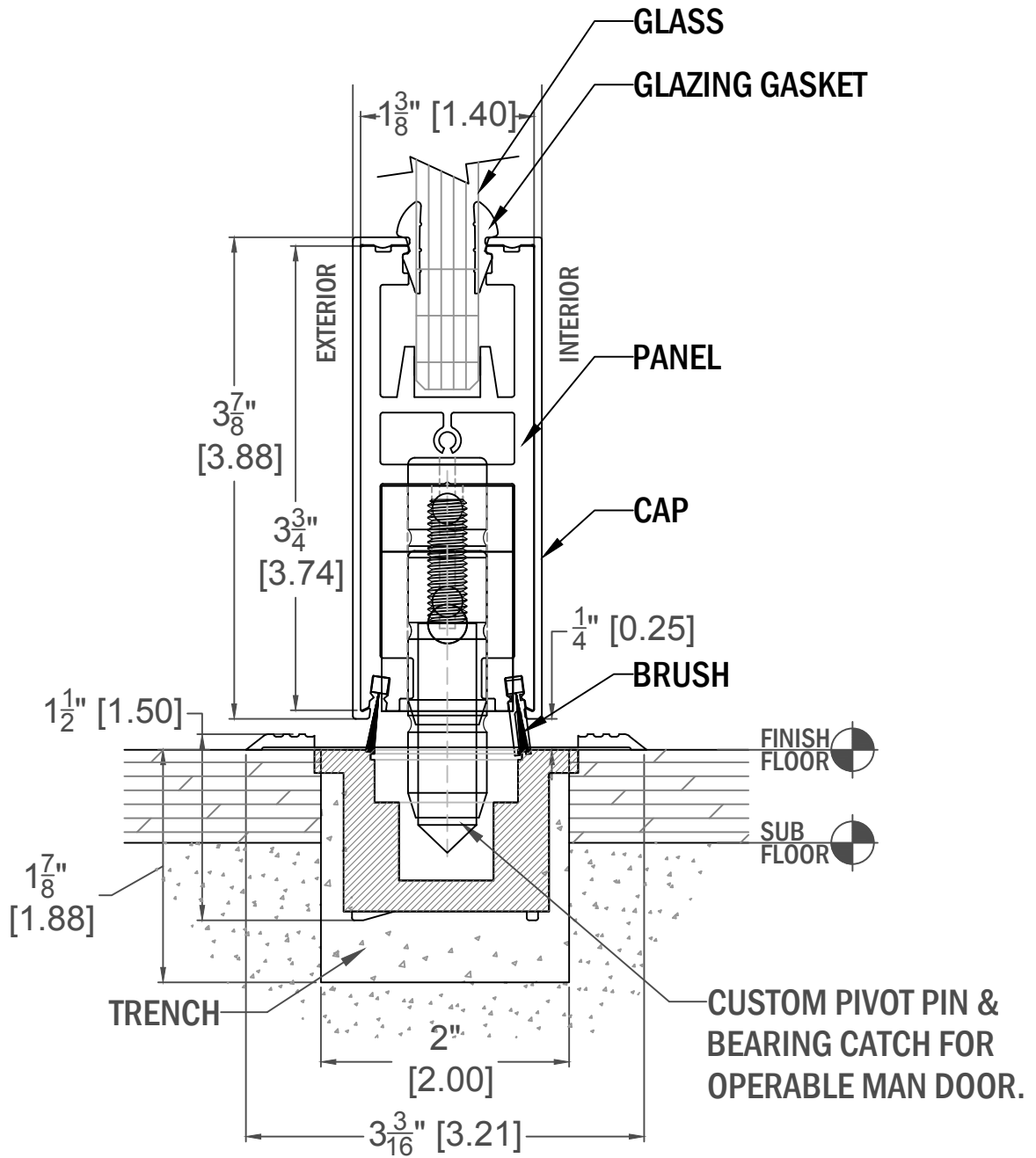


HSW-S92 AA
1½" ADA RECESSED DRAIN TRACK

TRACK CONFIGURATION

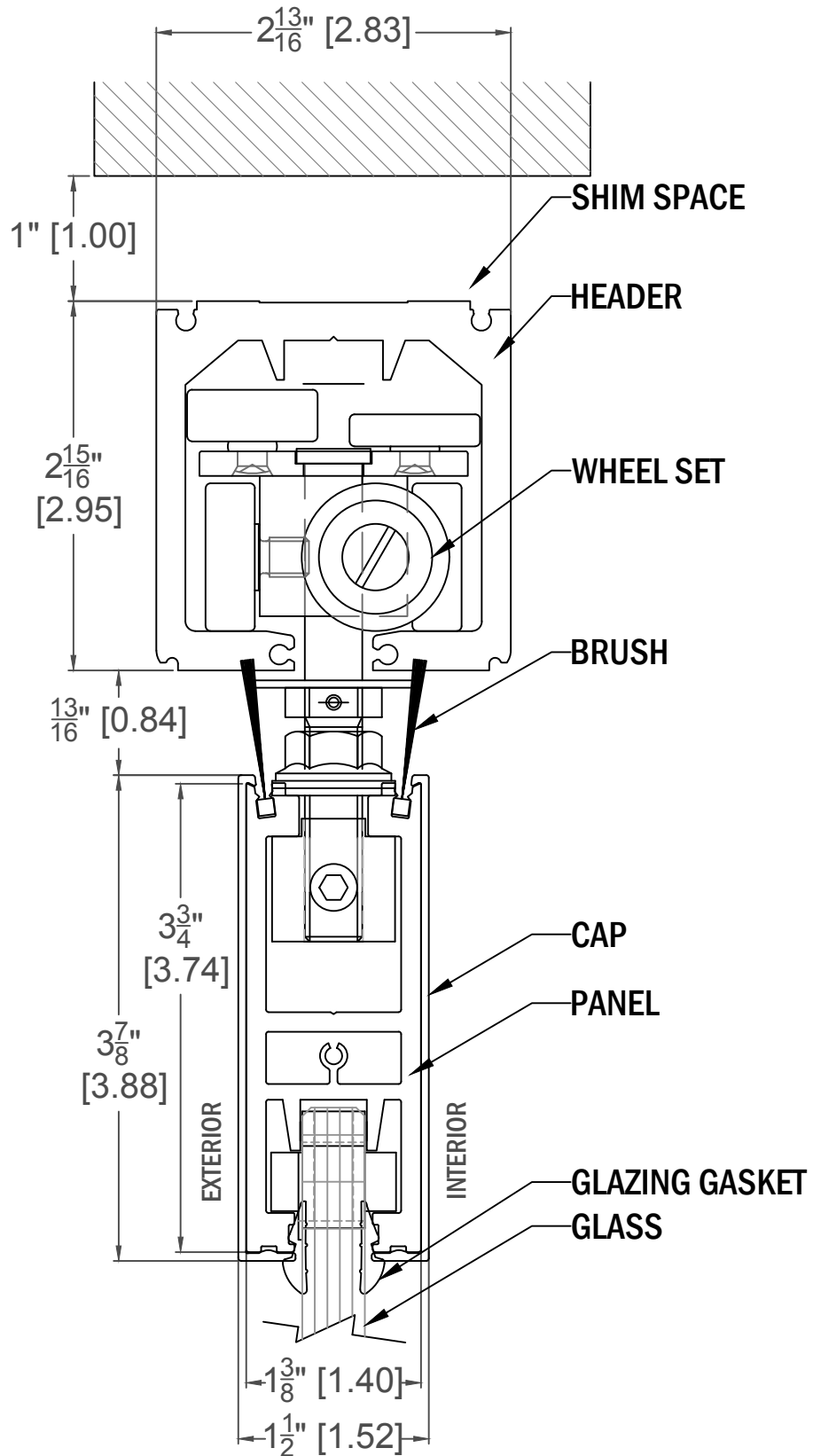






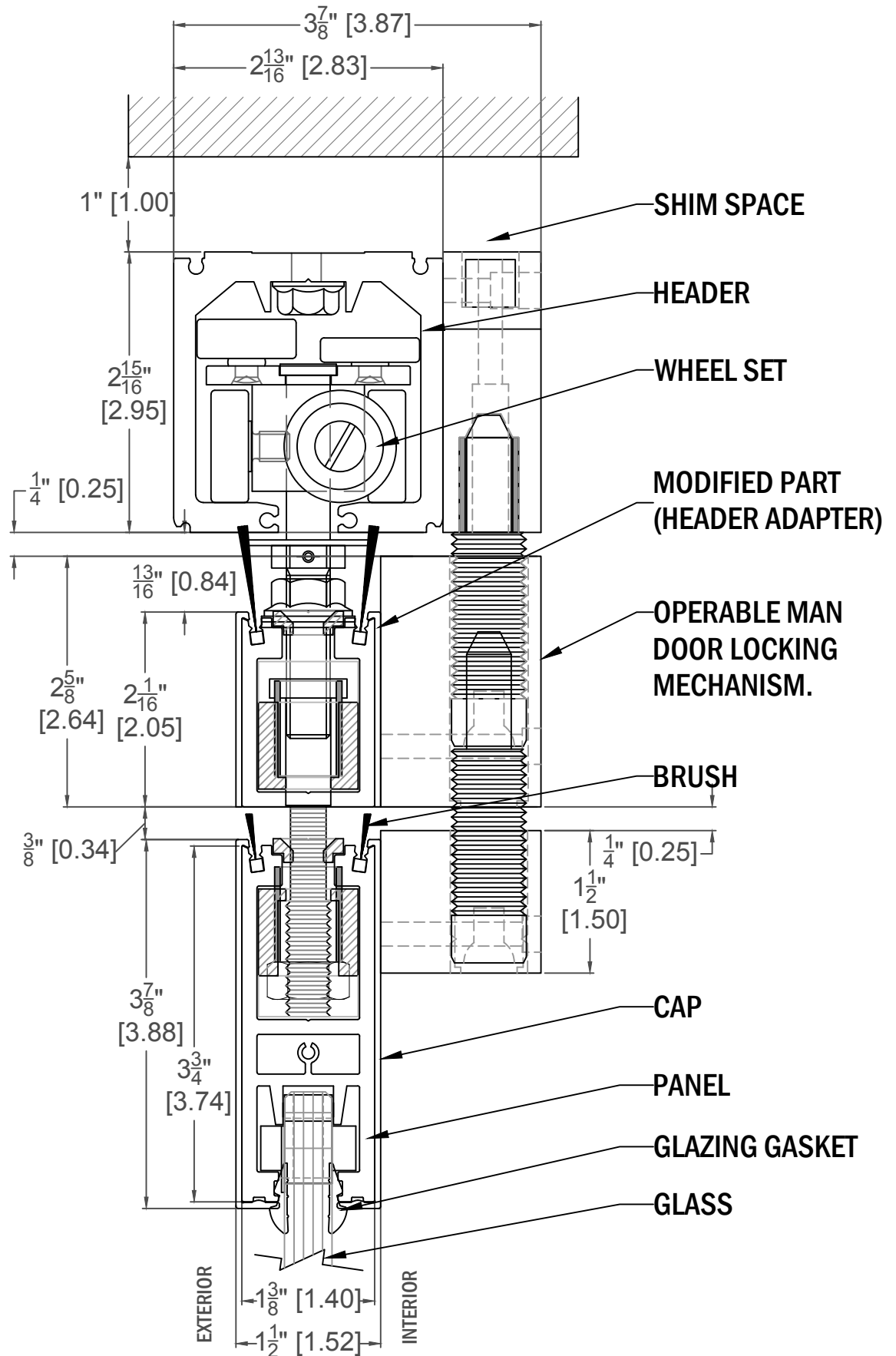
**HSW-S92 AA
HEADER FOR OPERABLE ONLY PANELS**

TRACK CONFIGURATION



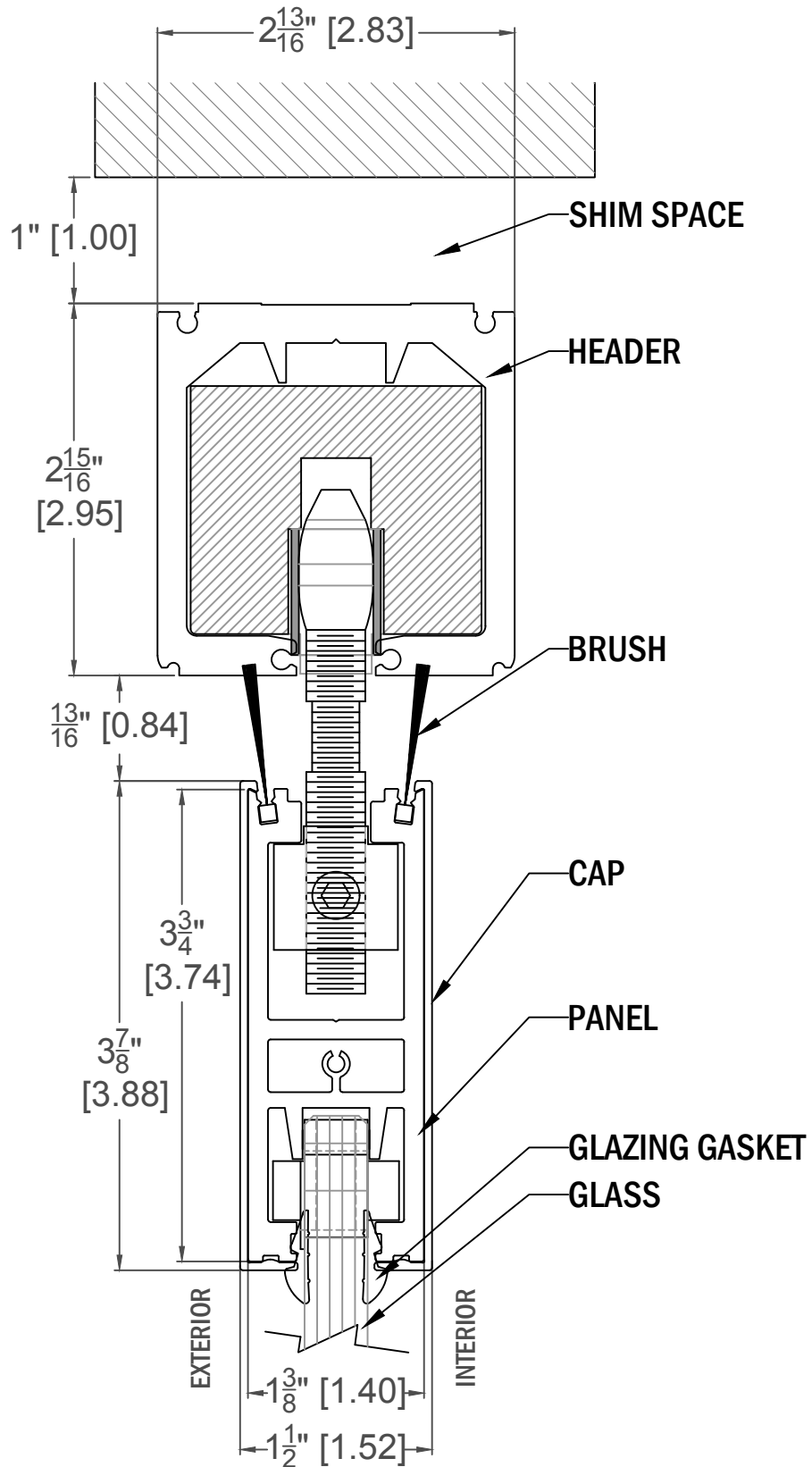
**HSW-S92 AA
HEADER FOR SWING-OPERABLE PANELS**

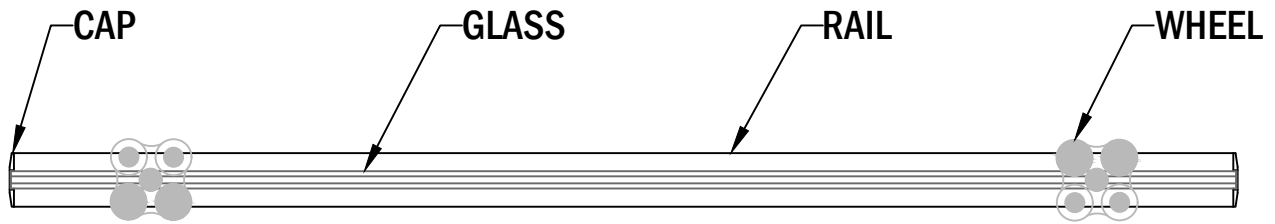
TRACK CONFIGURATION



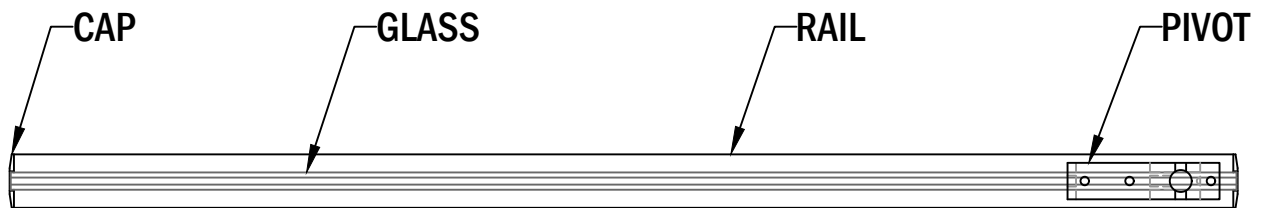
**HSW-S92 AA
HEADER FOR SWING ONLY PANELS**

TRACK CONFIGURATION

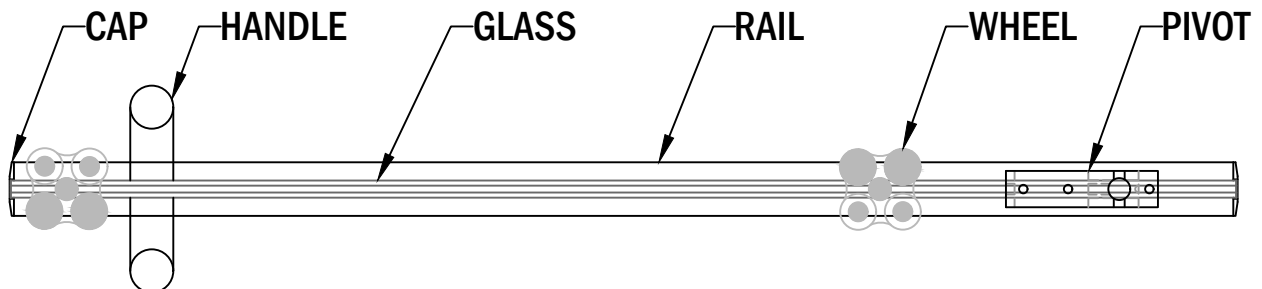




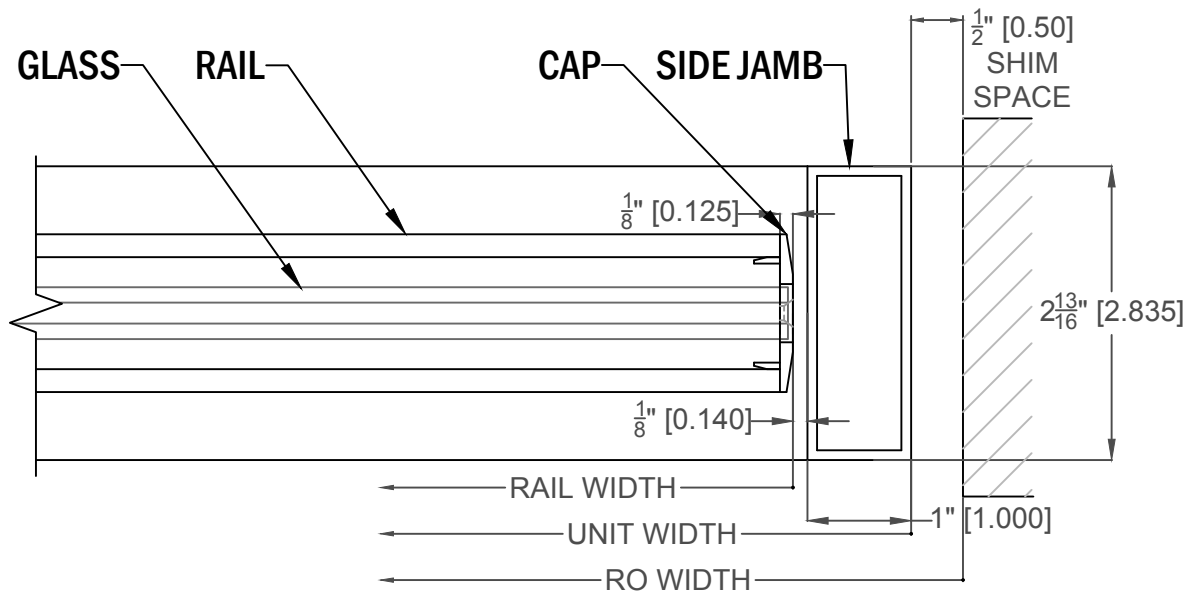
A OPERABLE-ONLY PANEL



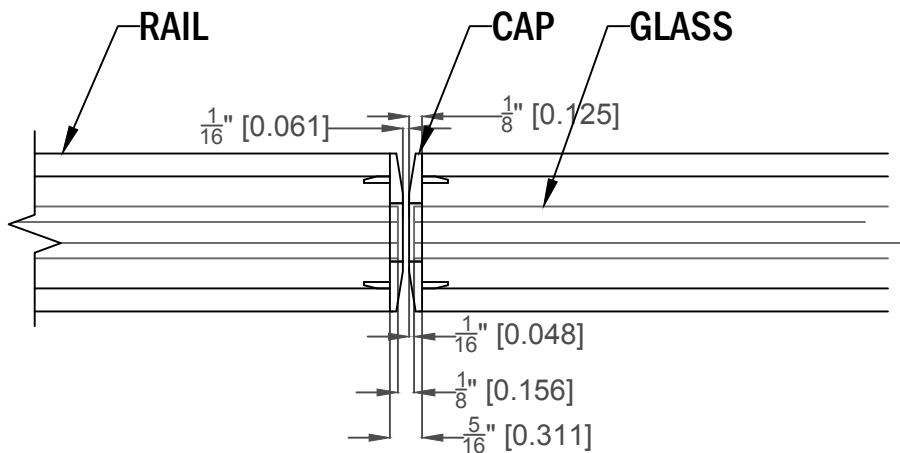
B SWING-ONLY PANEL



C SWING-OPERABLE PANEL



A SIDE JAMB



B JOINT

