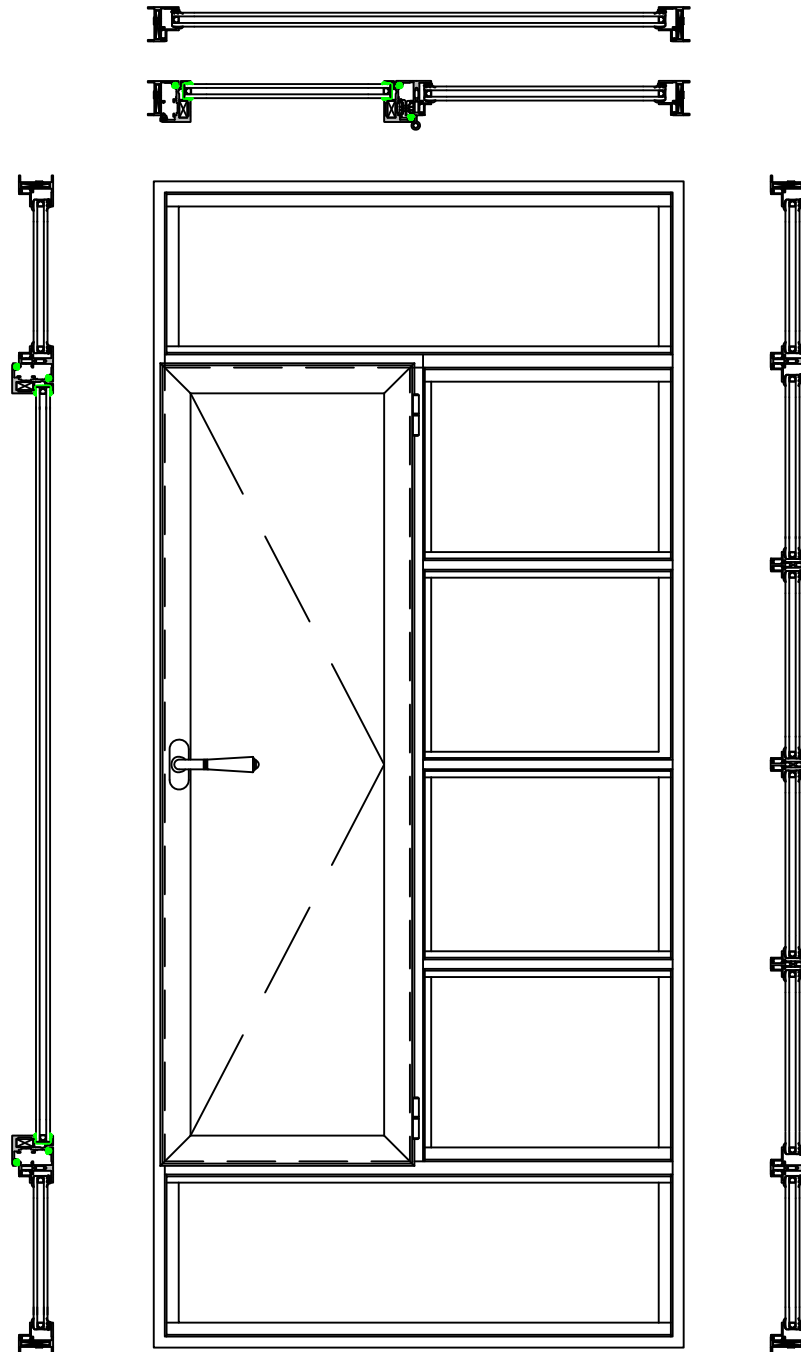


Steel Alternative ^{S.43}



3415 BELLINGTON RD N. LAS VEGAS, NV 89030
PANDA@PANDA-WINDOWS.COM

WWW.PANDA-WINDOWS.COM

PHONE: (702) 643-5700
FAX: (702) 643-5715

CONTENTS

1. TECHNICAL DESCRIPTION
2. TYPOLOGY
3. MULTIPLE UNIT INTEGRATION
4. FRENCH DOOR INTERGRATION
5. - 13. DETAILS



DRAWINGS AND LAYOUT BY
SHAWN M. HORNER
MMXI

The S.43 is uniquely designed to mimic the look and feel of Steel while providing the benefits of Aluminum. As an alternative to Steel windows and doors there are many benefits which include less maintenance for the lack of rust on aluminum and when powder coated the system offers a more durable finish. The sealing of the S.43 system is superior to classic steel windows. The S.43 system is perfectly suited for both modern and historical projects where the look of steel is required but the economical and versatile benefits of aluminum are desired.

Profile:

The extremely slim profile on this system is specially designed to endure use and be made in large panel sizes. These units are just as slim as steel windows only cleaner in appearance. The stile width for a window is 1 ½" and the thickness is 1 ¾".

Configuration:

This series has many options that are all designed to work together to create a seamless overall window and door package. The S.43 series is available in fixed, single casement, double casement, tilt & turn, awning and hopper windows as well as single and double swing doors.

Finish:

There are several textured powder coat options to provide a steel-like appearance and feel. Other finish options are Kynar or Anodizing.

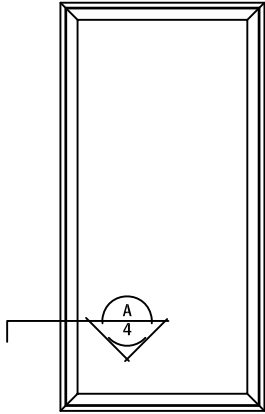
Glazing:

The standard glass for this system is a ¾" Tempered LoE Insulated Glass Unit. Virtually any other type of glass may be used up to ¾" in total unit thickness. Common options include laminated, frosted, and tinted.

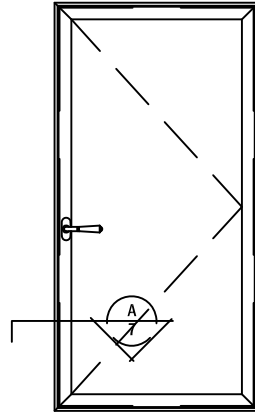
Sizes:

Various configurations of this system are available thus allowing for different maximum sizes depending on the type. Operable casement can be up to 42 wide and 60 tall, Tilt & Turn can be up to 42 wide and 60 tall, Fixed units can be up to 144 wide and 144 tall, and swing door panels can be up to 42 wide and 108 tall.

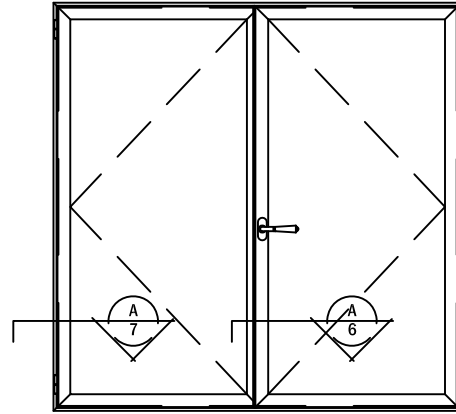
COMMON CONFIGURATIONS



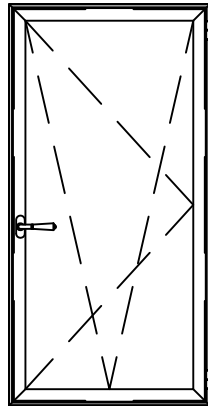
- FIXED



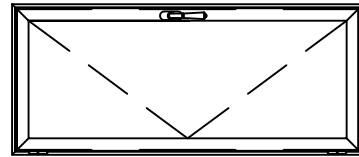
- SINGLE CASEMENT



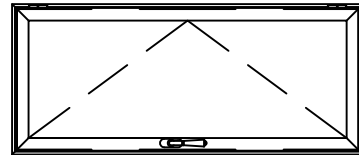
- DOUBLE CASEMENT



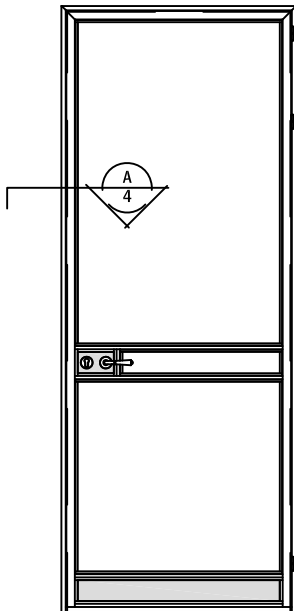
- TILT & TURN



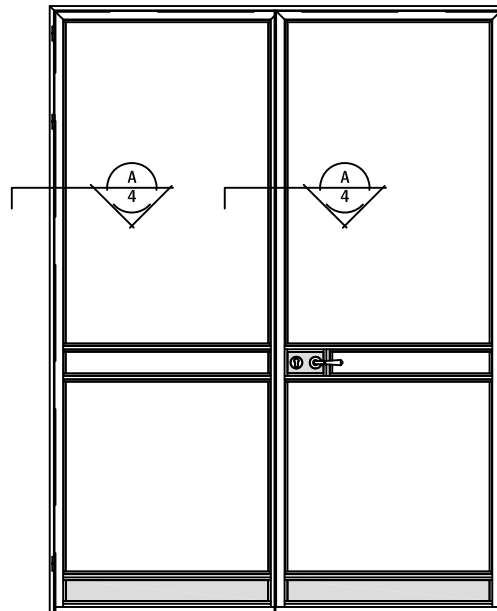
- HOPPER



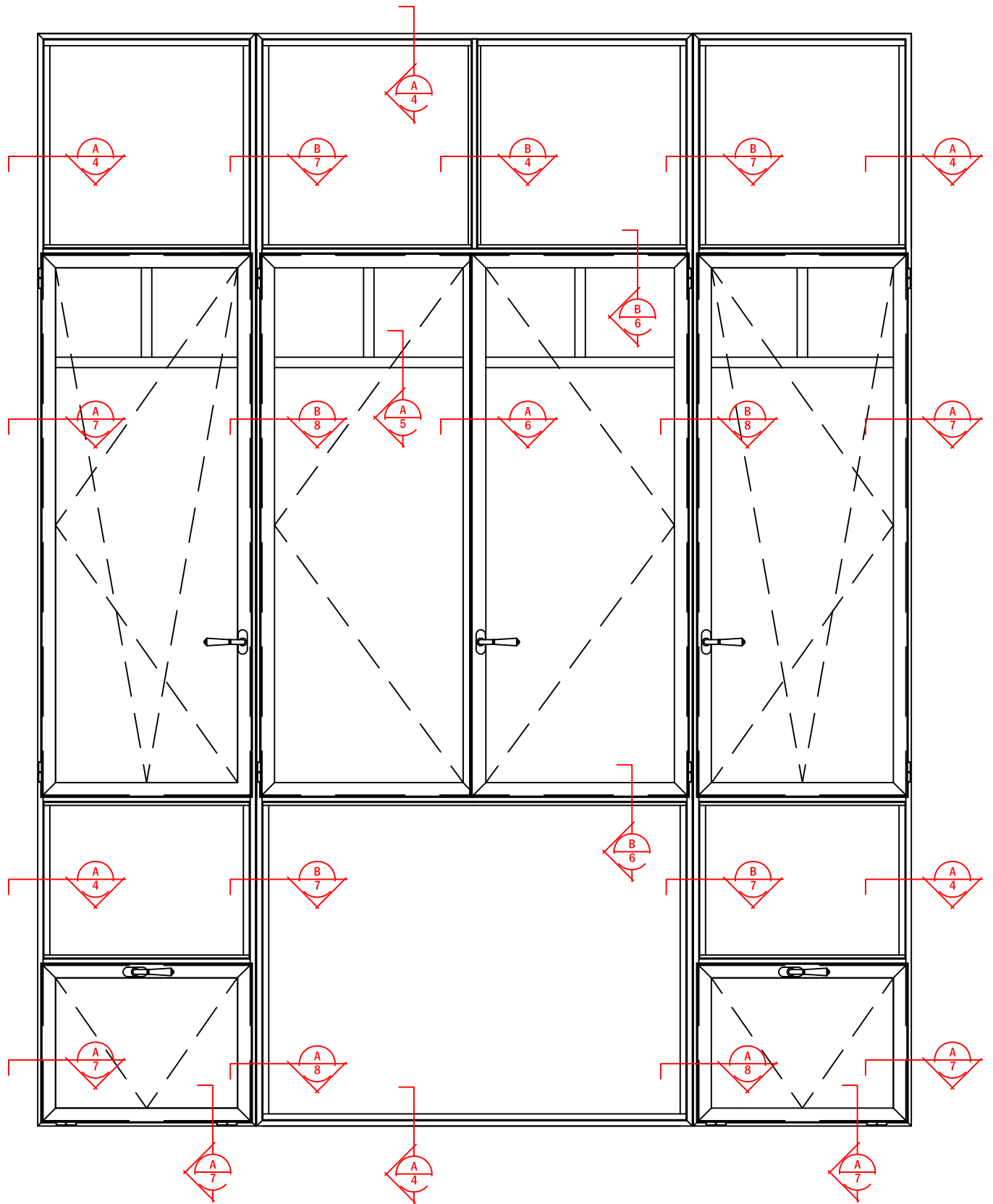
- AWNING

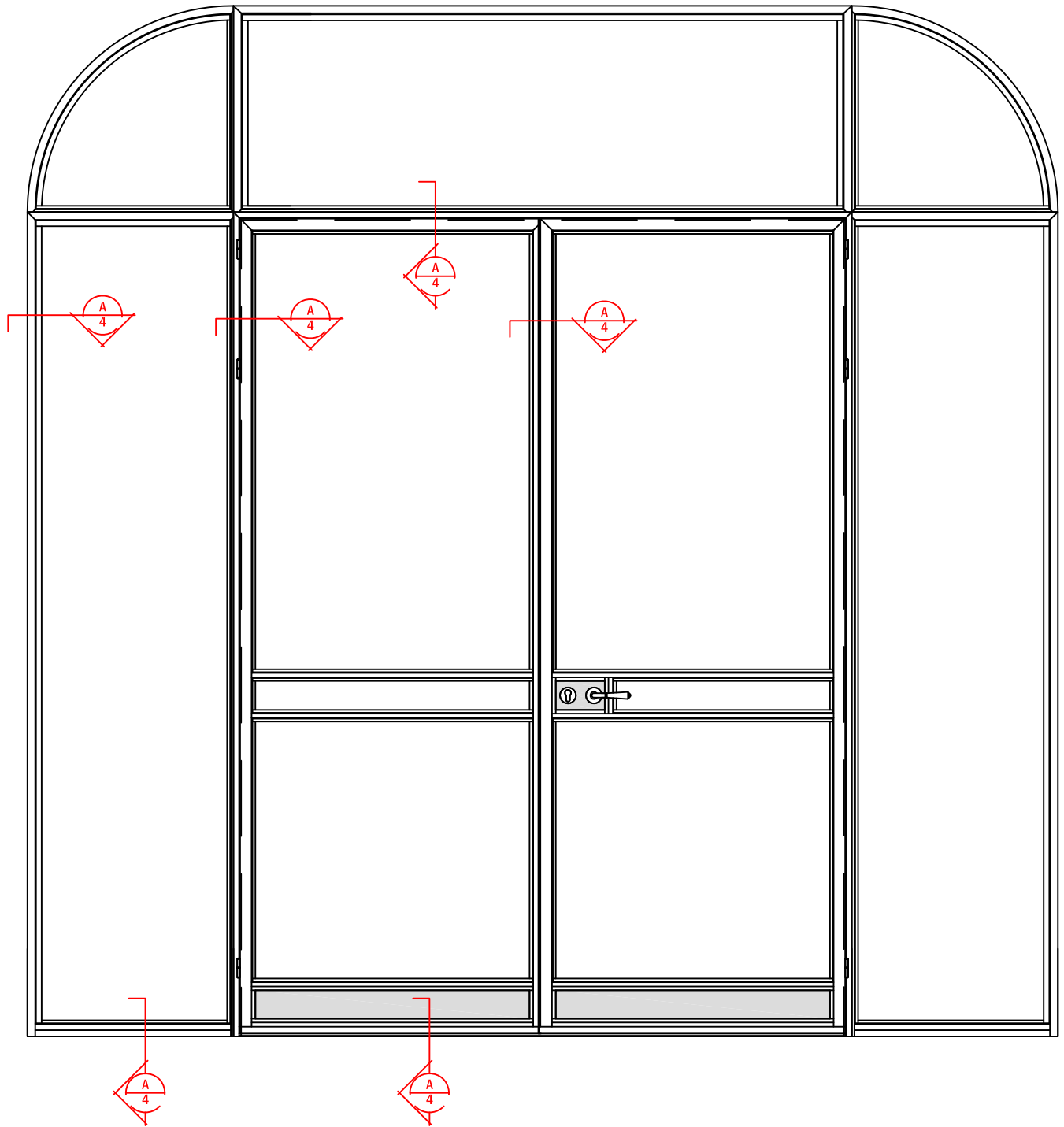


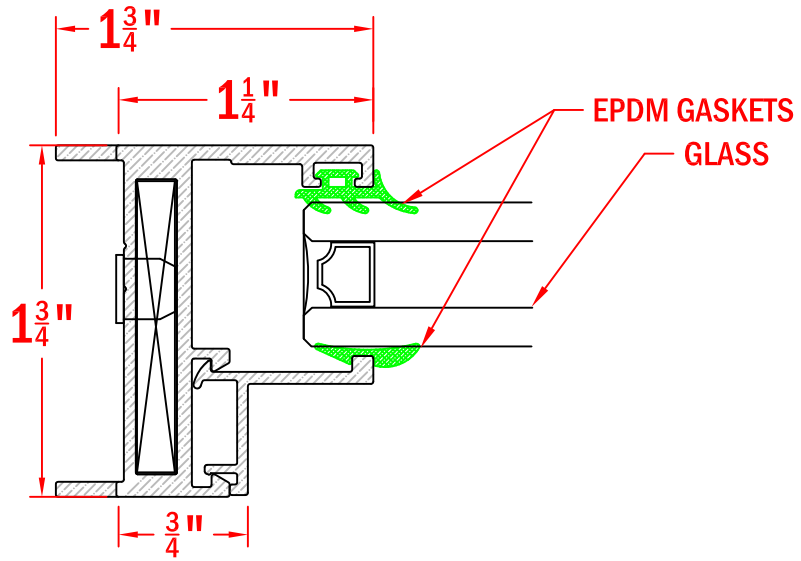
- SINGLE FRENCH DOOR



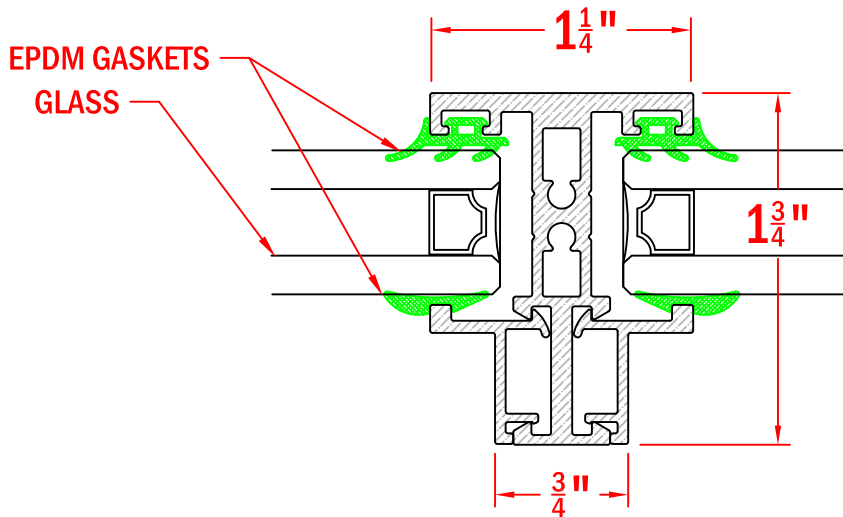
- DOUBLE FRENCH DOOR



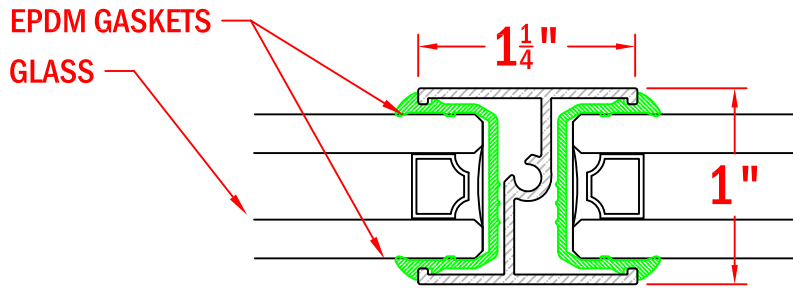




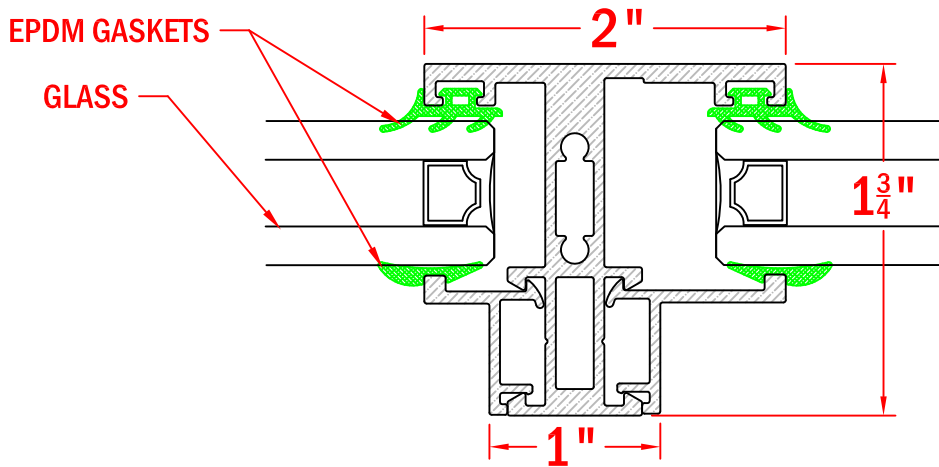
A FIXED FRAME



B FIXED MULLION
CASEMENT / CASEMENT

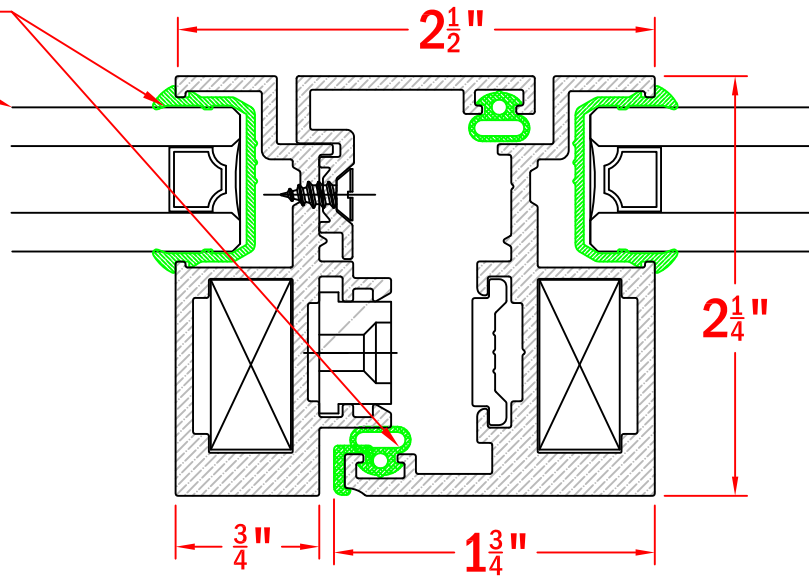


A CASEMENT MULLION



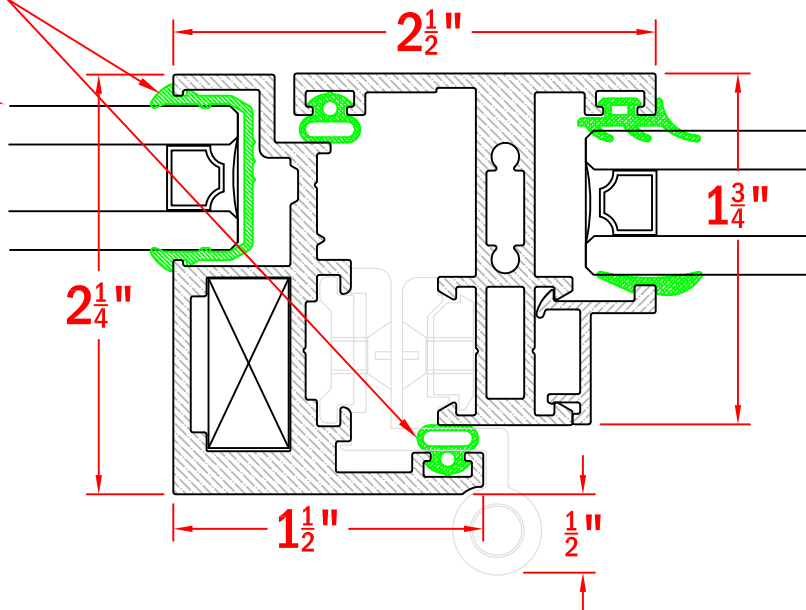
B MULLION

EPDM GASKETS
GLASS

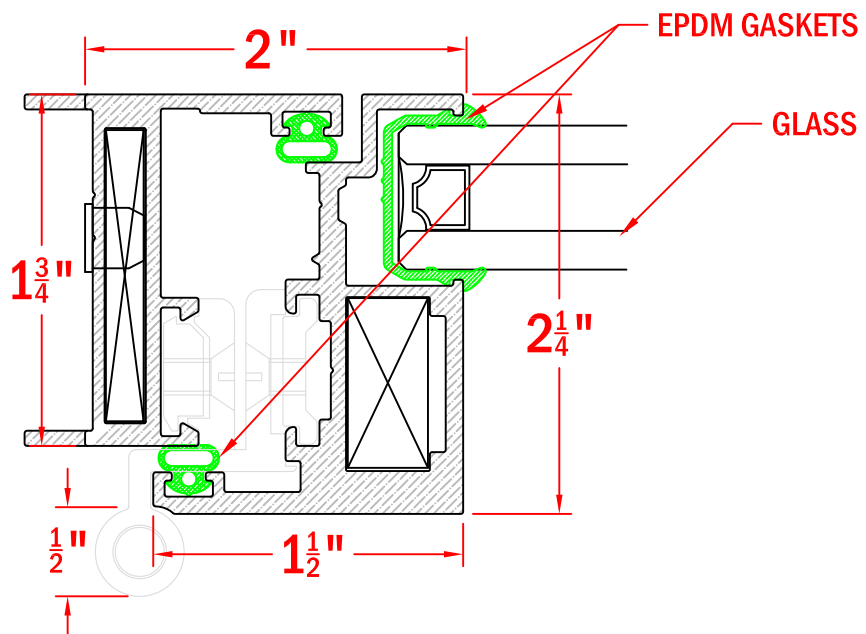


A CENTER MEETING STILE

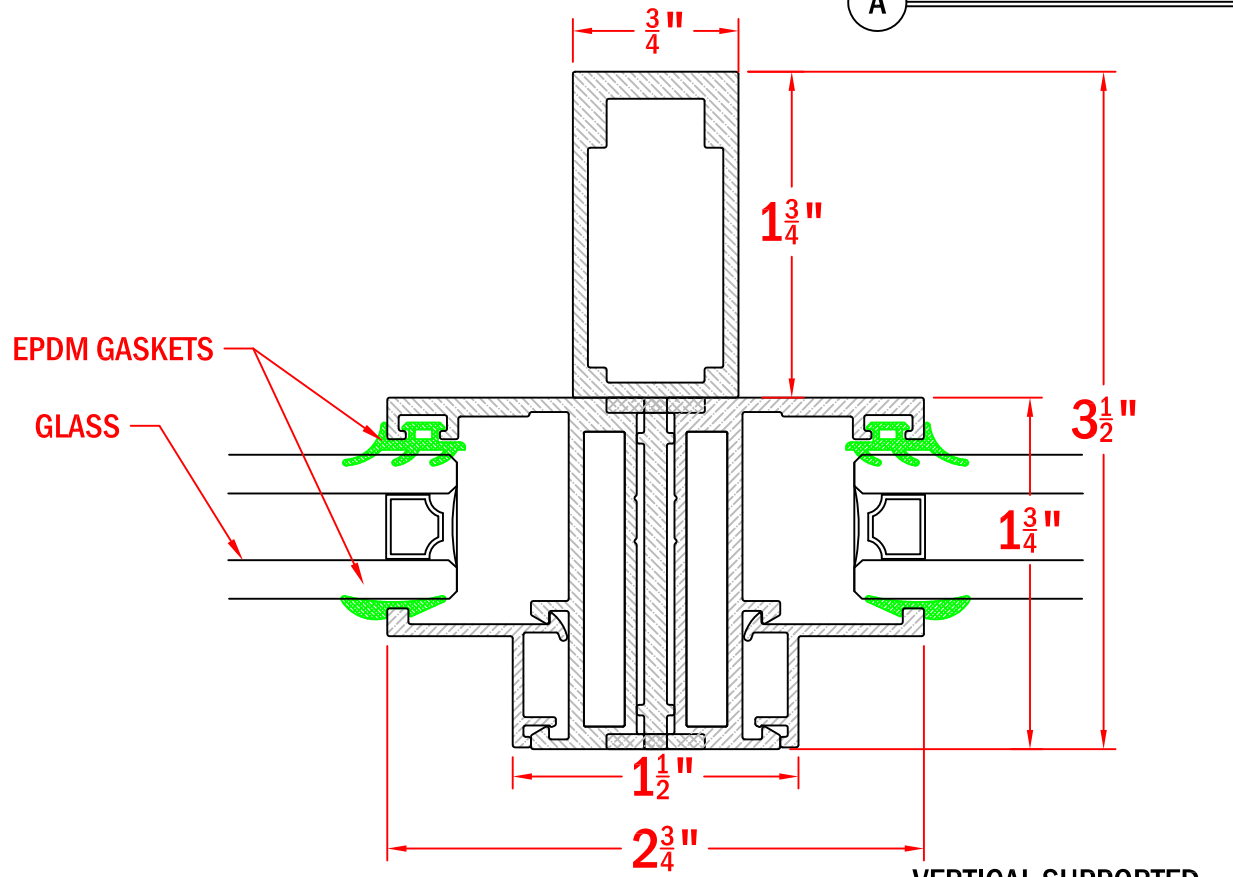
EPDM GASKETS
GLASS



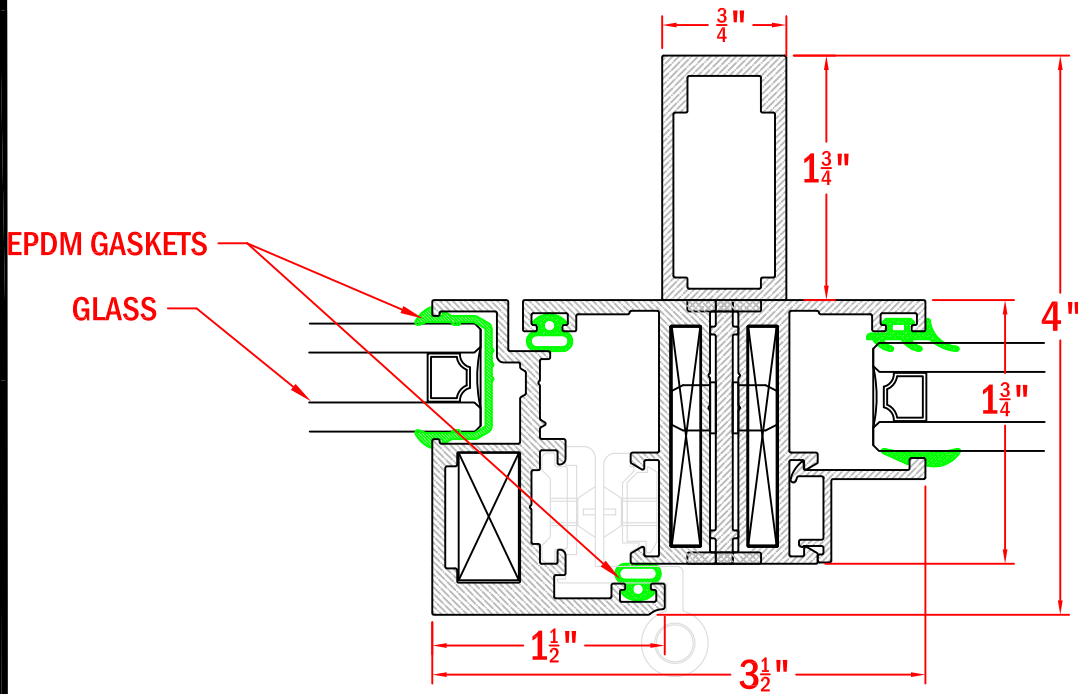
B CASEMENT / FIXED



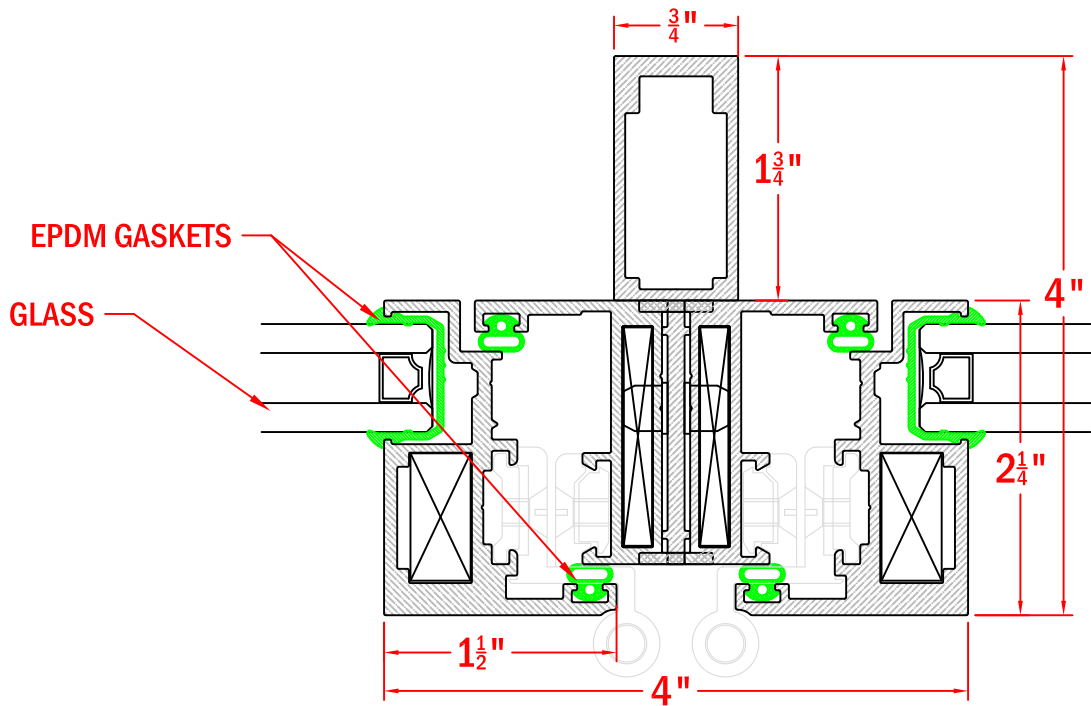
A CASEMENT FRAME



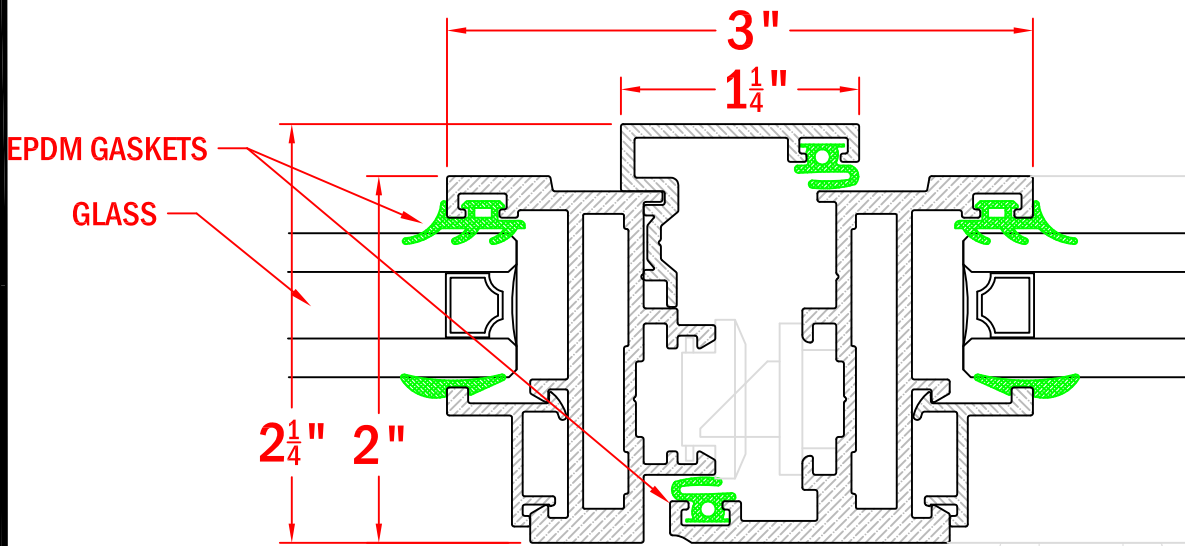
B VERTICAL SUPPORTED
FIXED / FIXED



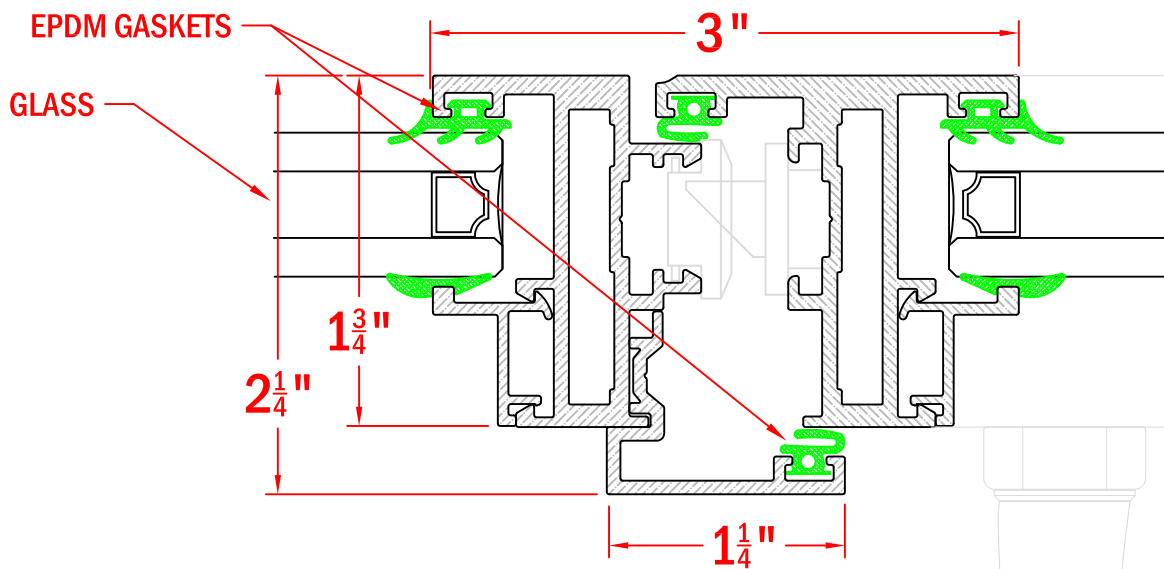
A VERTICAL SUPPORTED
FIXED / CASEMENT



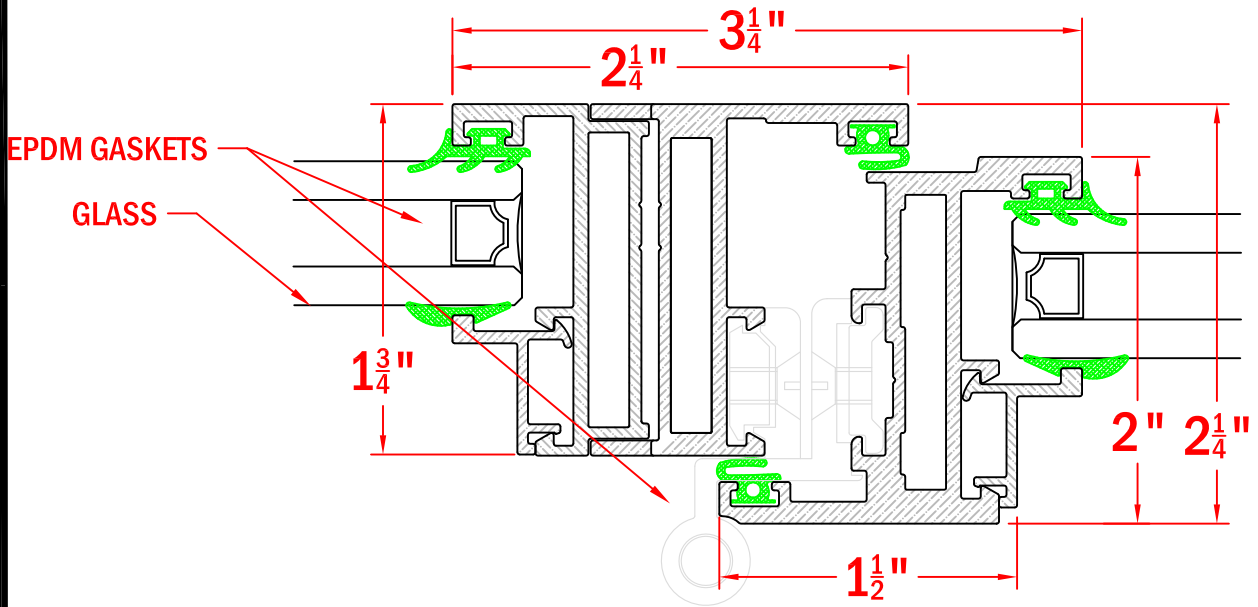
B VERTICAL SUPPORTED
CASEMENT / CASEMENT



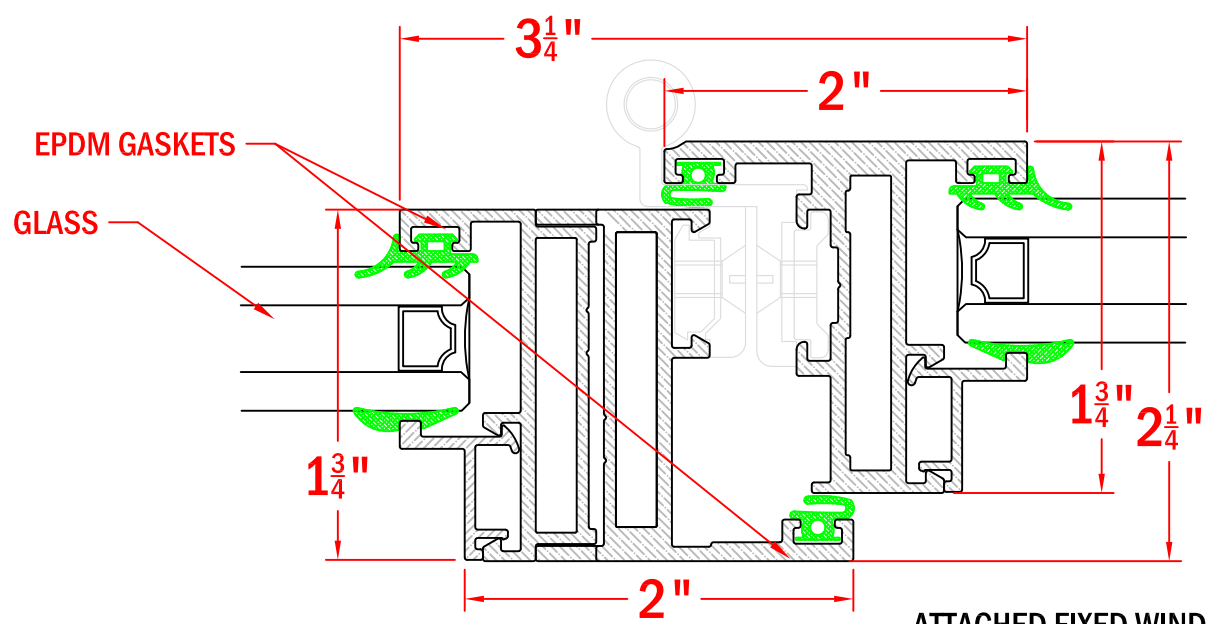
A CENTER MEETING STILE
FRENCH DOOR INSWING



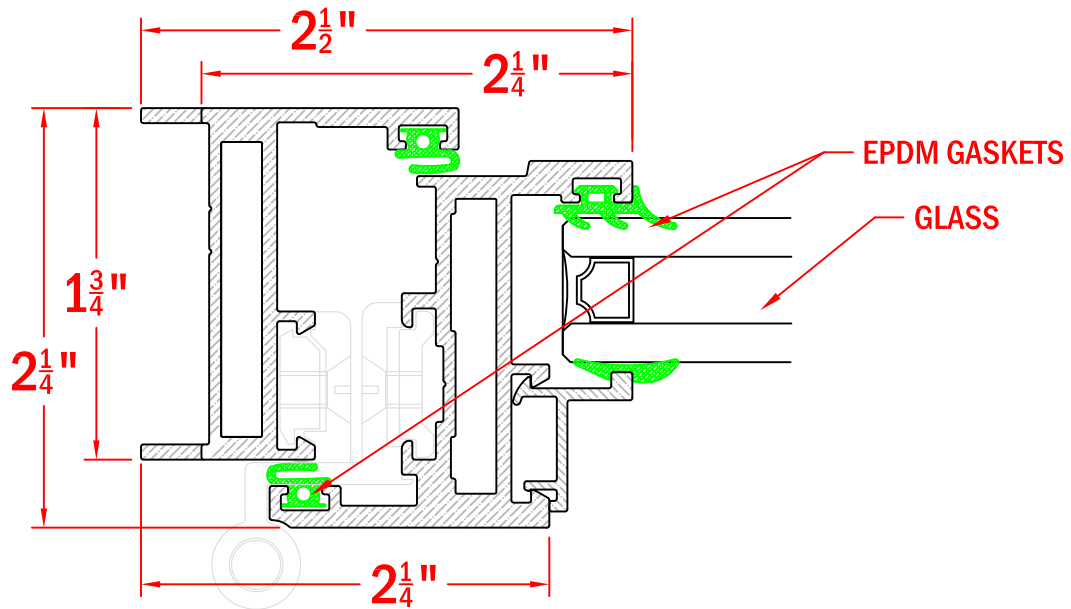
A CENTER MEETING STILE
FRENCH DOOR OUTSWING



A ATTACHED FIXED WINDOW
 FRENCH DOOR INSWING

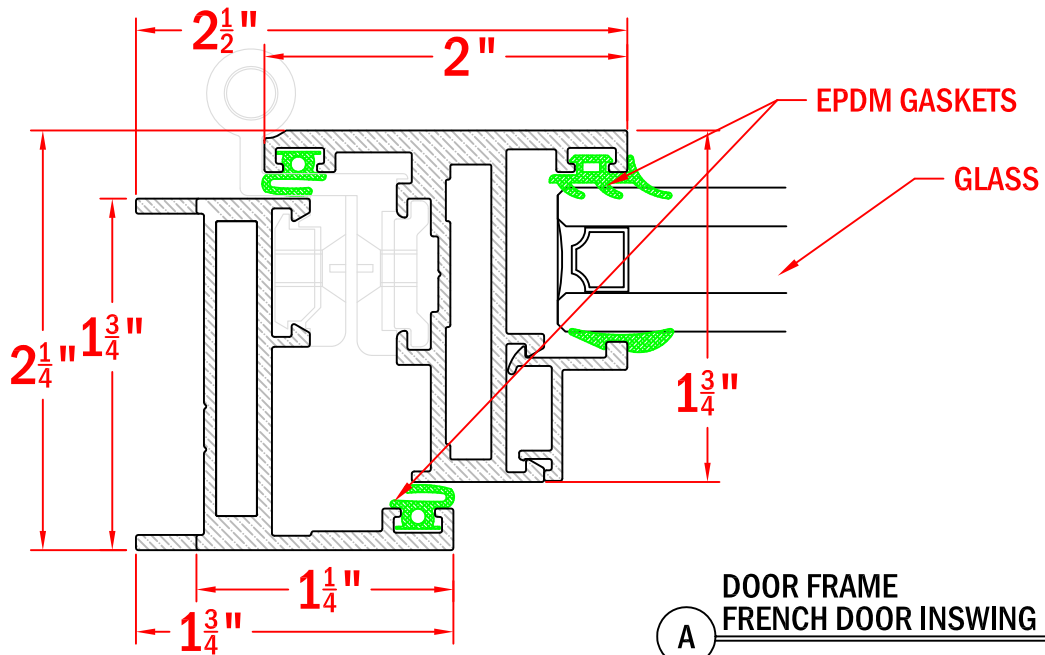


A ATTACHED FIXED WINDOW
 FRENCH DOOR INSWING



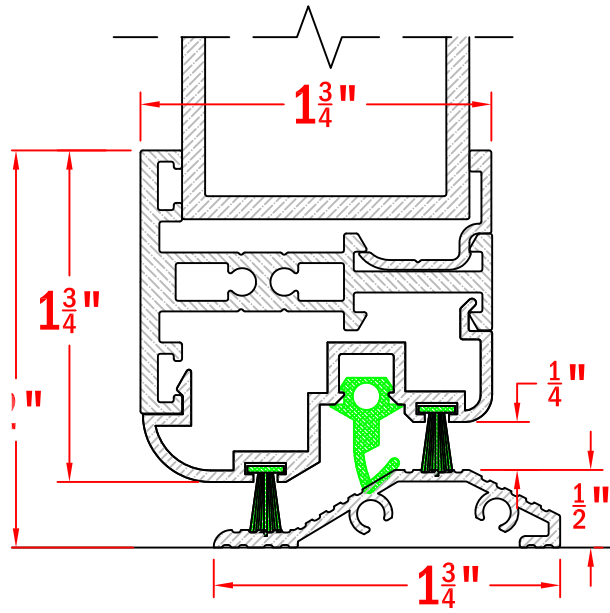
**DOOR FRAME
FRENCH DOOR INSWING**

A

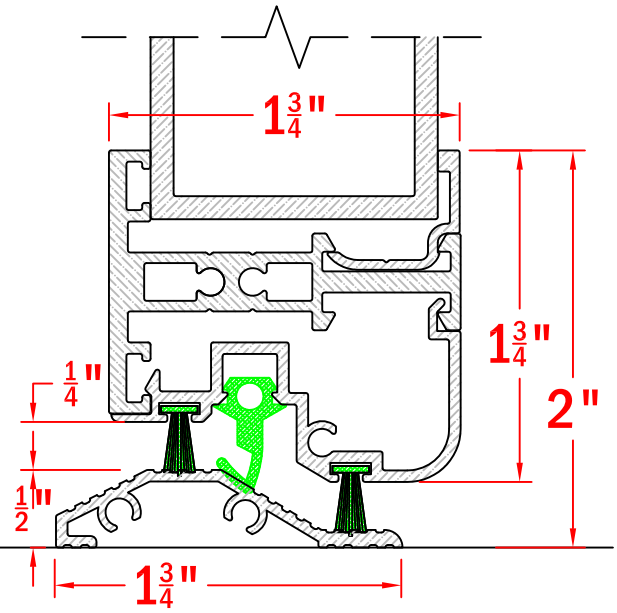


**DOOR FRAME
FRENCH DOOR INSWING**

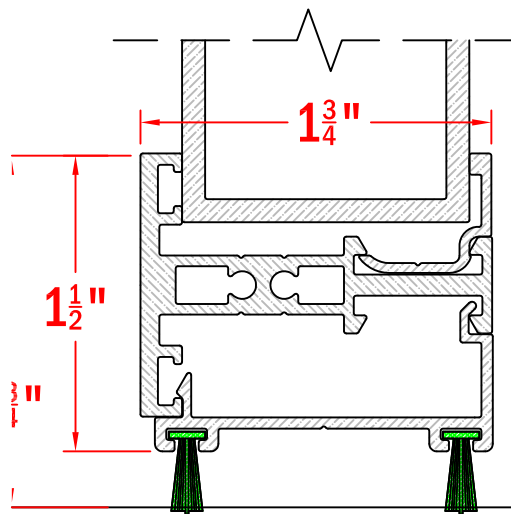
A



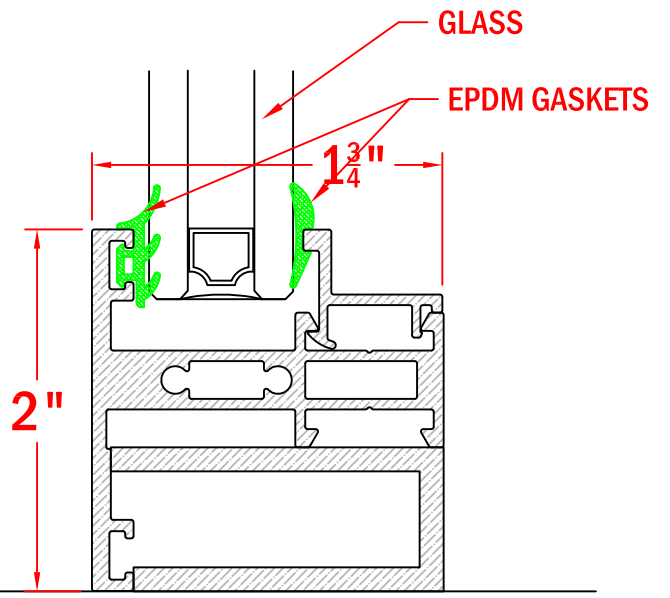
A THRESHOLD FRENCH DOOR OUTSWING



A THRESHOLD FRENCH DOOR INSWING



A ZERO THRESHOLD FRENCH DOOR



A SIDE LIGHT SILL FRENCH DOOR